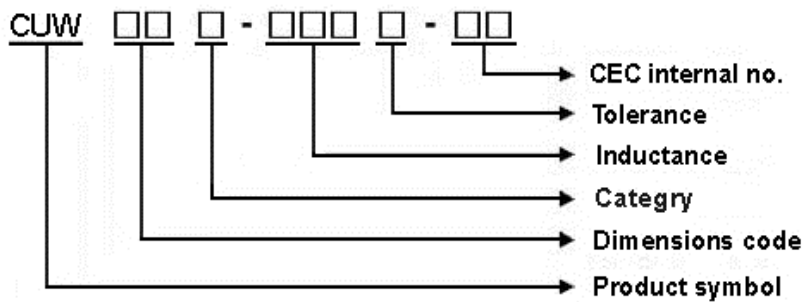


CUW43T Series Specification

AEC-Q200

1 Scope: This specification applies to CUW FILTER

2 Part Numbering:



3 Rating:

Operating Temperature: $-40^{\circ}\text{C} \sim 125^{\circ}\text{C}$ (Including self - temperature rise)

Storage Temperature: $20^{\circ}\text{C} \sim 25^{\circ}\text{C}$ R.H. 65% (In Tape & Reel Condition)

4 Marking:



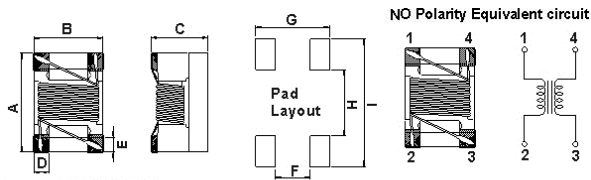
5 Standard Testing Condition

	Unless otherwise specified	In case of doubt
Temperature	Ordinary Temperature(15 to 35°C)	20 to 30°C
Humidity	Ordinary Humidity(25 to 85% RH)	50 to 80 %RH

CUW43T Series Specification

AEC-Q200

6 Configuration and Dimensions:



Dimensions in mm

TYPE	A	B	C	D	E	F	G	H	I
CUW43	4.5±0.2	3.2±0.2	2.6±0.2	0.8	0.7	1.6	3.4	3.0	5.9

7 Electrical Characteristics:

Part No.	L (uH)±30%	Test Freq.	Z (Ω)Min.	Z (Ω)Typ.	Test Freq. (MHz)	RDC (Ω)Max.	I _{rms} (mA)Max.	Rated Voltage (Vdc)Max.	Withstanding Voltage (Vdc)	Insulation Resistance (MΩ)Min.
CUW43T-113□-AU	11	100kHz,0.1V	300	600	10	0.6	250	50	125	10
CUW43T-223□-AU	22	100kHz,0.1V	500	1200	10	1	200	50	125	10
CUW43T-513□-AU	51	100kHz,0.1V	1000	2800	10	1	200	50	125	10
CUW43T-104□-AU	100	100kHz,0.1V	2000	5800	10	2	150	50	125	10

NOTE: □-tolerance T=±30%

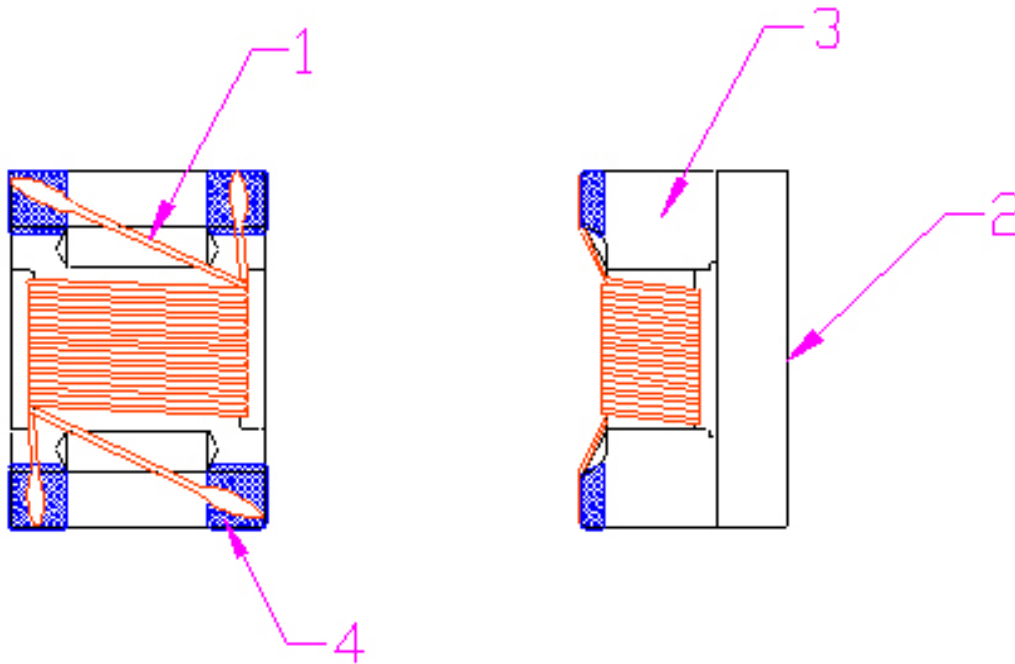
1. Operating temperature range - 4 0 °C ~ 1 2 5 °C (Including self - temperature rise)
2. RDC: SINGLE WIRE TEST VALUE
3. I_{rms} for a 40°C temperature rise from 25°C ambient.

CUW43T Series Specification

AEC-Q200

8 CUW43T Series

8.1 Construction:



8.2 Material List:

ITEM	PART	DESCRIPTION
1	WIRE	Grade 180
2	Cover sheet	FERRITE
3	CORE	FERRITE
4	TERMINAL	Ag/Cu/Ni/Sn

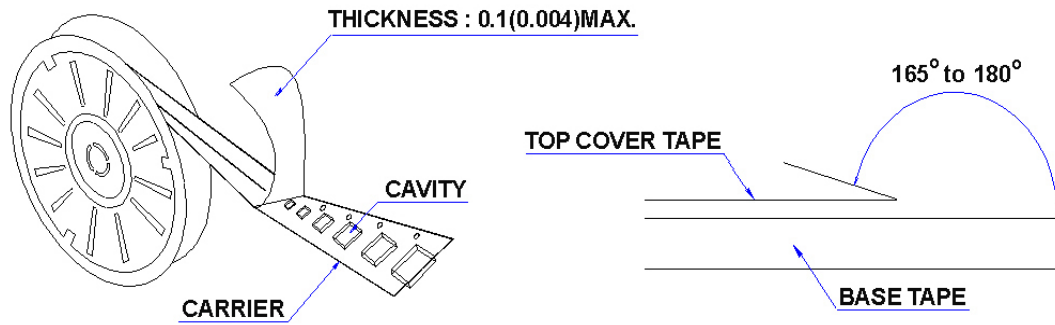
CUW43T Series Specification

AEC-Q200

9 Packaging:

9.1 Packaging -Cover tape

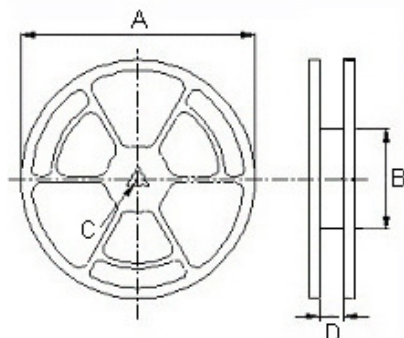
The force for tearing off cover tape is 10 to 130 grams in the arrow direction.



9.2 Packaging Quantity

TYPE	PCS/REEL
CUW43	2500

9.3 Reel Dimensions



Reel Dimension : m/m

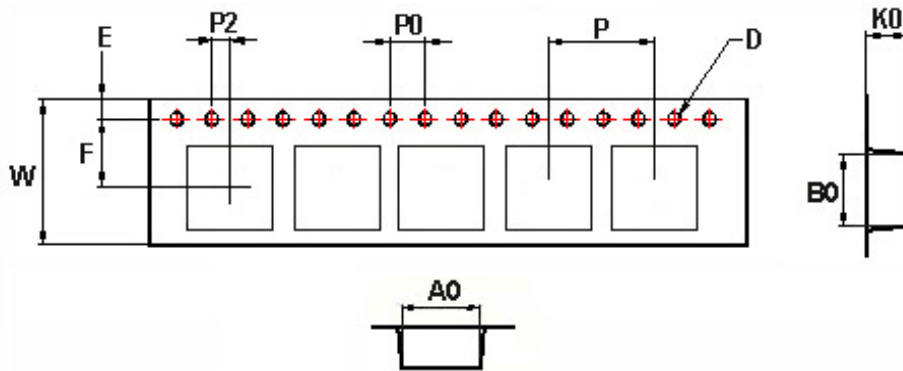
TYPE	A	B	C	D
CUW43	330	100	13	13.4

CUW43T Series Specification

AEC-Q200

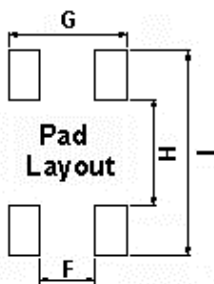
9 Packaging:

9.4 Tape Dimensions in mm



TYPE	A0	B0	K0	D	E	F	W	P	P0	P2
CUW43	3.6	4.9	3.0	1.5	1.75	5.5	12	8	4	2

10 Recommended Land Pattern:



Dimensions in mm

TYPE	F(m/m)	G(m/m)	H(m/m)	I(m/m)
CUW43	1.6	3.4	3.0	5.9

11 Note:

1. Please make sure that your product has been evaluated and confirmed against your specifications when our product is mounted to your product.
2. Do not knock nor drop.
3. All the items and parameters in this product specification have been prescribed on the premise that our product is used for the purpose, under the condition and in the environment agreed upon between you and us. You are requested not to use our product deviating from such agreement.
4. Please keep the distance between transformer/coil and other components (refer to the standard IEC 950)
5. The moisture sensitivity level (MSL) of products is classified as level 1.

CUW43T Series Specification

AEC-Q200

12 Graph: CUW43T-513T-AU

