

SPECIFICATIONS

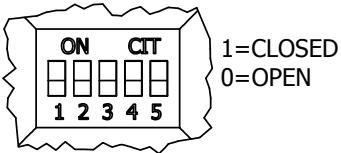
| PARAMETERS | VALUES | UNITS |
|-------------------------------|-------------------|------------|
| RATED VOLTAGE | 12 | Vdc |
| OPERATING VOLTAGE RANGE | 9 ~ 18 | Vdc |
| TONE OUTPUT | SEE 32 TONE CHART | - |
| CURRENT CONSUMPTION (NOMINAL) | SEE 32 TONE CHART | mA |
| INGRESS PROTECTION | IP54 | - |
| LENS COLOR | RED | - |
| FLASH RATE | 1 | PER/SECOND |
| CASE MATERIAL/COLOR | ABS/RED | - |
| TERMINAL | SCREW | - |
| OPERATING TEMPERATURE | -10 ~ +55 | °C |
| WEIGHT | 300 | grams |

THIS DOCUMENT CONTAINS DATA PROPRIETARY TO PROJECTS UNLIMITED, INC. ANY USE OR REPRODUCTION, IN ANY FORM, WITHOUT PRIOR WRITTEN PERMISSION OF PROJECTS UNLIMITED, INC. IS PROHIBITED.
©2003, Projects Unlimited Inc.

REVISION HISTORY

| LTR | DESCRIPTION | DATE | APPROVED |
|-----|--|------------|----------|
| - | RELEASED FROM ENGINEERING | 12/15/2005 | |
| A | ADDED RoHS & BASE NOTES | 5/21/2007 | R.W. |
| B | REVISED DETAIL "A" DIL SWITCH | 3/12/2009 | B.R. |
| C | REVISED TO INVENTOR 3-D DRAWING TEMPLATE | 5/17/2010 | B.R. |

DETAIL "A"



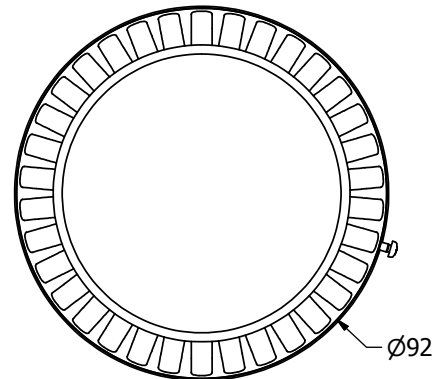
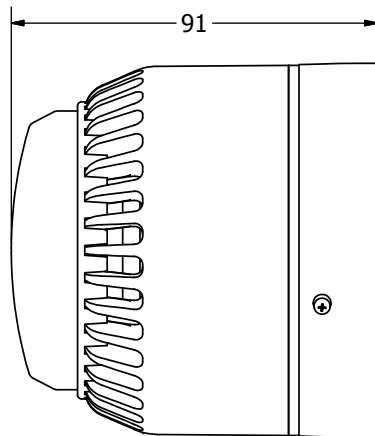
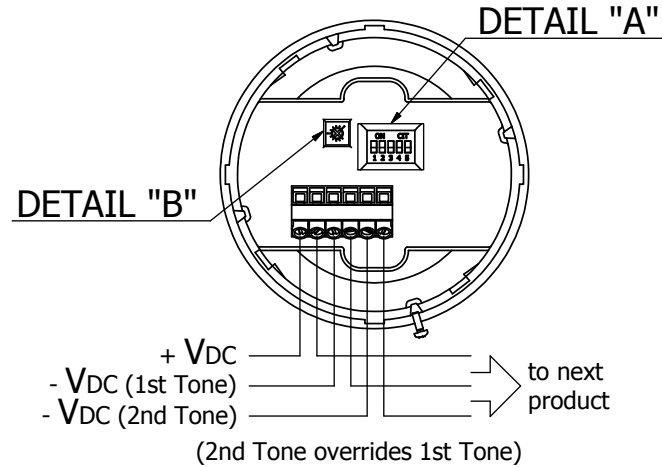
DETAIL "B" VOLUME CONTROL



OPTIONAL BASES
DEEP BASE: AWA-DBR
U BASE: AWA-UBR
120Vac BASE: AWA-DBR-120

NOTES:

1. ALL DIMENSIONS ARE IN MILLIMETERS.
2. SPECIFICATIONS SUBJECT TO CHANGE OR WITHDRAWAL WITHOUT NOTICE.
3. THIS PART IS RoHS 2002/95/EC COMPLIANT.
4. IP65 WITH USE OF AWA-DBR, AWA-DBR-120, OR AWA-UBR BASE.



| | | | | | | | | |
|--|------|-------------|------------------------|------------|------------|-------------|------------|------------|
| UNLESS OTHERWISE SPECIFIED: DIMENSIONS ARE IN MILLIMETERS, TOLERANCES ARE ±0.5 AND ANGLES ARE ±3°. | SIZE | Designed by | Date | Checked by | Date | Approved by | Date | Drawn Date |
| | A3 | J.A.F. | 12/15/2005 | E.P. | 12/15/2005 | B.R. | 12/15/2005 | 5/17/2010 |
| AVW-15SBR-RL-12.idw | | | AVW-15SBR-RL-12 | | | | | |
| | | | Siren | | | | Edition | Sheet |
| | | | | | | | - | 1 / 1 |