



EOL3-277-20KA

Patent-pending 3-Pole In-Line Fused Surge Protector for LED Drivers & Electronic Ballasts. Indicator LED turns on at end-of-life.

Features

- This 4-leaded device protects Line-Ground, Line-Neutral, and Neutral-Ground in accordance with IEEE / ANSI C62.41.2 guidelines
- Provides additional protection at End-of-Life by opening voltage to the fixture and turning off the fixture
- LED indicator will light when the EOL3 has reached End-of-Life. This provides positive indication that the EOL3 needs to be replaced.
- Indicator flashes at "power-up" to provide confirmation that LED is functional.
- Two models:
 - EOL3-277-20KA-L includes a local LED indicator (blue)
 - EOL3-277-20KA-R is designed to operate a remotely-mounted LED indicator (*Purchased separately.*)
- Protects against surges according to IEEE C62.41.2 C High (20kA and 10kV)
- Protects against surges according to ANSI C136.2
- Max surge current = 20,000 Amps using industry standard 8/20 μ Sec wave
- 7.0 Amp maximum load
- Surge Location Rated Category C3
- UL Recognized Component in the United States and Canada (UL1449)
- Complies with IEC 61643-11; 8.3.4.3
- High temp, flameproof plastic enclosure; 85°C max surface temp rating
- Remote-mount LED indicator assembly requires a 0.25" mounting hole
- Patent Pending
- **EOL3-277-20KA** is for use with any 100-277V power supply, LED Driver, e-HID Ballast, Electronic Fluorescent Ballast, Induction Generator

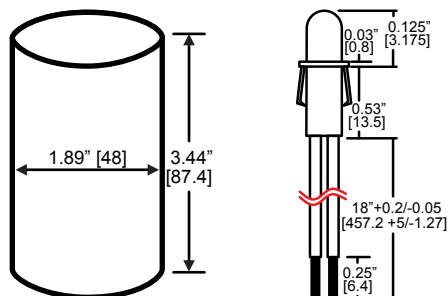
EOL3-277-20KA is designed for use in conjunction with LED Drivers to provide an additional level of protection against powerline disturbances in industrial and commercial applications. Also protects electronic fluorescent and HID ballasts.



Part Number	Mains Voltage	Continuous Max Voltage Rating		Max Clamping Voltage 8/20 μ S @ 20kA	LED	UL1449
		AC	DC			
EOL3-277-20KA-L	100-277V	320	420	1600	Local	●
EOL3-277-20KA-R	100-277V	320	420	1600	Remote	●
EOL3-LED-18-B	LED (blue) assembly with 18" leads					

Dimensions (Nom.)

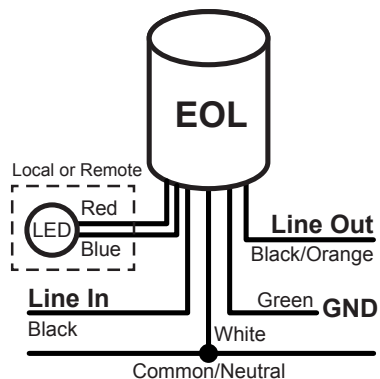
Leads: 6", stripped 0.63" Weight: 0.6 lbs / 272g



Pulse rating (8 x 20 μ Sec)	
Strikes	Surge
1	20,000 A
2	15,000 A
15	10,000 A
120	3,000 A

	cRUus	CE
I _n	10kA	5kA

Wiring



★ **MADE IN USA** ★
Of Imported And Domestic Components



Specifications subject to change without notice.

Rev 1-7-15