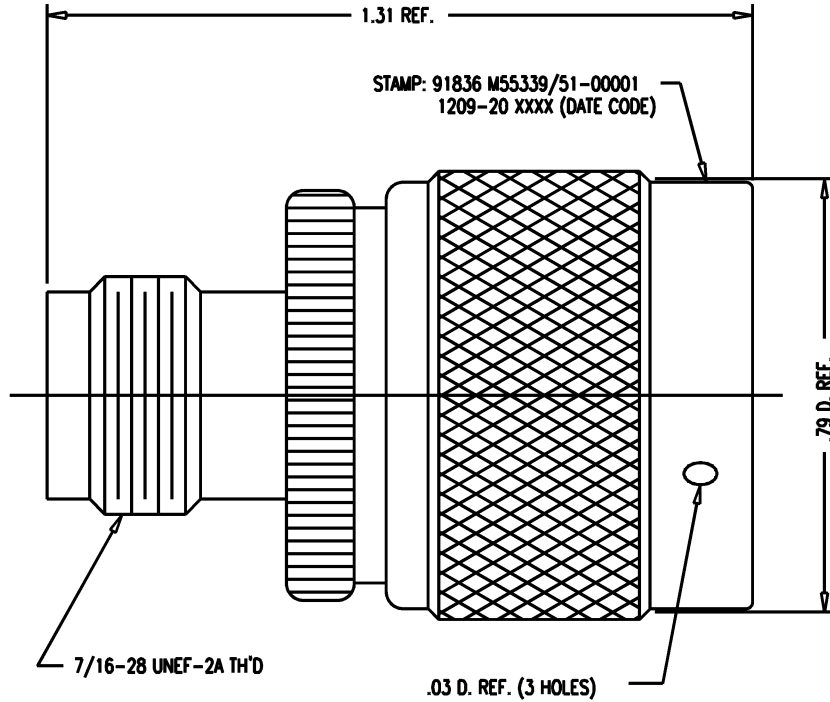


GSD



- NOTES:**
1. TNC INTERFACE PER MIL-STD-348, FIG. 313-2 & N INTERFACE PER MIL-STD-348, FIG. 304-1.
 2. MATERIALS:
 - INSULATOR-TEFLON, ASTM-D-4894
 - GASKET-SILICONE RUBBER, ZZ-R-765
 - C-RING-PHOS. BRONZE, ASTM-B-135
 - OUTER CONTACT } BER. COP., ASTM-B-196
 - CENTER CONTACT }
 - ALL OTHER METAL PARTS-BRASS, ASTM-B16
 3. FINISHES:
 - CENTER CONTACT-GOLD PLATE PER MIL-STD-45204
 - ALL OTHER METAL PARTS-SILVER PLATE PER QQ-S-365
 4. ELECTRICAL CHARACTERISTICS:
 - FREQUENCY RANGE-DC TO 11 GHZ
 - NOMINAL IMPEDANCE-50 OHMS
 - WORKING VOLTAGE-500 VRMS

M55339/51-00001

REVISIONS	
ISSUE	CHANGES
5	CN 36540 C REDRAWN KH 08/30/95

SCALE 4:1	
APPROX SURFACE AREA	
1209-20	
USED ON	
REF:	
ADPT, TNC-N, F-M	
DRAWN	KH 08/30/95
DESIGN	AR 08/31/95
APPR.	DATE

KINGS
ELECTRONICS CO., INC.
TUCKAHOE, NEW YORK 10707

M55339/51-00001

GSD

KAM6027