

# MRKC1052B-C-10

## Key Switches



RoHS Compliant



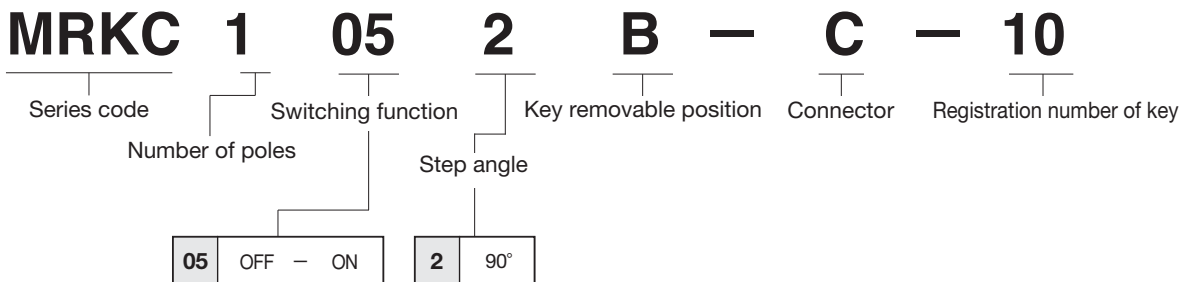
### ■ Features

1. Dedicated Key For High Security
2. Connector Interface For Easy Connection
3. Non-Removable From the Outside Due to Nut-fixing System
4. Key Removal Position Indicated With a Red Mark
5. Gold-Plated Contact For High Reliability

### ■ Specifications

Rating	35VDC 100mA MAX. (Resistive load)
Initial contact resistance	200mΩ max. (0.5mA 200μVAC)
Insulation resistance	100MΩ min. (100VDC)
Dielectric strength	250VAC 1 minute
Operating force	2.94±1.47N·cm
Operating temperature range	-20°C~+85°C

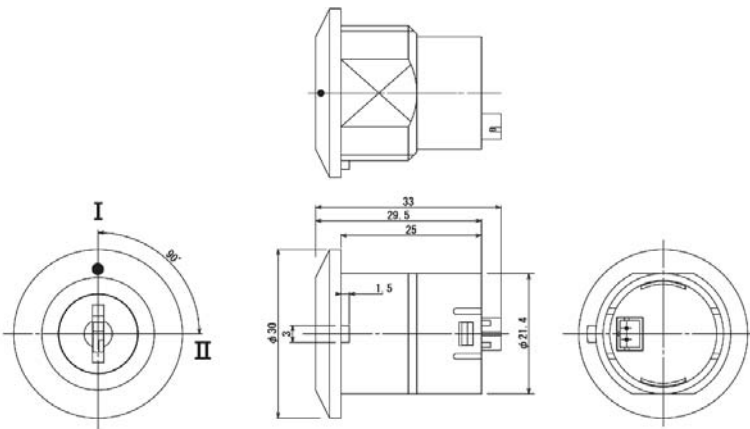
### ■ Part Numbering



# MRKC1052B-C-10

## ■ Outline Dimensions

### ★MRKC1052B-C-10



Circuit Characteristics		
Circuit Arrangement		Circuit Diagram
I POS.	II POS.	
OFF	ON	
—	(C) — (1)	

## ■ Standard Accessories

Part Name	<b>Key</b>
Series	<b>MRKC1052B-C-10</b>
Part No.	<b>140009003423</b>
Dimensions	<p>Key ID number</p>
Grip material	<b>Metal</b>

● Each switch comes with one key.

## ■ Panel Cut Dimensions

