

# PI84

## Relay Socket Combination

PI84



GZT80 socket

Relay: RM84 (see page 76 for detailed information)

Socket GZT80/GZM80 (see page 81 for detailed information)

### Technical Information

Current .....8 A  
 Voltage.....250V AC / 24V DC  
 Wire Range.....2.5 mm<sup>2</sup> / 24-14 AWG  
 Torque.....0.7 Nm

PI84



GTM80 socket

### GZT80 Socket - PI84 DPDT AC 50/60Hz & DC coil

Part Number	Coil Voltage (V)	Coil Type	Coil Resistance at 20°C in Ω	Coil Operating Range		Type of Module
				min. (at 20°C)	max. (at 55°C)	
PI84-12DC-M41G	12	DC	360	8.4	30.6	M41G*
<b>PI84-24DC-M41G</b>	24	DC	1440	16.8	61.2	M41G*
PI84-110DC-M43G	110	DC	25200	77.0	280.0	M43G*
PI84-12DC-M91G	12	DC	360	8.4	30.6	M91G**
<b>PI84-24DC-M91G</b>	24	DC	1440	16.8	61.2	M91G**
PI84-110DC-M93G	110	DC	25200	77.0	280.0	M93G**
<b>PI84-120AC-M93G</b>	120	AC 50/60Hz	10200	96.0	144.0	M93G**
PI84-230AC-M93G	230	AC 50/60Hz	38500	184.0	276.0	M93G**

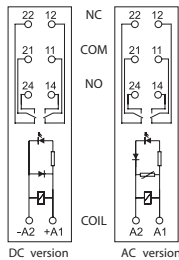
### GZM80 Socket - PI84 DPDT AC 50/60Hz & DC coil

Part Number	Coil Voltage (V)	Coil Type	Coil Resistance at 20°C in Ω	Coil Operating Range		Type of Module
				min. (at 20°C)	max. (at 55°C)	
PI84-012DC-00LD	12	DC	360	8.4	30.6	M41G*
PI84-024DC-00LD	24	DC	1440	16.8	61.2	M41G*
PI84-110DC-00LD	110	DC	25200	77.0	280.0	M43G*
PI84-012DC-00LV	12	DC	360	8.4	30.6	M91G**
PI84-024DC-00LV	24	DC	1440	16.8	61.2	M91G**
PI84-110DC-00LV	110	DC	25200	77.0	280.0	M93G**
PI84-120AC-00LV	120	AC 50/60Hz	10200	96.0	144.0	M93G**
PI84-230AC-00LV	230	AC 50/60Hz	38500	184.0	276.0	M93G**

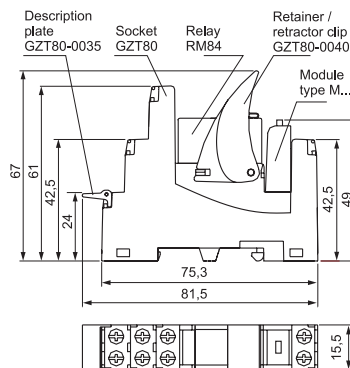
\* Module LD (polarization N) It limits overvoltage on DC coils. Coil energizing indication. \*\* Module LV It limits overvoltage on AC and DC coils. Coil energizing indication.

### PI84-GZT80

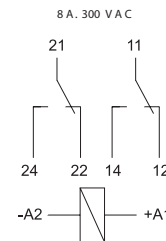
#### CONNECTION DIAGRAMS



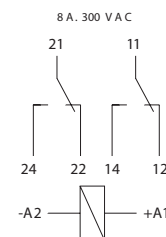
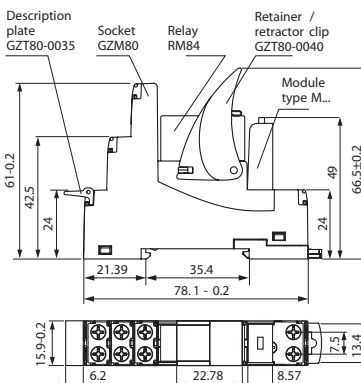
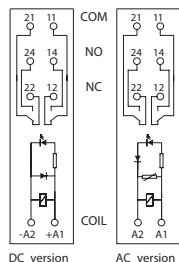
#### DIMENSIONS



#### CONNECTION



### PI84-GZM80



► **BOLD** - Regular stocked items.

All accessories are included.

# PI85

## Relay Socket Combination



Relay: RM85 (see page 76 for detailed information)

Socket GZT80/GZM80 (see page 81 for detailed information)

### Technical Information

Current .....16 A  
 Voltage.....250V AC / 24V DC  
 Wire Range.....2.5 mm<sup>2</sup> / 24-14 AWG  
 Torque.....0.7 Nm



### GZT80 Socket - PI85 DPDT AC 50/60Hz & DC coil

Part Number	Coil Voltage (V)	Coil Type	Coil Resistance at 20°C in Ω	Coil Operating Range		Type of Module
				min. (at 20°C)	max. (at 55°C)	
PI85-12DC-M41G	12	DC	360	8.4	30.6	M41G*
<b>PI85-24DC-M41G</b>	24	DC	1440	16.8	61.2	M41G*
PI85-110DC-M43G	110	DC	25200	77.0	280.0	M43G*
PI85-12DC-M91G	12	DC	360	8.4	30.6	M91G**
<b>PI85-24DC-M91G</b>	24	DC	1440	16.8	61.2	M91G**
PI85-110DC-M93G	110	DC	25200	77.0	280.0	M93G**
<b>PI85-120AC-M93G</b>	120	AC 50/60Hz	10200	96.0	144.0	M93G**
PI85-230AC-M93G	230	AC 50/60Hz	38500	184.0	276.0	M93G**

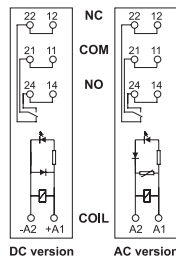
### GZM80 Socket - PI85 DPDT AC 50/60Hz & DC coil

Part Number	Coil Voltage (V)	Coil Type	Coil Resistance at 20°C in Ω	Coil Operating Range		Type of Module
				min. (at 20°C)	max. (at 55°C)	
PI85-012DC-00LD	12	DC	360	8.4	30.6	M41G*
PI85-024DC-00LD	24	DC	1440	16.8	61.2	M41G*
PI85-110DC-00LD	110	DC	25200	77.0	280.0	M43G*
PI85-012DC-00LV	12	DC	360	8.4	30.6	M91G**
PI85-024DC-00LV	24	DC	1440	16.8	61.2	M91G**
PI85-110DC-00LV	110	DC	25200	77.0	280.0	M93G**
PI85-120AC-00LV	120	AC 50/60Hz	10200	96.0	144.0	M93G**
PI85-230AC-00LV	230	AC 50/60Hz	38500	184.0	276.0	M93G**

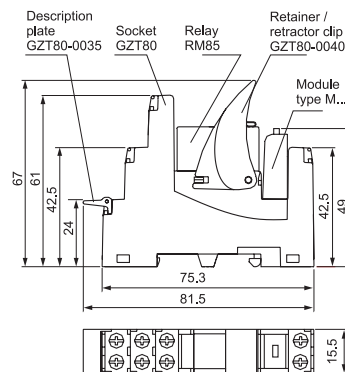
\* Module LD (polarization N) It limits overvoltage on DC coils. Coil energizing indication. \*\* Module LV It limits overvoltage on AC and DC coils. Coil energizing indication.

### PI85-GZT80

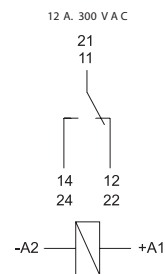
#### CONNECTION DIAGRAMS



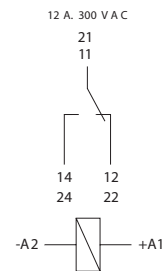
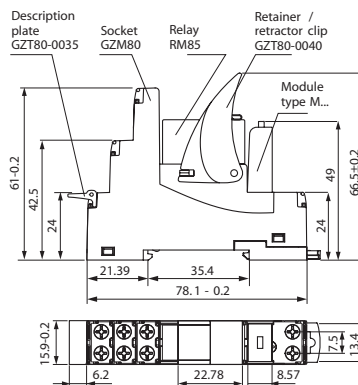
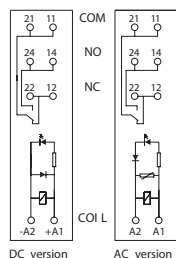
#### DIMENSIONS



#### CONNECTION



### PI85-GZM80



► BOLD - Regular stocked items.

All accessories are included.