

GL1500, 2500, 3500 SERIES

IN-LINE HIGH CURRENT SILICON BRIDGE RECTIFIERS VOLTAGE - 50 to 800 Volts CURRENT - 15 to 35 Amperes

FEATURES

- Plastic Case With Heatsink For Heat Dissipation
- Surge Overload Ratings to 400 Amperes
- The plastic package has Underwriters Laboratory Flammability Classification 94V-O

MECHANICAL DATA

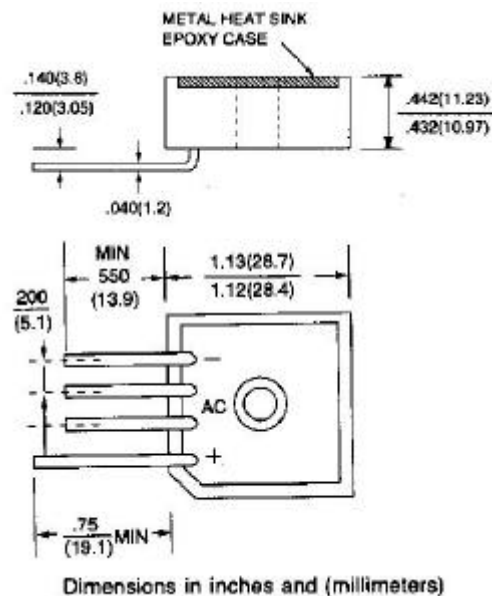
Case: Molded plastic with heatsink integrally mounted in the bridge Encapsulation

Weight: 1 ounce, 30 grams

Mounting position: Any

Terminals: Wire Lead 50 mils

GL



MAXIMUM RATINGS AND ELECTRICAL CHARACTERISTICS

Inductive or resistive Load at 60Hz. For capacitive load derate current by 20%.

All Ratings are for $T_C=25$ unless otherwise specified.

	-00	-01	-02	-04	-06	-08	UNITS
Max Recurrent Peak Reverse Voltage	50	100	200	400	600	800	V
Max RMS Input Voltage	35	70	140	280	420	560	V
Max DC Blocking Voltage	50	100	200	400	600	800	V
DC Output Voltage, Resistive Load	30	62	124	250	380	505	V
DC Output Voltage, Capacitive Load	50	100	200	400	600	800	V
Max Average Forward Current for Resistive Load at $T_C=55$	GL15		15				A
	GL25		25				A
	GL35		35				A
Non-repetitive Peak Forward Surge Current at Rated Load	GL15		300				A
	GL25		300				A
	GL35		400				A
Max Forward Voltage per Bridge Element at Specified Current	GL15 I_F 7.5A			1.2			V
	GL25 12.5A						
	GL35 17.5A						
Max Reverse Leakage Current @ $T_A=25$ at Rated DC Blocking Voltage @ $T_A=100$			10				A
			1000				
I^2t Rating for fusing ($t < 8.3ms$)			374 / 664				A ² s
Typical Thermal Resistance (Fig. 3) R _{JC}			2.0				/W
Operating Temperature Range T_J			-55 to +150				
Storage Temperature Range T_A							

RATING AND CHARACTERISTIC CURVES

GL1500 THRU GL3500

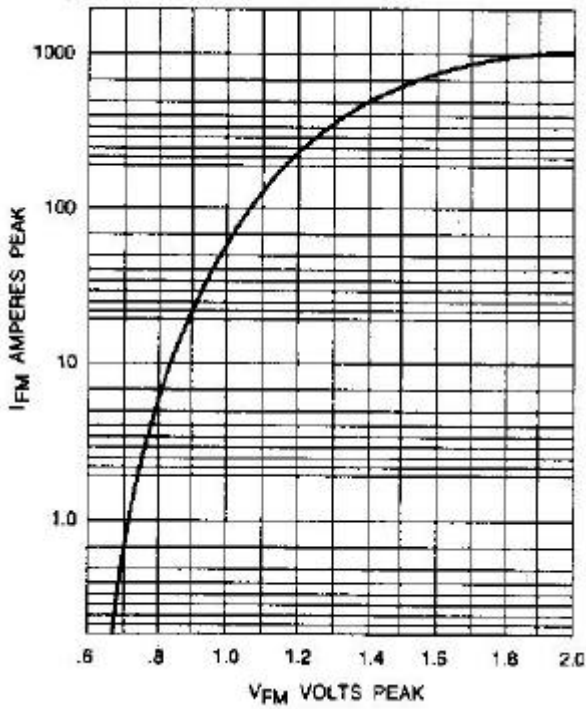


Fig. 1-TYPICAL INSTANTANEOUS FORWARD CHARACTERISTICS AT $T_J=25$

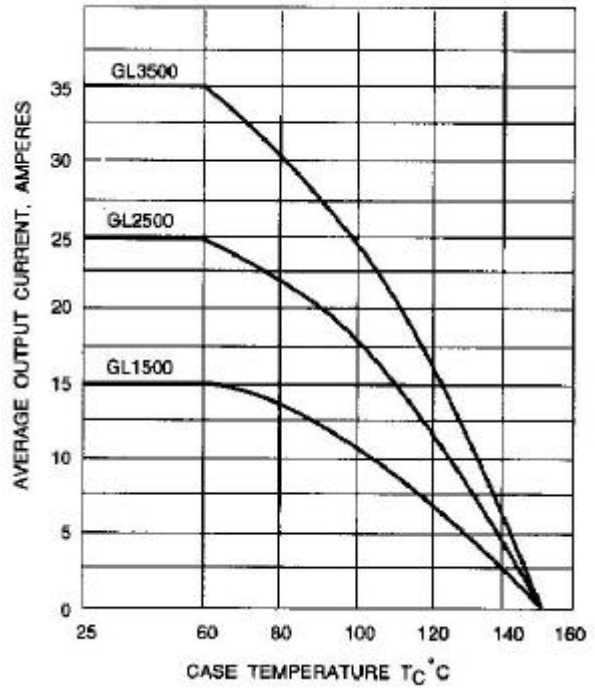


Fig. 2-OUTPUT CURRENT VS. CASE TEMPERATURE RESISTIVE OR INDUCTIVE LOAD $T_J=175$

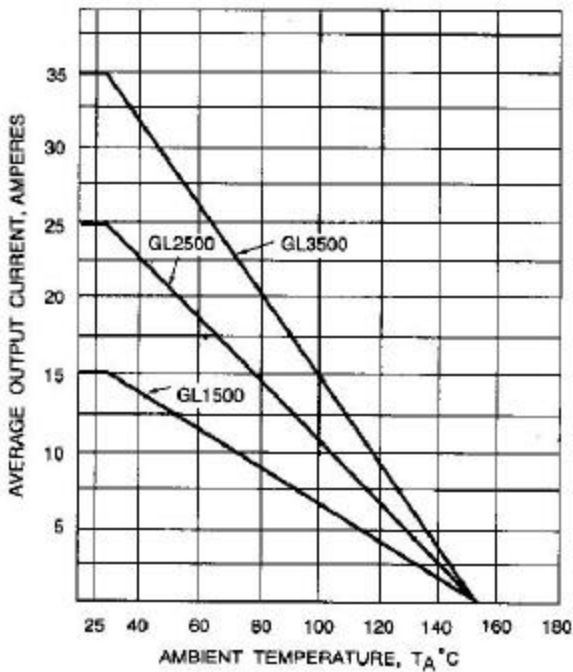


Fig. 3-OUTPUT CURRENT VS. AMBIENT TEMPERATURE RESISTIVE OR INDUCTIVE LOAD BRIDGE MOUNTED ON A8"×8" ALUMINUM PLATE 25" THICK

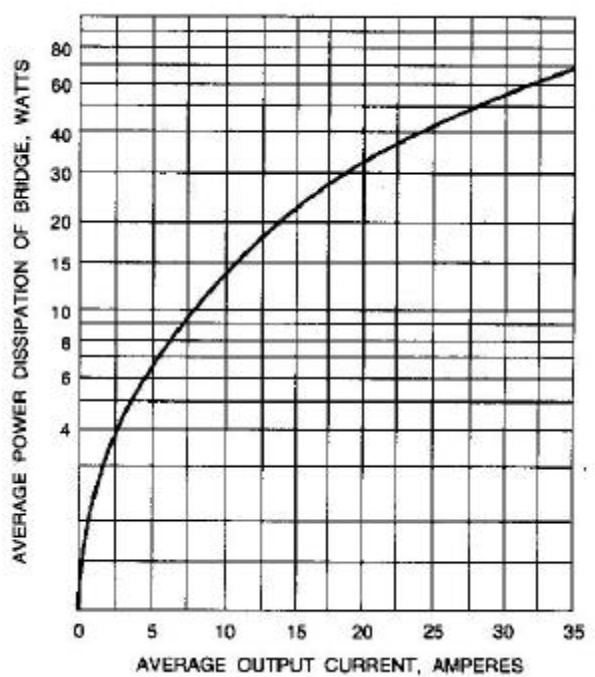


Fig. 4-POWER DISSIPATION VS. AVERAGE OUTPUT CURRENT RESISTIVE OR INDUCTIVE LOAD, $T_J=175$