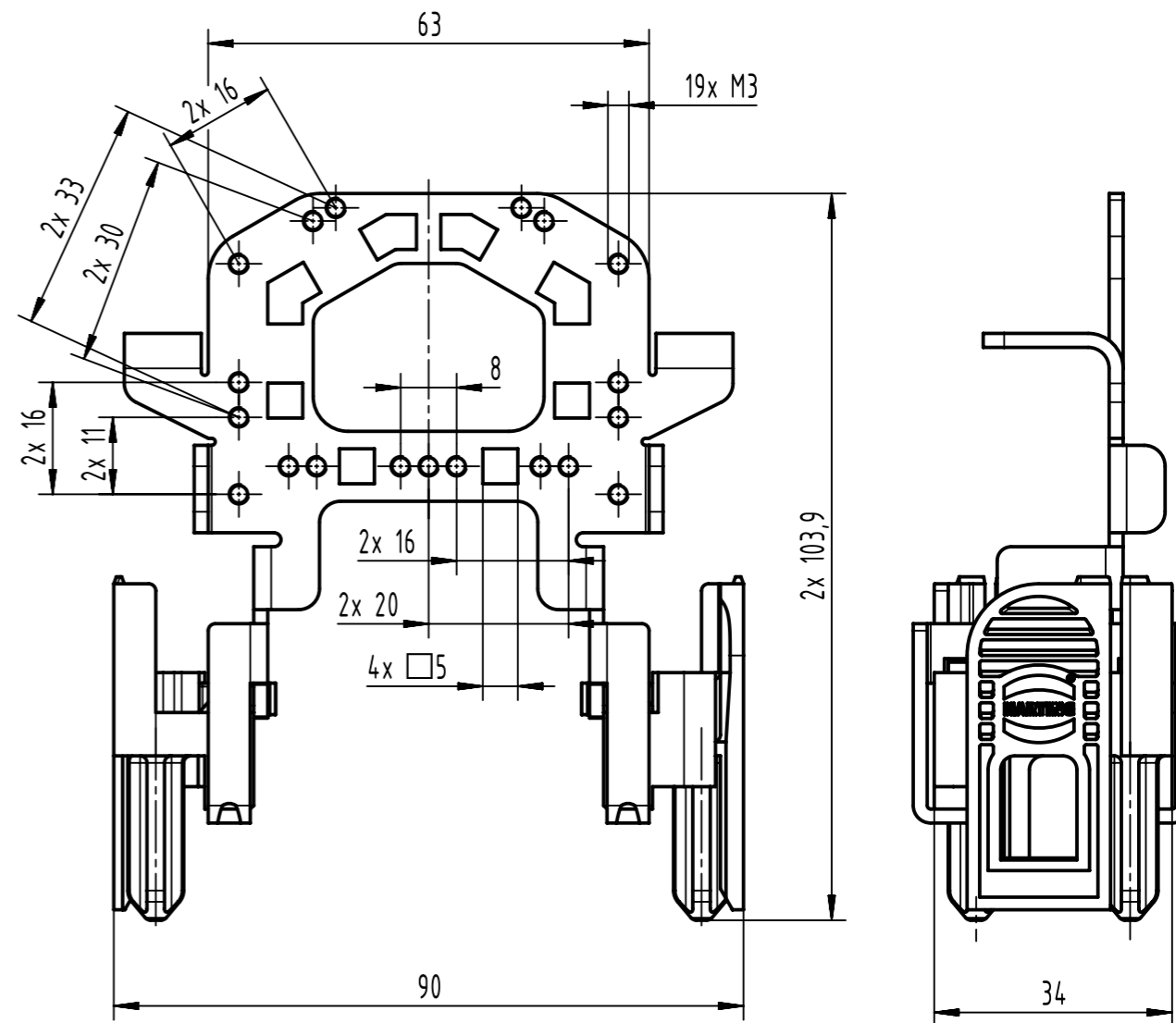
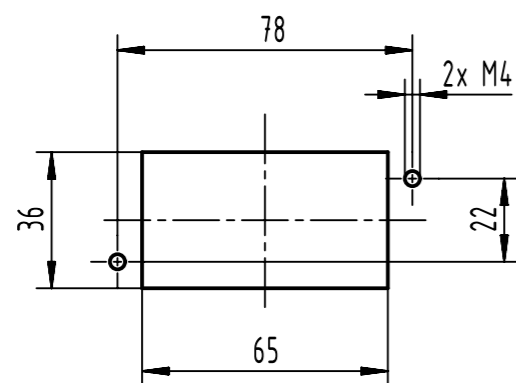


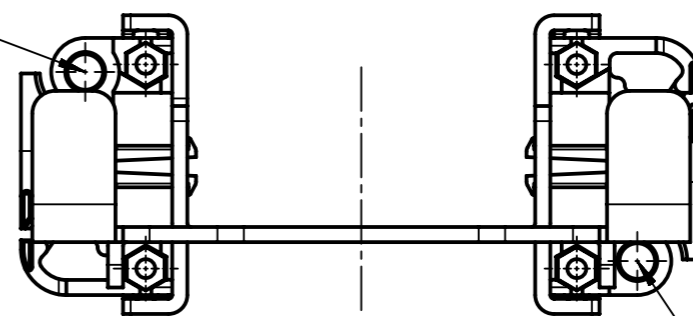
① are not included in the scope of delivery



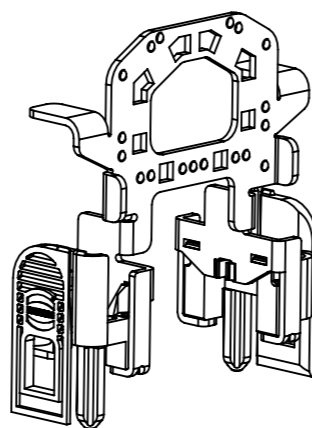
panel cut out (1:2)



position for coding pin
09 12 000 9901



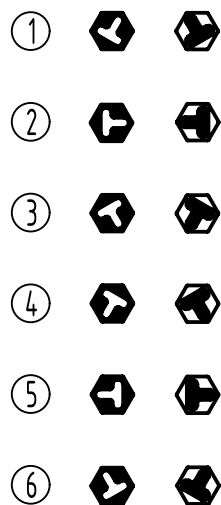
position for coding pin
09 12 000 9901



	All Dimensions in mm Original Size DIN A3		Scale 1:1	Free size tol.		Ref.
	All rights reserved		Created by 100887	Inspected by GIESBRECHTP	Standardisation	Date 2021-10-08
Department EL PD		Title Contact insert bracket 10B			State Final Release	
HARTING D-32339 Espelkamp		Type TB	Number 09 00 010 5610		Doc-Key / ECM-Nr. 100811688/UGD/003/F 50000203787	Rev. F
						Page 1/2

In total 36 coding possibilities

6 options on each side:



No	Left	Right	No	Left	Right	No	Left	Right
I	1 	1 	XIII	1 	3 	XXV	1 	5
II	2 	1 	XIV	2 	3 	XXVI	2 	5
III	3 	1 	XV	3 	3 	XXVII	3 	5
IV	4 	1 	XVI	4 	3 	XXVIII	4 	5
V	5 	1 	XVII	5 	3 	XXIX	5 	5
VI	6 	1 	XVIII	6 	3 	XXX	6 	5
VII	1 	2 	XIX	1 	4 	XXXI	1 	6
VIII	2 	2 	XX	2 	4 	XXXII	2 	6
IX	3 	2 	XXI	3 	4 	XXXIII	3 	6
X	4 	2 	XXII	4 	4 	XXXIV	4 	6
XI	5 	2 	XXIII	5 	4 	XXXV	5 	6
XII	6 	2 	XXIV	6 	4 	XXXVI	6 	6

	All rights reserved Department EL PD	Scale 1:1	Free size tol.		Ref.	
		Created by 100887	Inspected by GIESBRECHT P	Standardisation	Sub.	
HARTING D-32339 Espelkamp		Title Contact insert bracket 10B			Date 2021-10-08	State Final Release
		Type TB	Number 09 00 010 5610		Doc-Key / ECM-Nr. 100811688/UGD/003/F 500000203787	Rev. F