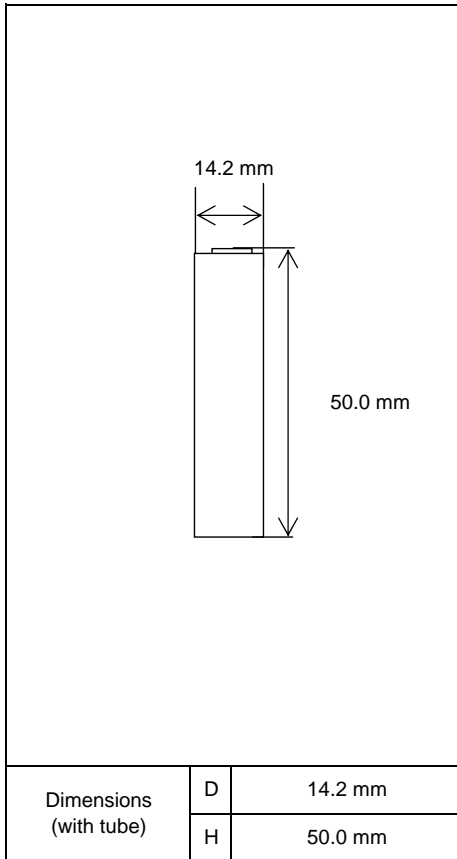


### Specifications



Type : Nickel-Metal Hydride Battery		Size : AA	
Capacity <sup>1)</sup>	Typical	1650mAh	
	Minimum	1500mAh	
Nominal Voltage		1.2V	
Charging Current x Time	Fast Charge <sup>2)</sup>	1650 mA x about 1.1h	
Ambient Temp.	Charge Condition	Fast Charge <sup>2)</sup>	0°C - 40°C
	Discharge Condition		0°C - 50°C
	Storage Condition	Less than 30days	-20°C - 50°C
		Less than 90days	-20°C - 40°C
Less than 1year		-20°C - 30°C	
Internal Impedance <sup>3)</sup> (after discharge to E.V.=1.0V)		Approx. 25mΩ(at	
Weight <sup>4)</sup>		Approx. 28 g	
Size <sup>4)</sup> : (Diameter) x (Height)		14.2(D) x 50.0(H) mm	

1) Single cell capacity under the following condition.

Charge : 165mA x 16h, Discharge : 330mA (E.V.=1.0V) at 20°C

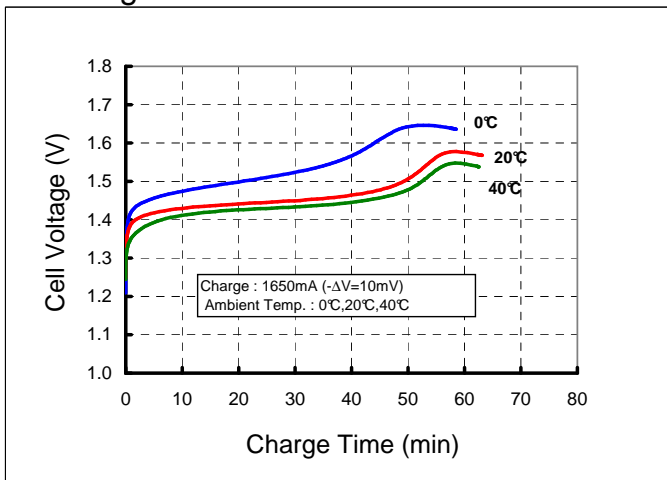
2) Use recommended charging system.

3) After a few charge and discharge cycles under the above 1) condition.

4) With tube.

### Typical Characteristics

#### Charge



#### Discharge

