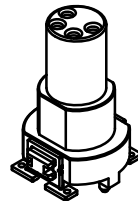
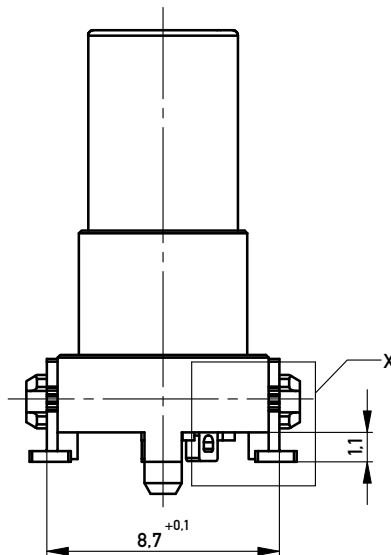
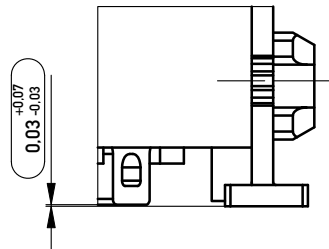
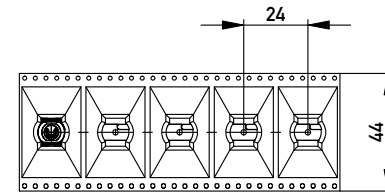
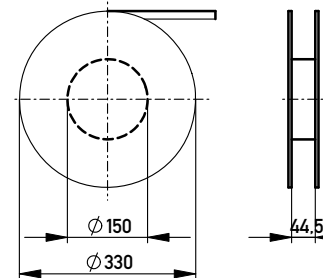


DETAIL X  
M 10:1

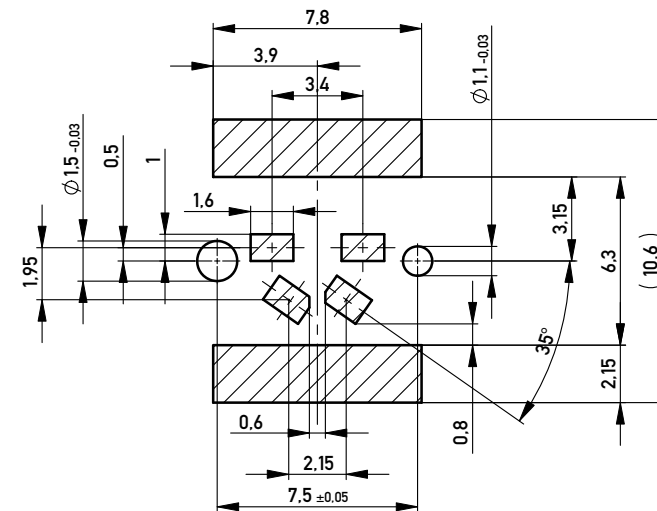


Verpackt in Gurtverpackung - Tape on Reel Packaging  
Verpackungseinheit: 100 Stück - Packaging unit: 100 pcs



Abspulrichtung - Reel off Direction

Layout - Vorschlag  
PCB - Layout proposal



Koplanarität aller Kontakte und Clip <= 0.1mm  
Coplanarity of all contacts and clips <= 0.1mm

234234	M8, 4polig 16.25mm, SMD	Schüttgut /bulk
224151	M8, 4polig 16.25mm, SMD	Gurtverpackung / Tape on Reel Packaging
<b>Ident-Nr.</b>	<b>Mass A</b>	<b>Bemerkung</b>

Information:		Tolerances	Scale 5:1	
All rights reserved. Only for Information. To ensure that this is the latest version of this drawing, please contact one of the ERNI companies before using.		 All Dimensions in mm	Designation	
			<b>Federleiste M8</b> <b>4polig 16.25mm SMD</b>	
www.ERNI.com		<b>224812</b>		I A3
i	03.02.2011	Class		M08

Copyright by ERNI GmbH. Proprietary notice pursuant to ISO 16016 to be observed.