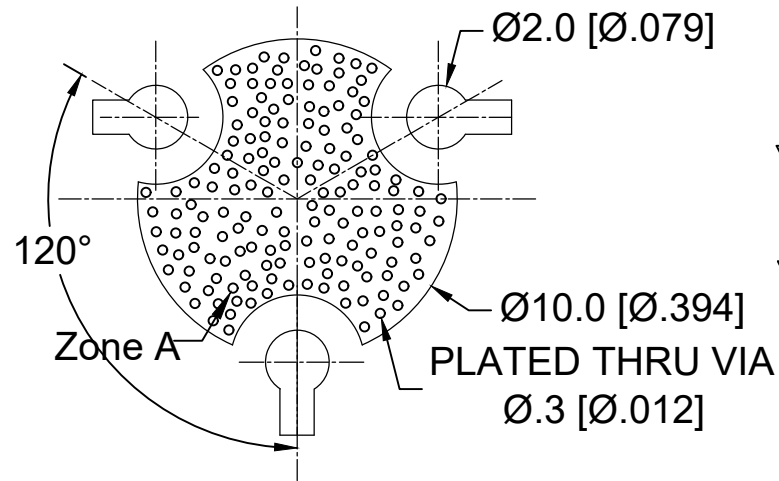
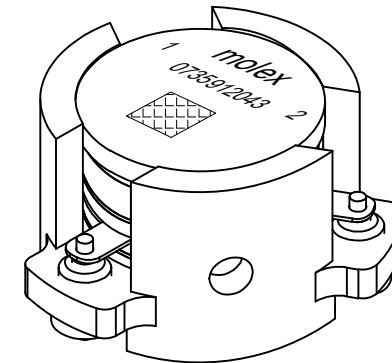
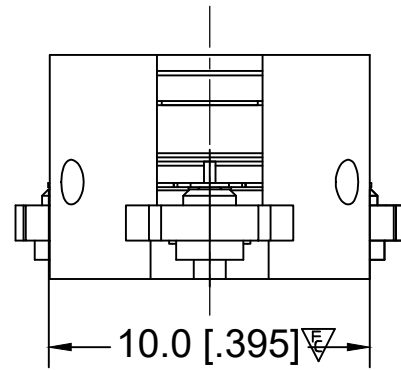
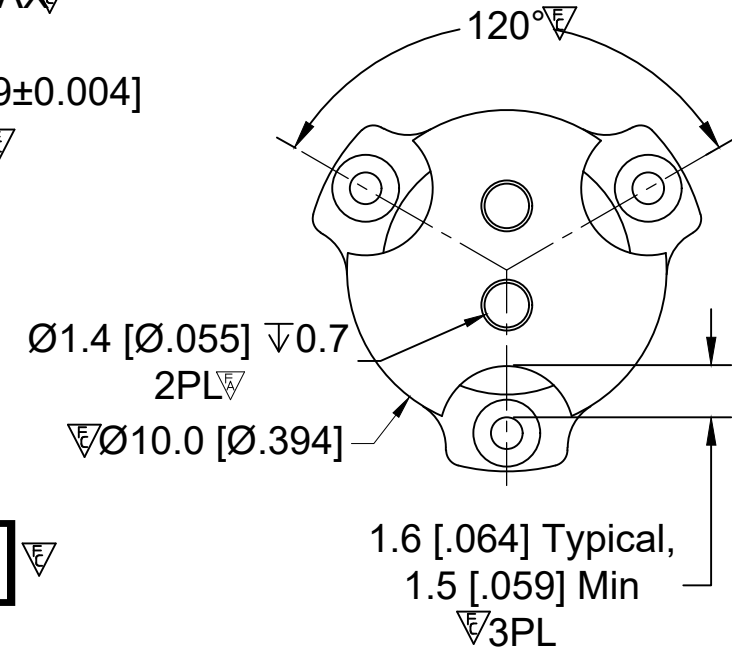
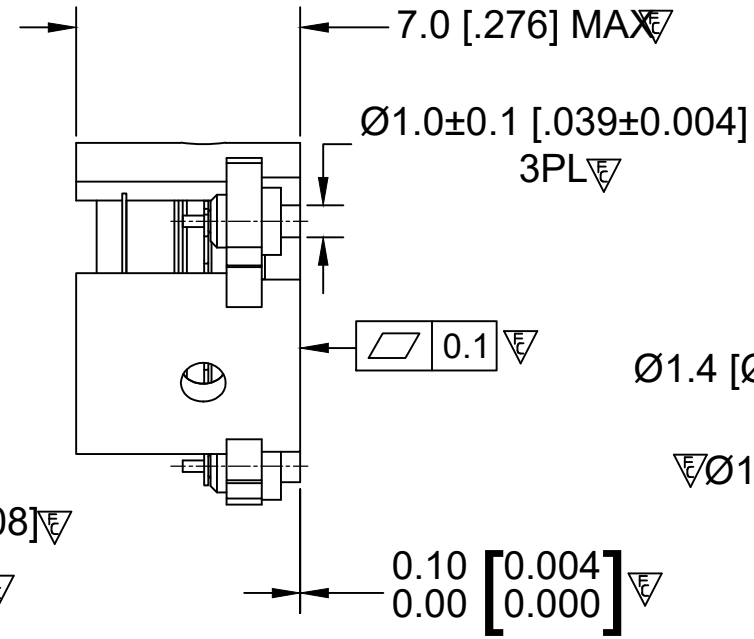
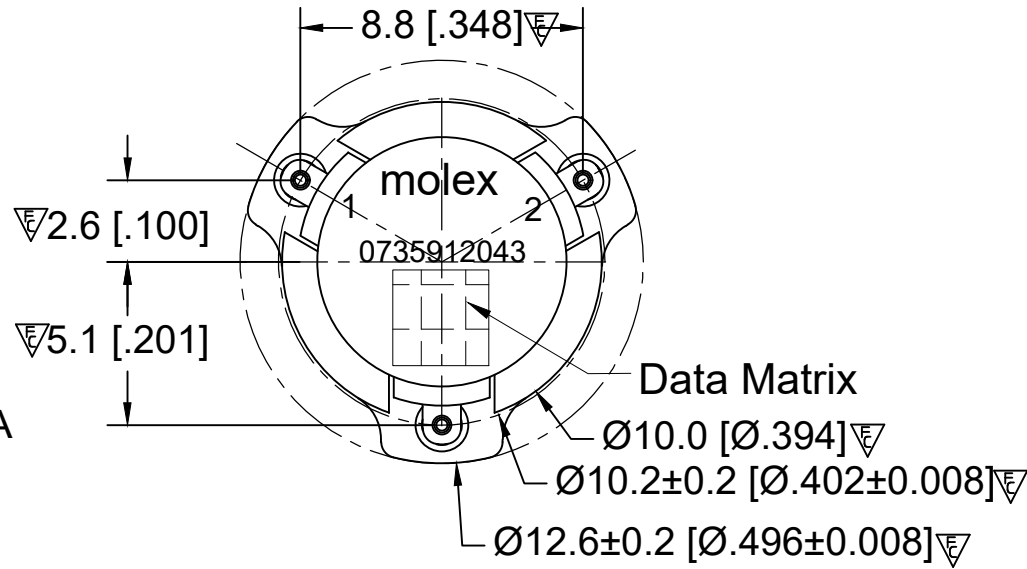


RECOMMENDED LAND PATTERN :

Zone A must be attached to heat sink. Thermal conductivity of intermediate layers between Zone A and heat sink must be better than 0.1 W / [°C x mm].



PCB Material :Rogers RO4350B,0.508mm thickness
 trace width 1.07mm wide.



BODY: CARBON STEEL, SILVER PLATED
 RIGID PINS: COPPER, SILVER PLATED

NOTES:

- 1.STANDARD INPUT/OUTPUT IMPEDANCE 50 Ohm
- 2.LEAD FREE, NO Nd MATERIAL, BeO FREE
- 3.THE DIMENSION OF DATE MATRIX IS 3X3MM INFORMATION INCLUDING WORK ORDER NUMBER-SERIAL NUMBER-MATERIAL NUMBER
- 4.THIS PART COMPLIES WITH ALL RoHS REQUIREMENTS

ELECTRICAL SPECIFICATIONS :

- Frequency Range : 3500~4100 MHz
 Insertion Loss : 0.40 dB max
 Isolation : 20 dB Min
 Return Loss : 20 dB min
 Forward Power : 20W
 Peak Power : 200W
 Reverse Power : 20W
 IMD(2.5W*2tones,1MHz Spacing) :-60 dBc max
 Operating Temperature : -40°C to +105°C
 Direction : CW

ENG PART#:802-350-410-VP040

FUNCTIONAL SYMBOLS	THIS DRAWING CONTAINS INFORMATION THAT IS PROPRIETARY TO MOLEX ELECTRONIC TECHNOLOGIES, LLC AND SHOULD NOT BE USED WITHOUT WRITTEN PERMISSION		CURRENT REV DESC:		molex
	DIMENSION UNITS	SCALE	RELEASE TO PROD		
∇A=0	MM	1:1	EC NO: 696580		SMSJ CIRCULATOR/3500~4100MHZ/CW
∇E=0	GENERAL TOLERANCES (UNLESS SPECIFIED)		DRWN: SREN05	2022/02/21	
∇P=0			CHK'D: JLI252	2022/02/23	RESTRICTED PRODUCT CUSTOMER DRAWING
DIVISIONAL SYMBOLS	mm	INCH	APPR: HWANG186	2022/03/01	
	4 PLACES	±0.005	±----	INITIAL REVISION:	DOCUMENT NUMBER
	3 PLACES	±0.025	±----	DRWN: SREN05	735912043
	2 PLACES	±0.13	±----	APPR: HWANG186	PSD
	1 PLACE	±0.2	±----	2021/11/15	000
	0 PLACES	±0.4	±----	2022/03/01	A
	ANGULAR TOL ± 1.5 °		DRAFT WHERE APPLICABLE MUST REMAIN WITHIN DIMENSIONS		SHEET NUMBER
			THIRD ANGLE PROJECTION	DRAWING	1 OF 1
			A3-SIZE	SERIES	
			73591	MATERIAL NUMBER	
			0735912043	CUSTOMER	
			CUSTOM PART		