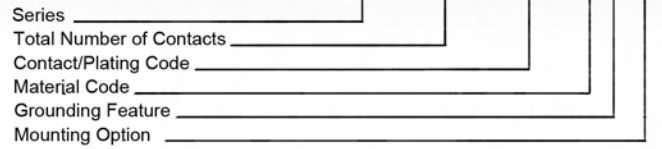




SERIES 623/624



Example Part Number **624 - 025 - 261 - 0 3 3**



| | |
|---------------|---------------------|
| Series | |
| 623 | (9-pin only) Plug |
| 624 | Receptacle |

| | |
|-----------------------|--|
| Total Contacts | |
| 009, 015, 025 | |

| | |
|-----------------------------|-------------------------|
| Contact/Plating Code | |
| 261 | Gold Flash (Class 3) |
| 361 | 15u" (0.38um) (Class 2) |
| 661 | 30u" (0.76um) (Class 1) |

| | |
|----------------------|-------------------------------------|
| Material Code | |
| 0 | Indicates generic internal use code |

| | |
|--------------------------|--|
| Grounding Feature | |
| 3 | Two-prong boardlocks for .120" (3.055mm) dia. hole |

| | |
|------------------------|----------------------------------|
| Mounting Option | |
| 1 | .125" (3.18mm) dia. through-hole |
| 2 | #4-40 UNC threaded insert |
| 3 | #4-40 UNC hex standoff |

FEATURES

Two contact rows with .200" (5.08mm) footprint right-angle bend.

.109" (2.77mm) contact spacing x .112" (2.82mm) row spacing

Pin and socket contact mating design with PC tail termination

Metal shell provides EMI/RFI shielding, Plug Shell indents provide grounding and additional mating retention

Grounding features include two-prong boardlock for exceptional retention to PC Board

Mounting options for panel mount or connector mating include through hole, threaded inserts and threaded standoffs

D-shaped connector mating outline provides polarization
Design based on requirements of MIL-C-24308, EIA RS-232 and RS-449

SPECIFICATIONS

Insulator Material: Thermoplastic polyester UL 94V-0; chemical resistant; colour - black

Contact Material: Plug contacts- brass
Receptacle contacts - phosphor bronze

Contact Plating: Gold (see Ordering Code) over nickel for the mating area; tin plating on contact tails

Shell Material: Nickel-plated steel

Current Rating: 5 amperes

Contact Resistance: 10 milliohms maximum

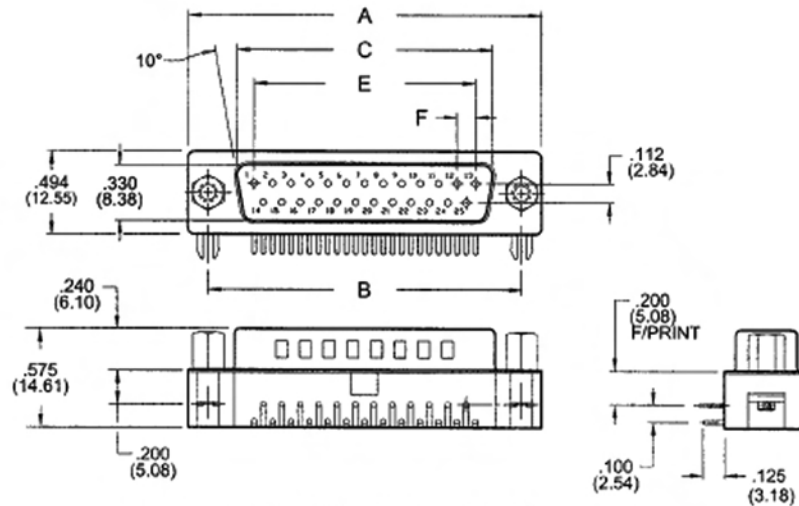
Dielectric Withstanding Voltage: 1000 V AC rms @ sea level

Insulation Resistance: 5000 megohm minimum

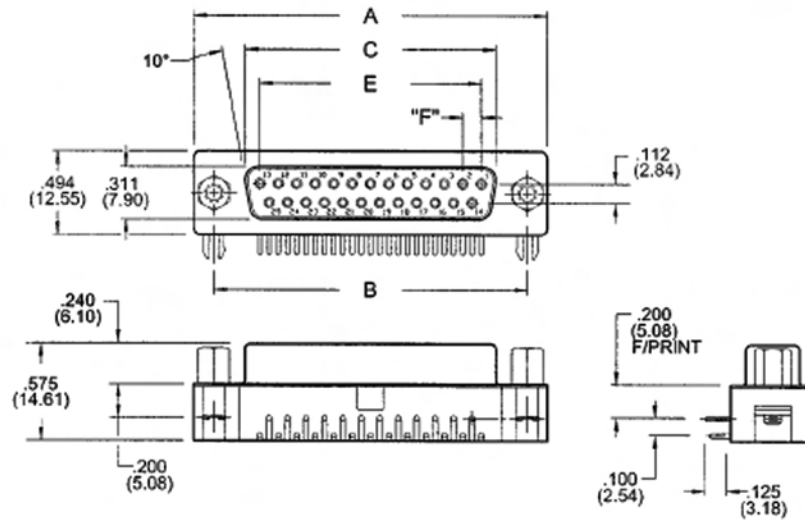
Operating Temperature: -55 to + 105 degrees C

Engagement and Separation Force: 1 to 10 oz (0.28 to 2.78 N) per contact position

PLUG 623 SERIES



RECEPTACLE 624 SERIES



| NUMBER OF CONTACTS | A | | B | | C PLUG | | C RECEPTACLE | | E | | F | |
|--------------------|-------|---------|-------|---------|--------|---------|--------------|---------|-------|---------|------|--------|
| | Inch | (mm) | Inch | (mm) | Inch | (mm) | Inch | (mm) | Inch | (mm) | Inch | (mm) |
| 9 | 1.214 | (30.84) | .984 | (24.99) | .667 | (16.92) | .640 | (16.26) | .432 | (10.97) | .108 | (2.74) |
| 15 | 1.545 | (39.24) | 1.312 | (33.32) | .994 | (25.25) | .967 | (24.56) | .756 | (19.20) | .108 | (2.74) |
| 25 | 2.088 | (53.04) | 1.852 | (47.04) | 1.534 | (38.96) | 1.508 | (38.30) | 1.304 | (33.12) | .109 | (2.76) |

Mouser Electronics

Authorized Distributor

Click to View Pricing, Inventory, Delivery & Lifecycle Information:

EDAC:

[623-009-261-032](#) [623-015-261-032](#) [623-025-261-032](#) [624-009-361-032](#) [624-009-361-033](#) [623-009-261-033](#) [623-009-661-032](#) [624-009-261-032](#) [624-009-261-033](#) [624-009-661-032](#) [624-015-261-032](#) [624-015-261-033](#) [624-025-661-032](#) [624-025-661-033](#)