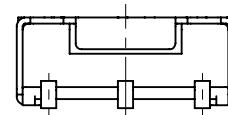
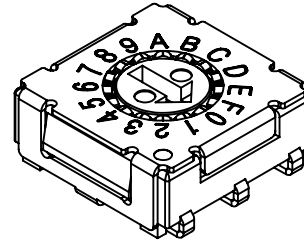
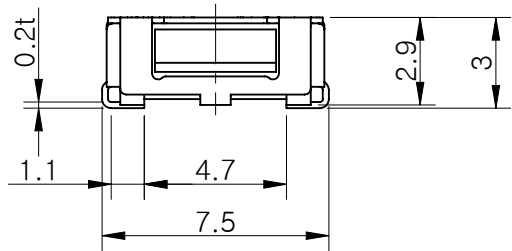
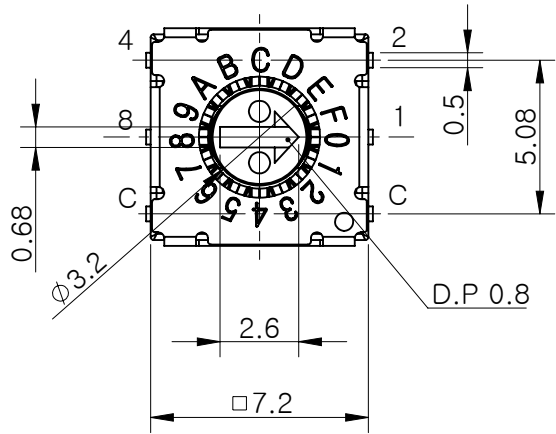
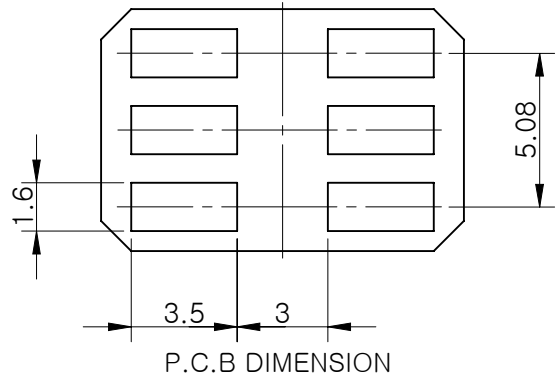


MRK.	DATE	REVISION	SIGN
△			



Specification

- Operating Voltage : 42V
(None-Switching : 100mA, DC 50V)
(Switching : 100mA, DC 5V)
- Contact Resistance : 100mΩ Max
- Insulation Resistance : 100MΩ Min
- Operating Force : 200gf.cm Max
- Life cycle : 10,000 steps
- Sealing : Comparable IP67

		Real Code				
		C	1	2	4	8
10 P o s i t i o n	0	●				
	1	●	●			
	2	●		●		
	3	●	●	●		
	4	●			●	
	5	●	●		●	
	6	●		●	●	
	7	●	●	●	●	
	8	●				●
	9	●	●			●
16 P o s i t i o n	A	●		●		●
	B	●	●	●		●
	C	●			●	●
	D	●	●		●	●
	E	●		●	●	●
	F	●	●	●	●	●

STANDARD LAYOUT

01	ASSEMBLY	재질 <지정안함>		1	-	
NO.	DESCRIPTION	MATERIAL		COLOR/FINISH	VENDOR	
DRAW/DESIGNED	CHECKED	APPROVED	 G.TOL ±0.1	TITLE	ASSEMBLY	
				UNIT	SCALE	MODEL
2019-02-11			mm	4:1	GSDR-16J	SHEET
SUNGmun ELECTRONICS CO.,LTD			SIZE	DRAW NO.	GSDR-16J0-01	1/1
			A4			