

IWPH01-02

SI PIN PHOTODIODE

Visible to infrared range
 Plastic package 7 mm x 7.8 mm
 Active area size 2.8 mm x 2.8 mm

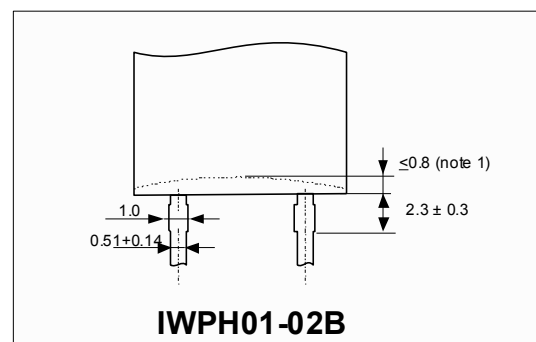
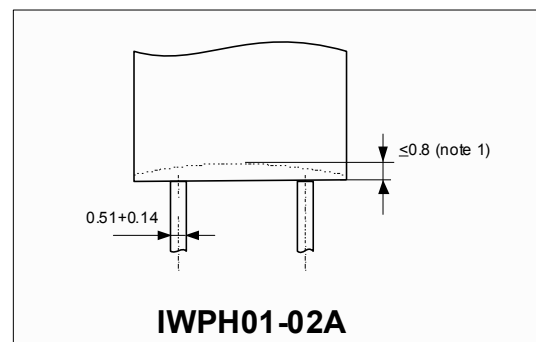
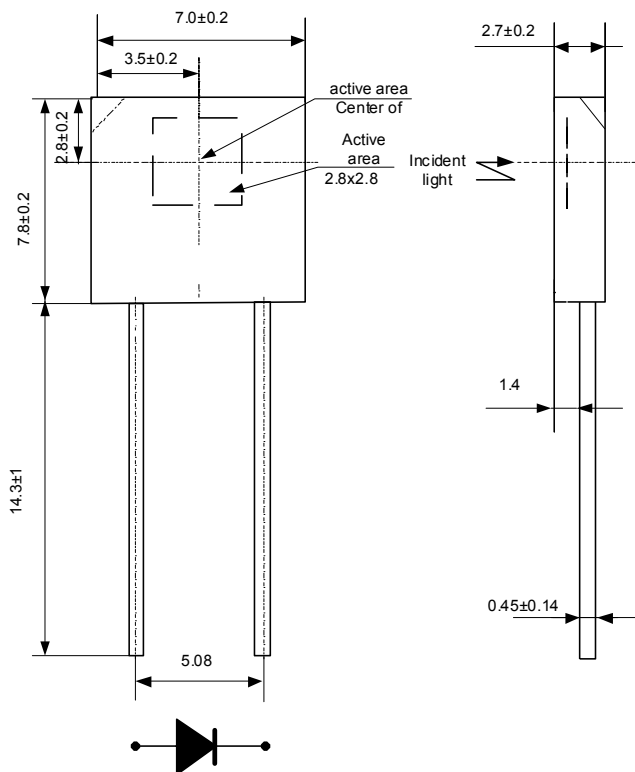
Absolute maximum ratings

	Parameter	Max.	Units
$V_{R\ max}$	Reverse voltage	35	V
$P_{\ max}$	Power dissipation	150	mW
T_{opr}	Operating temperature	-25 to +85	°C
T_{stg}	Storage temperature	-40 to +100	

Electrical and optical characteristics (Ta=25 °C, unless otherwise noted)

	Parameter	Typ	Max	Units	Conditions
λ	Spectral response range	320 to 1100		nm	
λ_p	Peak sensitivity wavelength	960			
S	Photo sensitivity	0.57		A/W	960 nm
		0.38			660 nm
		0.46			780 nm
		0.48			830 nm
I_{sc}	Short circuit current	7.5		μ A	100 lx
I_D	Dark current	0.1	10	nA	$V_R=12V$
T_{CID}	Temp. coefficient of I_D	1.15		times/°C	
	NEP	1.0×10^{-14}		W/Hz ^{1/2}	$V_R=12V$

Package outline (unit: mm, tolerance unless otherwise noted: ± 0.1)



Korzhenevskogo 12, Minsk, 220108 Republic of Belarus
 Fax: +375 (17) 278 28 22,
 Phone: +375 (17) 278 07 11, 212 24 70, 212 24 61, 1
 212 69 16
 E-mail: office@bms.by
 URL: www.bms.by

BELMICROSYSTEMS

IWPH01-02

Note 1 Shape of surface at zone (≤ 0.8) not defined



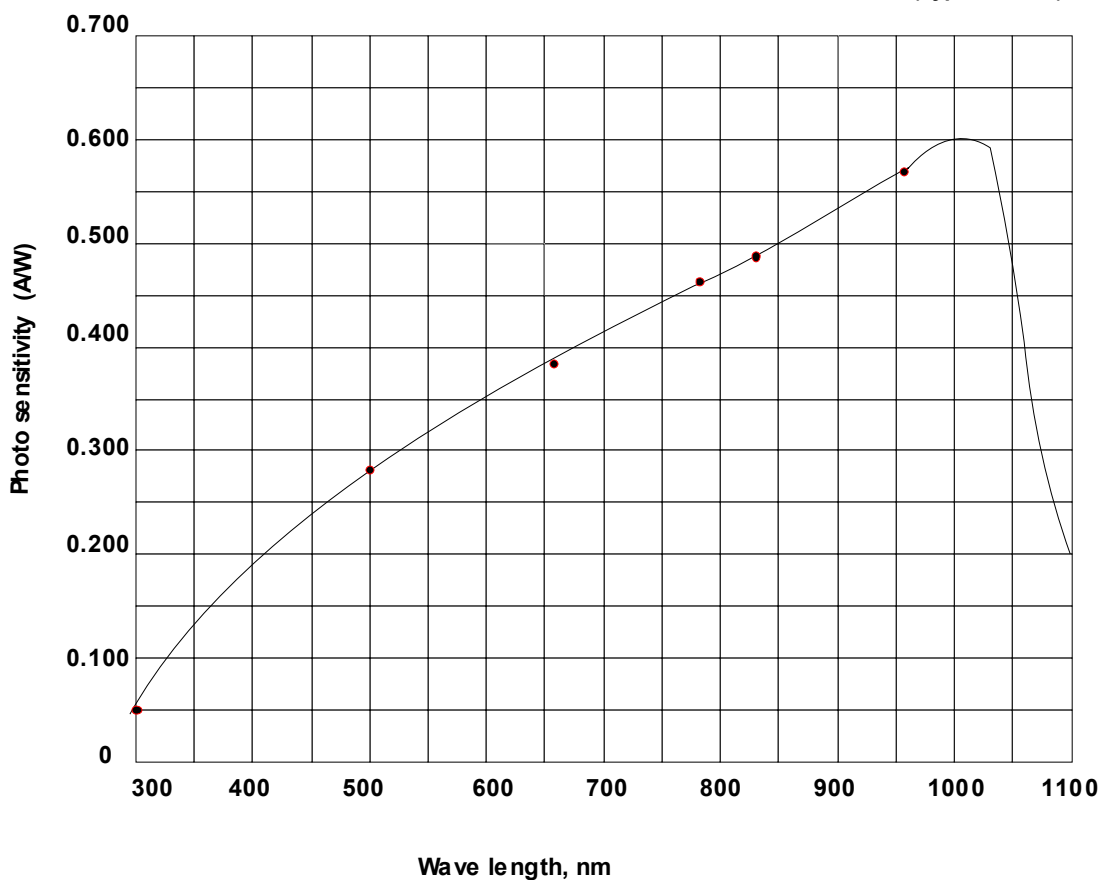
Korzhenevskogo 12, Minsk, 220108 Republic of
Belarus
Fax: +375 (17) 278 28 22,
Phone: +375 (17) 278 07 11, 212 24 70, 212 24 61, 2
212 69 16
E-mail: office@bms.by
URL: www.bms.by

BELMICROSYSTEMS

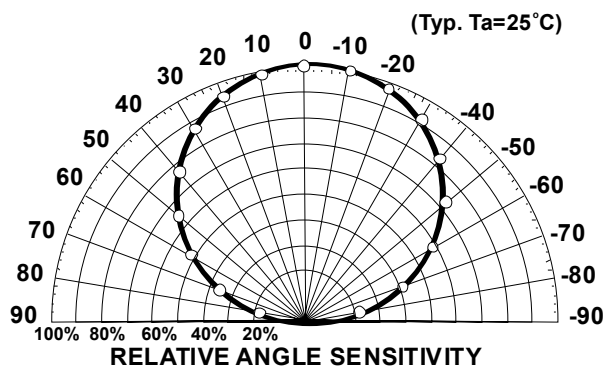
IWPH01-02

Spectral response

(Typ. Ta=25°C)



• **Directivity**



Korzhenevskogo 12, Minsk, 220108 Republic of Belarus
 Fax: +375 (17) 278 28 22,
 Phone: +375 (17) 278 07 11, 212 24 70, 212 24 61, 3 212 69 16
 E-mail: office@bms.by
 URL: www.bms.by

BELMICROSYSTEMS