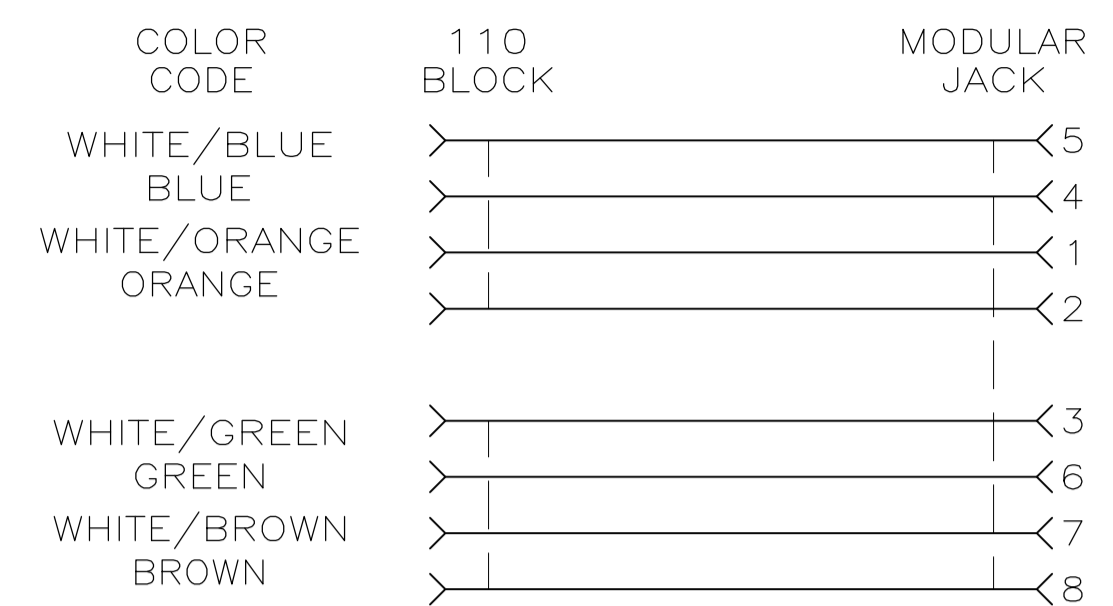
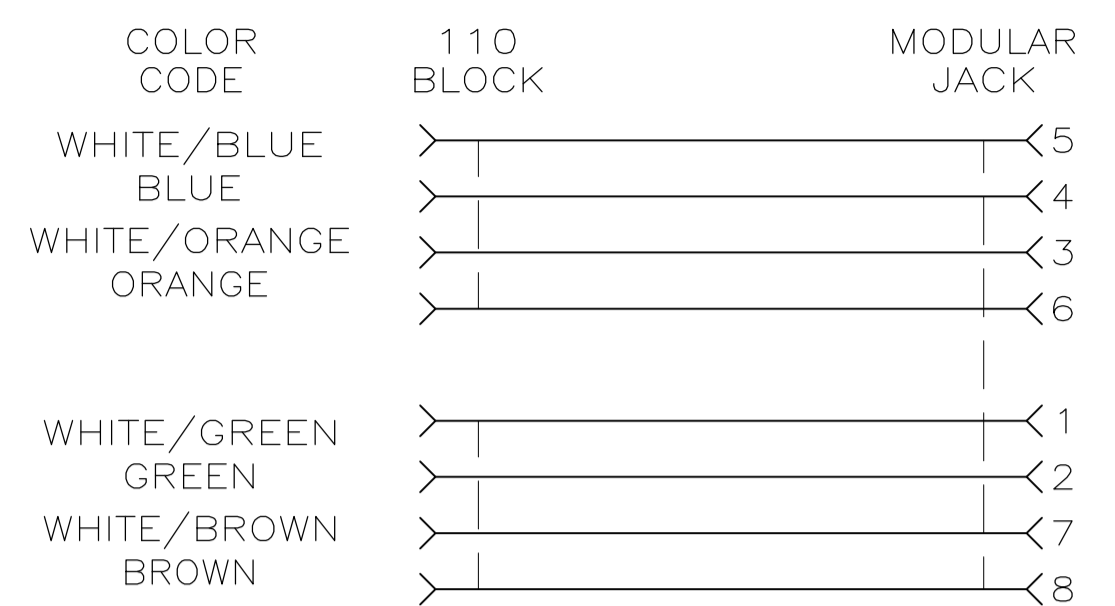
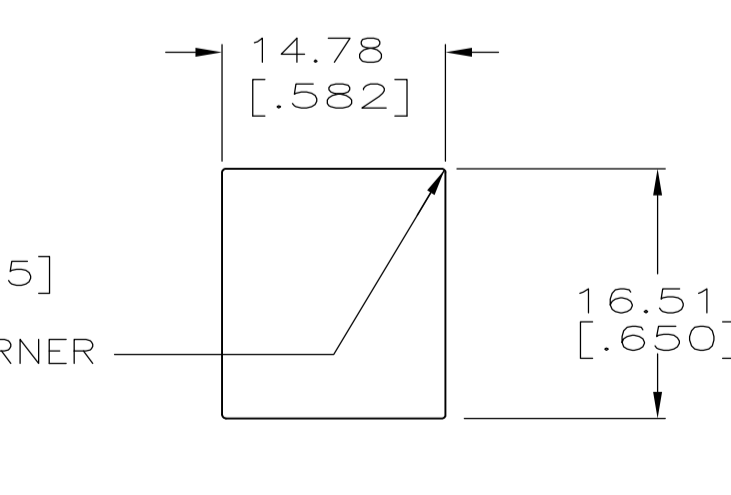
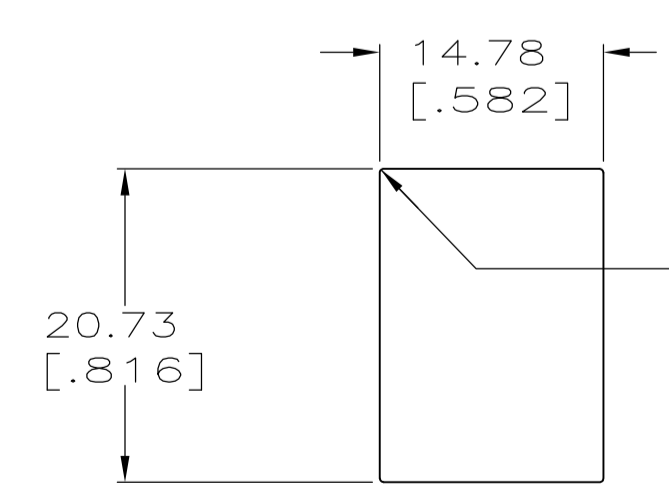
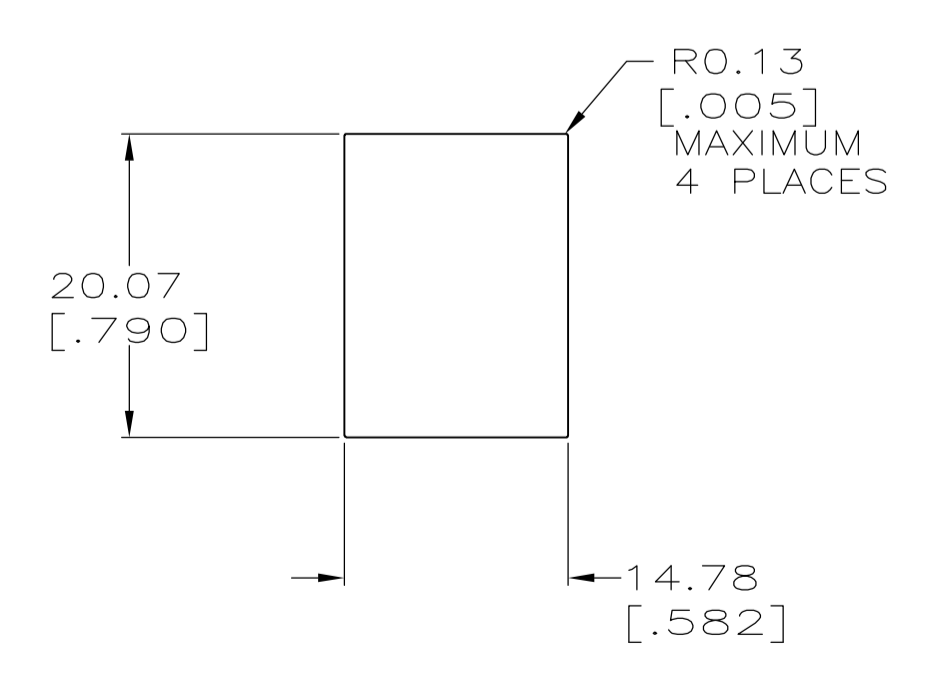
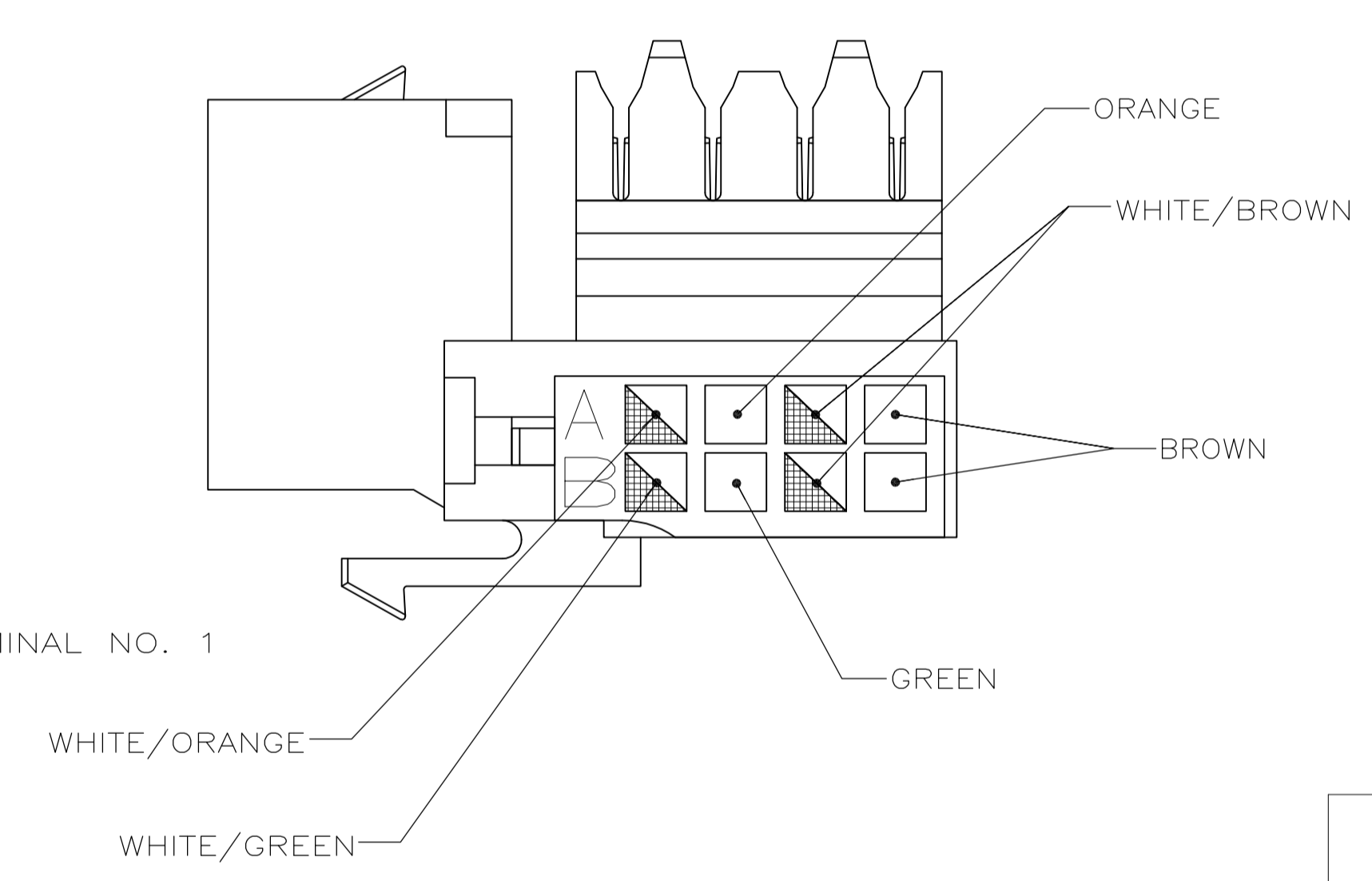
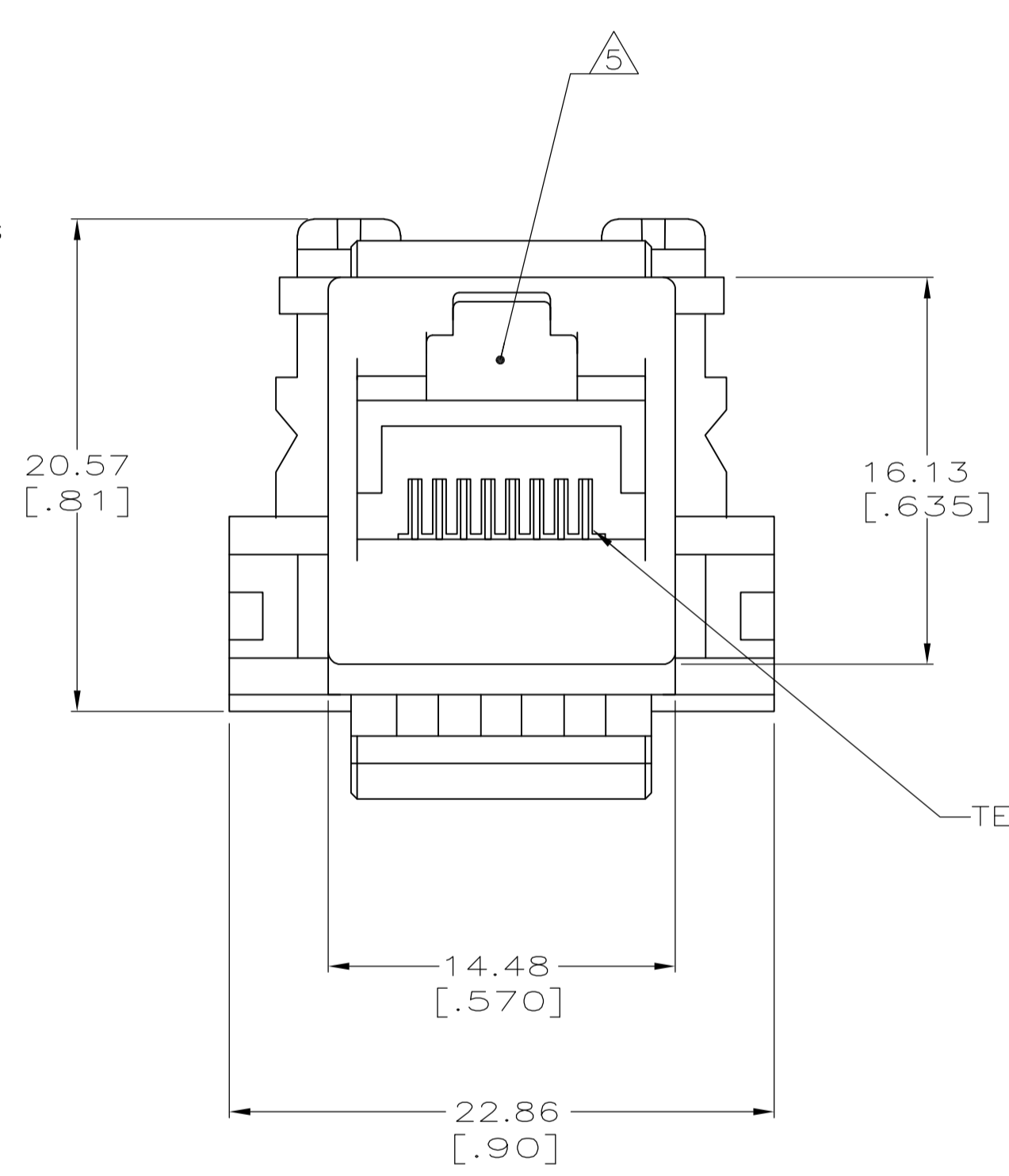
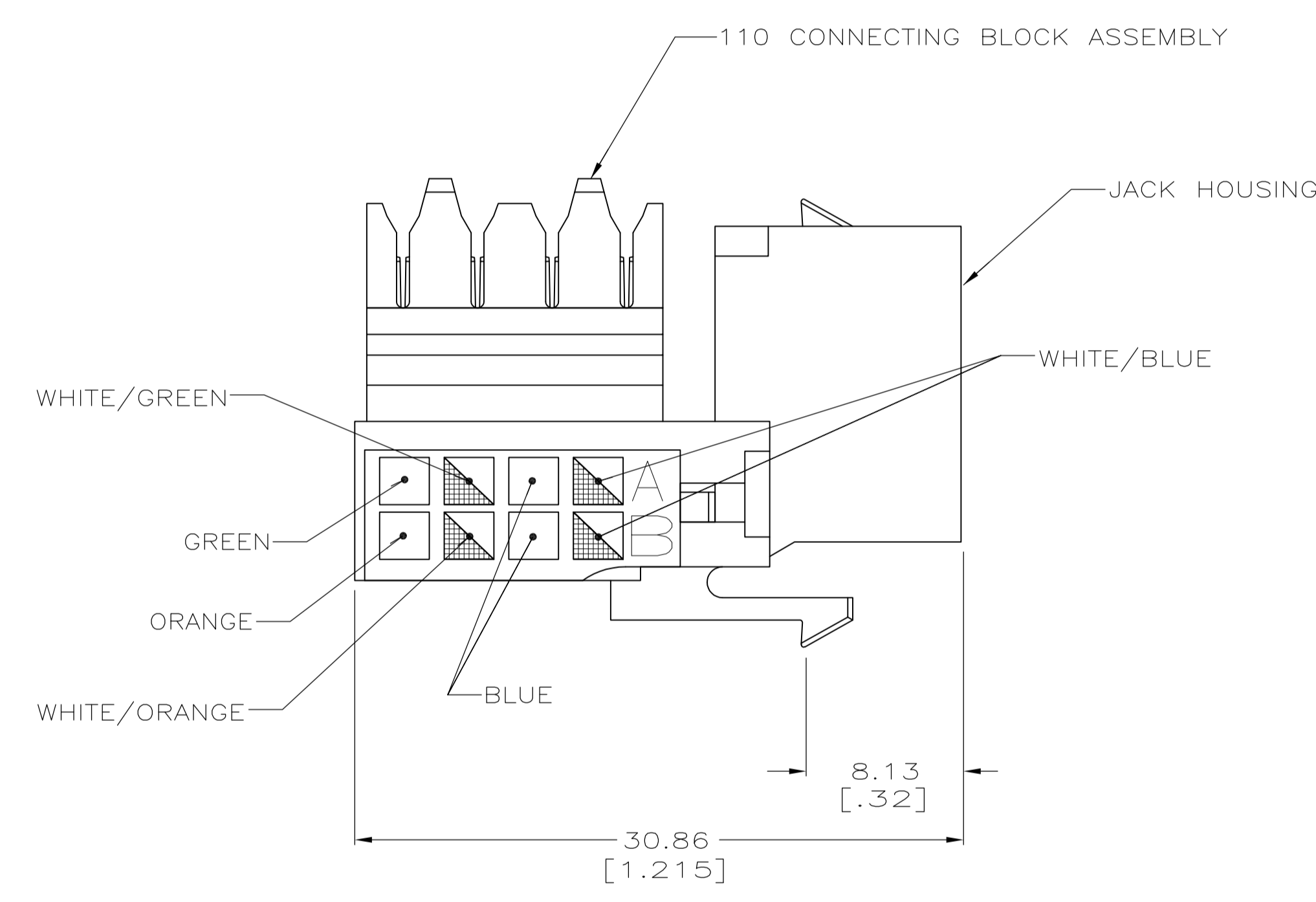


LOC	DIST	REVISIONS				
		REV	DESCRIPTION	DATE	BY	APPV
HM	00	G1	REVISED PER ECO-11-005033	21MAR11	RK	HMR
		G2	ADD 1/3, REV ECO-11-011931	10JUN2011	LH	SA



- 1. MATERIAL: HOUSING - POLYCARBONATE, 94V-0 RATED. SEE TABLE FOR COLOR. JACK CONTACTS - PHOSPHOROUS BRONZE, PLATED WITH 1.27μm [.000050] MINIMUM THICK GOLD IN LOCALIZED AREA AND 3.81μm [.000150] MINIMUM THICK MATTE TIN IN SOLDER AREA OVER 1.27μm [.000050] MINIMUM THICK NICKEL UNDERPLATE.
- 2. 110 BLOCK WILL TERMINATE 22-26 AWG SOLID OR 7 STRAND CONDUCTORS, 1.27 [.050] MAXIMUM INSULATION DIAMETER.
- 3. MOUNTING PANEL THICKNESS 1.473 - 1.600 [.058 - .063].
- 4. ONE MODULAR JACK ASSEMBLY PER POLYBAG.
- 5. CAVITY CONFORMS TO FCC RULES AND REGULATIONS PART 68 SUBPART F REQUIREMENTS.
- 6. THESE TWO SUGGESTED CUTOUT OPENINGS ARE USED IN TANDEM WITH DUAL FRONT AND BACK CUTOUTS.
- 7. TWENTY FIVE MODULAR JACK ASSEMBLIES PER POLYBAG.



PACKAGED	HOUSING COLOR	PART NUMBER	
7	ALPINE WHITE	3-406372-3	
	ELECTRIC IVORY	3-406372-1	
	VIOLET	3-406372-0	
	GREEN	2-406372-9	
	YELLOW	2-406372-8	
	RED	2-406372-7	
	BLUE	2-406372-6	
	ORANGE	2-406372-5	
	NEMA GRAY	2-406372-4	
	WHITE	2-406372-3	
	BLACK	2-406372-2	
	LIGHT ALMOND	2-406372-1	
	4	ALPINE WHITE	1-406372-3
		ELECTRIC IVORY	1-406372-1
VIOLET		1-406372-0	
GREEN		406372-9	
YELLOW		406372-8	
RED		406372-7	
BLUE		406372-6	
ORANGE		406372-5	
NEMA GRAY		406372-4	
WHITE		406372-3	
BLACK	406372-2		
LIGHT ALMOND	406372-1		

THIS DRAWING IS A CONTROLLED DOCUMENT.

DL DRUMMOND 25 NOV 96  
T WOOTEN 09 JAN 97  
G ROWMAN 09 JAN 97

TE Connectivity

110 MODULAR JACK ASSEMBLY, RJ45, ENHANCED CAT5, UNIVERSAL

108-1389  
408-3389

SIZE: A1  
SCALE: 4:1  
SHEET: 1 OF 1  
REV: G2