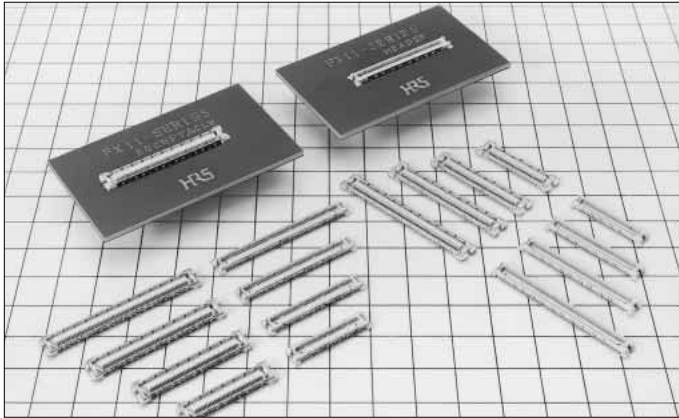


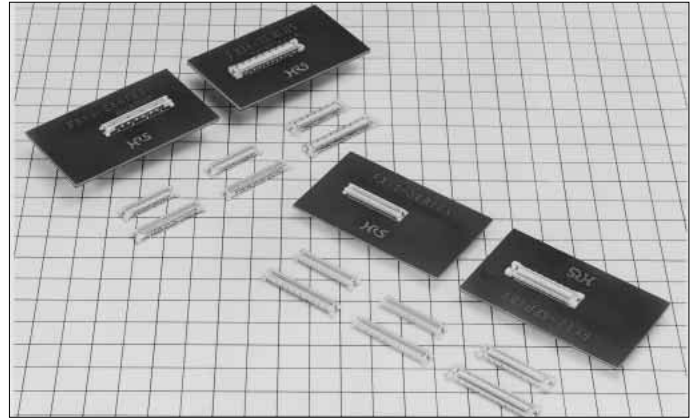
0.5mm Pitch Connectors with Ground Plate for 2mm to 3mm Board-to-Board Connections

FX11 Series

Stacking height : 2mm



Stacking height : 2.5mm, 3mm



■ Features

1. Low Profile Design

The board to board mating height of 2mm, 2.5mm and 3mm suits smaller, thinner case designs.

2. Improved Transmission Efficiency Between Boards

Transmission characteristics have been improved through a design that fixes ground plates to both sides of the header and receptacle.

3. 10 Signal:1 Ground Arrangement

Signal and ground are arranged in a ratio of 10:1 with the ground plate SMT connected to the board. The ground stability achieved serves to reduce noise.

4. Metal Fittings for Added Solder Weld Strength

Metal fittings provide greater adhesion to the board, protecting against peeling. The unique connector design provides a connection between the fitting and the ground plate for a stronger ground.

5. Suited to High-Density Applications

The signal contact pitch of 0.5mm produces a smaller connector utilizing less board area for mounting.

6. Structure Prevents Solder Wicking

A solder gap has been designed into the contact SMT portion to prevent solder wicking.

7. High contact reliability

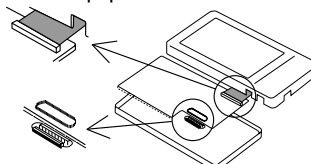
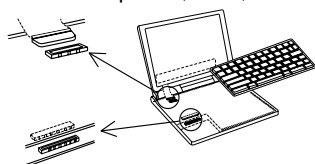
Effective mating length is 0.55mm (2mm height), 1mm (2.5mm, 3mm height) for signal contacts.

8. Optional Ground Plate

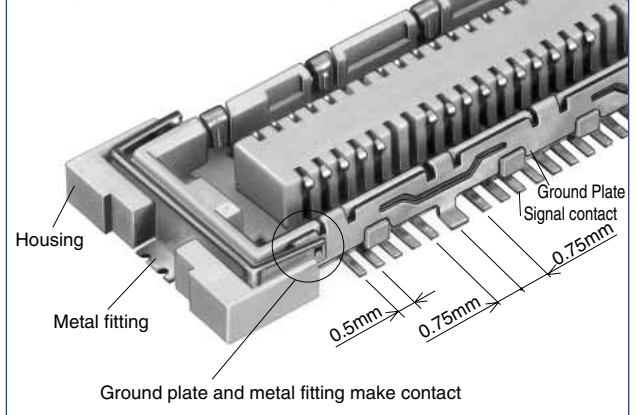
An alternate style without the ground plate is available. The space provided by the ground plate removal has been filled with additional signal contacts.

■ Applications

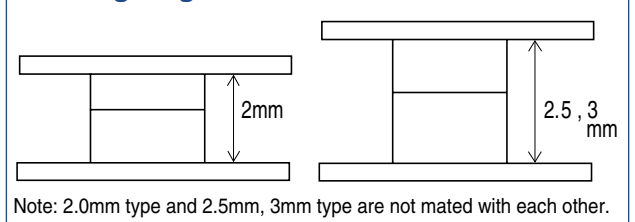
Notebook computers, PDA, and other miniature electronic equipment.



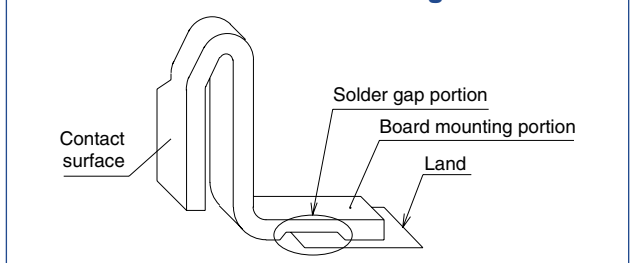
10 Signal: 1 Ground Arrangement



Stacking height variation



Structure Prevent solder wicking



◆ Stacking height variation

● With ground plate

| | | |
|------------------|--------|------------------|
| Receptacle | Header | FX11L#-※P / ※-SV |
| FX11L#-※S / ※-SV | | 2mm |

| | | | |
|-----------------|--------|-----------------|--------------------|
| Receptacle | Header | FX11#-※P / ※-SV | FX11#-※P / ※-SV0.5 |
| FX11#-※S / ※-SV | | 2.5mm | 3mm |

● Without ground plate

| | | |
|--------------|--------|--------------|
| Receptacle | Header | FX11L#-※P-SV |
| FX11L#-※S-SV | | 2mm |

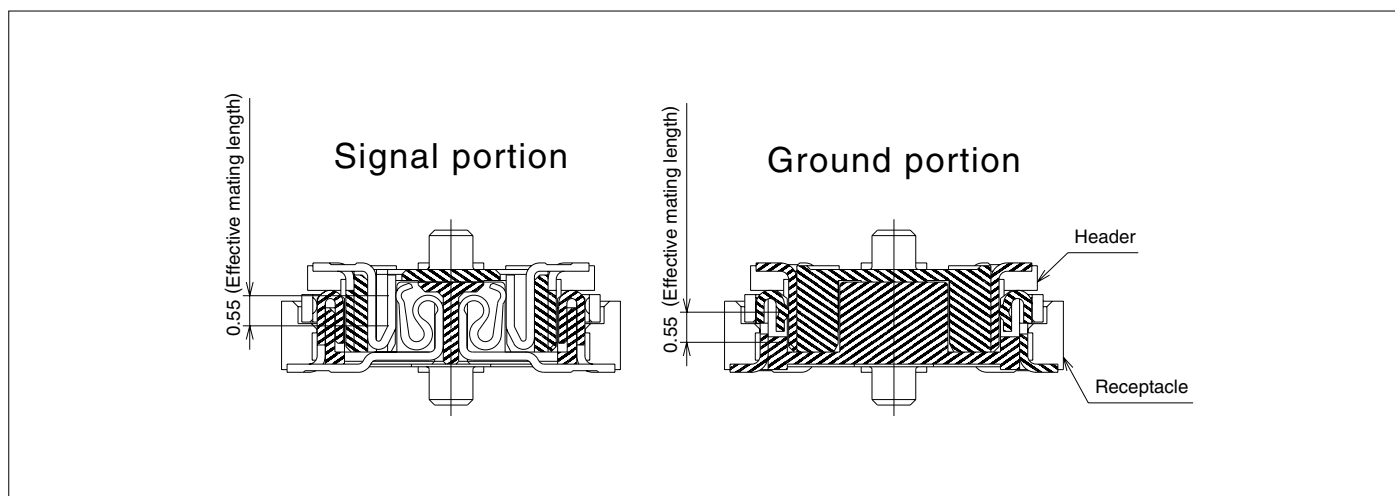
| | | | |
|-------------|--------|-------------|----------------|
| Receptacle | Header | FX11#-※P-SV | FX11#-※P-SV0.5 |
| FX11#-※S-SV | | 2.5mm | 3mm |

Note 1: The thickness of the solder paste is not included in the stacking height.

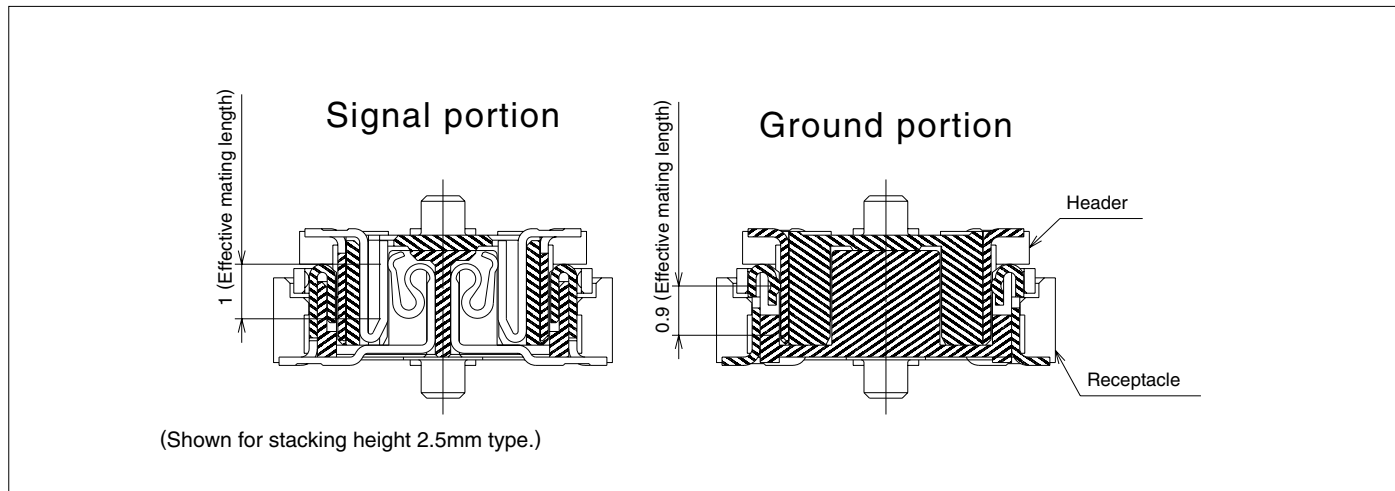
Note 2: 2mm type and 2.5mm, 3mm type, with ground plate type and without ground type are not mated with each other.

◆ Cross section of mating

● Stacking height : 2mm



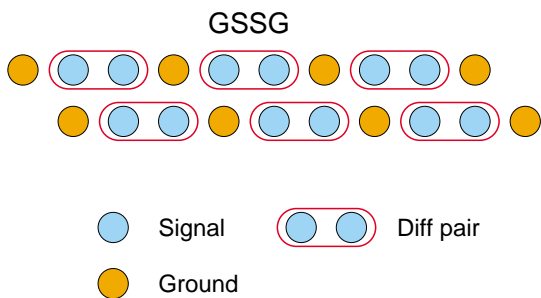
● Stacking height : 2.5mm, 3mm



Signal integrity

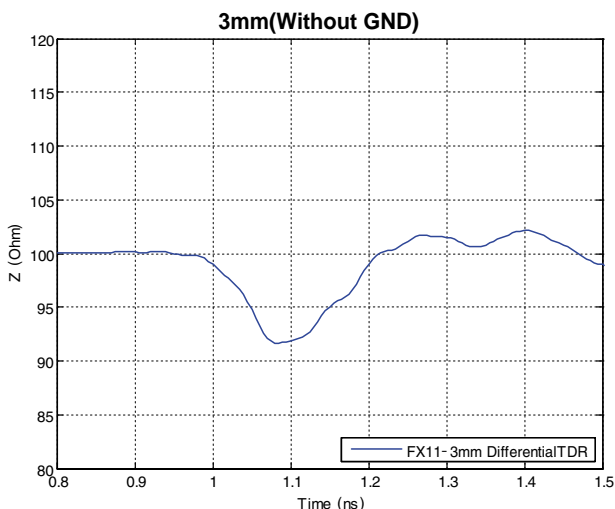
Pin assignment

To match 100 ohm differential impedance and to reduce crosstalk, a staggered GSSG pin assignment is recommended. (G=ground and S=signal)



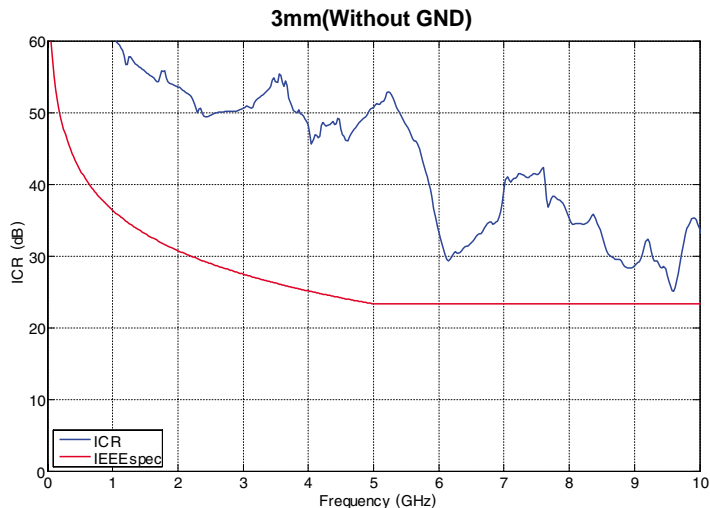
Impedance

The differential impedance is 100 +/- 10 ohm for FX11 at 50 ps rise time(20% to 80%).



Insertion-loss-to-crosstalk ratio (ICR)

The insertion-loss-to-crosstalk ratio (ICR) with five differential FEXT aggressors meets the extrapolated IEEE802.3ap specification to 10+ Gbps.



Stacking height : 2mm

Product Specifications

| | | | | | | |
|--------|---------------|----------------|-----------------------------|--|---------------------------|-----------------------|
| Rating | Rated current | 0.3 A (Note 1) | Operating temperature range | -55 to 85°C | Storage temperature range | -10 to +60°C (Note 2) |
| | Rated voltage | 50 V AC | Operating humidity range | Relative humidity 95% or less (No condensation) | Storage humidity range | 40 to 70% (Note 2) |

| Item | Requirements | Conditions |
|---------------------------------|--|--|
| 1. Insulation resistance | 100 MΩ or greater | Measured at 100 V DC |
| 2. Voltage proof | No flashover or breakdown | 150 V AC applied for one minute |
| 3. Contact resistance | 60 mΩ or less | Measured at 100 mA |
| 4. Vibration | No electrical discontinuity for 1μs or greater No damage, cracks, or parts looseness | Frequency: 10 to 55 Hz, amplitude of 0.75 mm in 3 directions, 10 cycles each |
| 5. Shock | No electrical discontinuity for 1μs or longer No damage, cracks, or parts looseness | Acceleration of 490 m/s ² , 11ms duration, sine half-wave waveform, for 3 cycles in the both directions of each of the 3 axes |
| 6. Damp heat (Steady state) | Contact resistance of 70 mΩ or less, insulation resistance of 100 MΩ or greater, no damage, cracks, or parts looseness | Temperature of 40°C, humidity of 90 to 95%, duration 96 h |
| 7. Temperature cycle | Contact resistance of 70 mΩ or less, insulation resistance of 100 MΩ or greater, no damage, cracks, or parts looseness | Temperature: -55°C → 15 to 35°C → 85°C → 15 to 35°C Time: 30 min. → 2 to 3 min. → 30 min. → 2 to 3 min. for 5 cycles |
| 8. Durability | Contact resistance of 70 mΩ or less No damage, cracks, or parts looseness | 50 times |
| 9. Resistance to soldering heat | No melting of resin portion which affects performance | Reflow: At the recommended temperature profile Soldering iron temperature: 360°C for 5 seconds |

Note 1: The term storage refers to an unused products prior to board mounting (including packing materials) that is being kept for a long period. The operating temperature and humidity range are applied to the non-conducting condition following board assembly.

Note 2: Information contained in this catalog represents general requirements for this Series. Contact us for the drawings and specifications for a specific part number shown.

Materials

| Part | Material | Finish | | Remarks |
|---------------|-----------------|-------------|--|---------|
| Insulator | LCP | Beige | | UL94V-0 |
| Contacts | Copper alloy | Header | Engagement Area: Gold plating of 0.1μm | _____ |
| | Phosphor bronze | Receptacle | Termination Area: Flash plating | |
| Ground plate | Phosphor bronze | Tin plating | | _____ |
| Metal fitting | Phosphor bronze | Tin plating | | _____ |
| Metal plate | | | | _____ |

Ordering information

Type With Ground Plate **FX11L # - ※ P - / ※ - SV (**)**

①
②
③
④
⑤
⑥

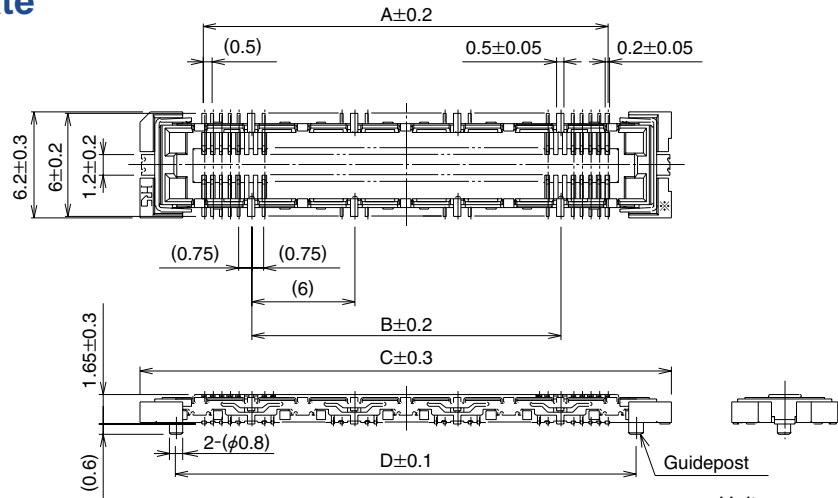
Type Without Ground Plate **FX11L # - ※ P - SV (**)**

①
②
③
④
⑤
⑥

| | |
|---|--|
| ① Series name : FX11L | ④ Connector type P : Header S : Receptacle |
| ② Form Symbol A : With guide post B : Without guide post | ⑤ Contact form SV : Straight SMT |
| ③ Number of contacts <input type="text"/> Type with ground plate Signal/Ground:60/6, 80/8, 100/10, 120/12 <input type="text"/> Type without ground Signal: 68, 92, 116, 140 | |

■ Receptacle with ground Plate

● 2mm stacking height



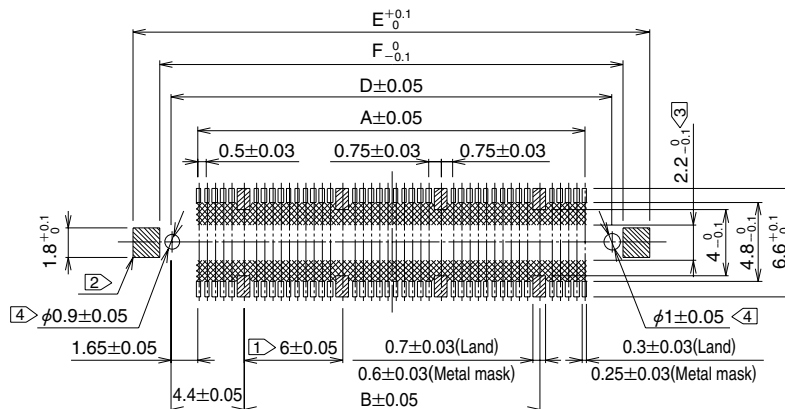
| Part Number | CL No. | Number of contacts | | A | B | C | D | E | F | Remarks | RoHS |
|-----------------------|---------------|--------------------|--------|------|----|----|------|------|------|--------------------|------|
| | | Signal | Ground | | | | | | | | |
| FX11LA- 60S/ 6-SV(71) | 573-0102-1-71 | 60 | 6 | 17.5 | 12 | 25 | 20.8 | 25.4 | 22.2 | With guideposts | YES |
| FX11LA- 80S/ 8-SV(71) | 573-0103-4-71 | 80 | 8 | 23.5 | 18 | 31 | 26.8 | 31.4 | 28.2 | | |
| FX11LA-100S/10-SV(71) | 573-0104-7-71 | 100 | 10 | 29.5 | 24 | 37 | 32.8 | 37.4 | 34.2 | | |
| FX11LA-120S/12-SV(71) | 573-0105-0-71 | 120 | 12 | 35.5 | 30 | 43 | 38.8 | 43.4 | 40.2 | | |
| FX11LB- 60S/ 6-SV(71) | 573-0112-5-71 | 60 | 6 | 17.5 | 12 | 25 | — | 25.4 | 22.2 | Without guideposts | |
| FX11LB- 80S/ 8-SV(71) | 573-0113-8-71 | 80 | 8 | 23.5 | 18 | 31 | — | 31.4 | 28.2 | | |
| FX11LB-100S/10-SV(71) | 573-0114-0-71 | 100 | 10 | 29.5 | 24 | 37 | — | 37.4 | 34.2 | | |
| FX11LB-120S/12-SV(71) | 573-0115-3-71 | 120 | 12 | 35.5 | 30 | 43 | — | 43.4 | 40.2 | | |

[Specifications number] – **, (**)
 (71): Tray packaging (Without pick-and-place tape)
 (91) : Embossed tape packaging (Without pick-and-place tape)
 (92) : Embossed tape packaging (With pick-and-place tape)

Note 1: There is no polarity in terms of board mounting for this product.
 Note 2: The coplanarity of this product's SMT leads is 0.1 mm or less.
 Note 3: Please order embossed tape packaged items by the reel. (One reel holds 1,000 pieces.)

◆ Recommended Land Pattern Dimensions (Metal Mask Dimensions)

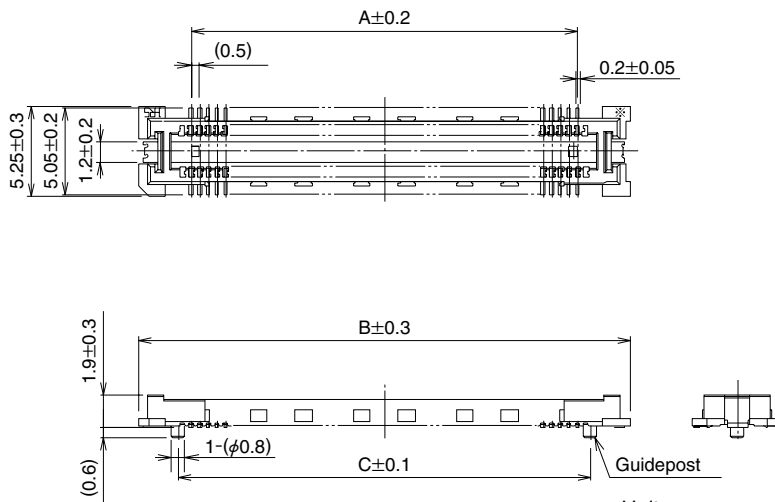
Recommended metal mask thickness: 0.15 mm



- Note ① Cross-hatched portions, totaling n places, indicate the ground circuits.
 Note ② Cross-hatched portions, 2 places on both sides, indicate the metal fittings.
 Note ③ The cross-hatched area inside the SMT land may come into contact with the connector contacts and thus care should be taken that the pattern does not extend beyond the SMT land width.
 Note ④ Not required in products without guideposts.

Header without ground Plate

2mm stacking height



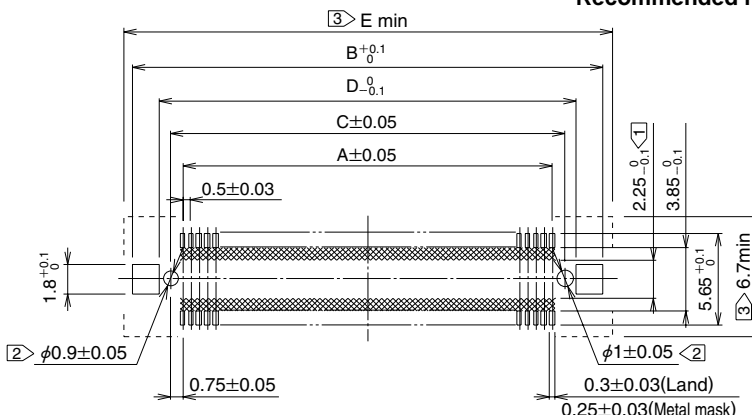
| Part Number | CL No. | Number of contacts | A | B | C | D | E | Remarks | RoHS |
|--------------------|----------------|--------------------|------|------|----|------|------|--------------------|------|
| | | Signal | | | | | | | |
| FX11LA- 68P-SV(**) | 573-0042-1-**- | 68 | 16.5 | 22.6 | 18 | 19.4 | 25.5 | With guideposts | YES |
| FX11LA- 92P-SV(**) | 573-0043-4-**- | 92 | 22.5 | 28.6 | 24 | 25.4 | 31.5 | | |
| FX11LA-116P-SV(**) | 573-0044-7-**- | 116 | 28.5 | 34.6 | 30 | 31.4 | 37.5 | | |
| FX11LA-140P-SV(**) | 573-0045-0-**- | 140 | 34.5 | 40.6 | 36 | 37.4 | 43.5 | | |
| FX11LB- 68P-SV(**) | 573-0052-5-**- | 68 | 16.5 | 22.6 | — | 19.4 | 25.5 | Without guideposts | |
| FX11LB- 92P-SV(**) | 573-0053-8-**- | 92 | 22.5 | 28.6 | — | 25.4 | 31.5 | | |
| FX11LB-116P-SV(**) | 573-0054-0-**- | 116 | 28.5 | 34.6 | — | 31.4 | 37.5 | | |
| FX11LB-140P-SV(**) | 573-0055-3-**- | 140 | 34.5 | 40.6 | — | 37.4 | 43.5 | | |

[Specifications number] – **, (**)
 Blank: Tray packaging (Without pick-and-place tape)
 (21) : Embossed tape packaging (Without pick-and-place tape)
 (22) : Embossed tape packaging (With pick-and-place tape)

Note 1: There is no polarity in terms of board mounting for this product.
 Note 2: The coplanarity of this product's SMT leads is 0.1 mm or less.
 Note 3: Please order embossed tape packaged items by the reel. (One reel holds 1,000 pieces.)

Recommended Land Pattern Dimensions (Metal Mask Dimensions)

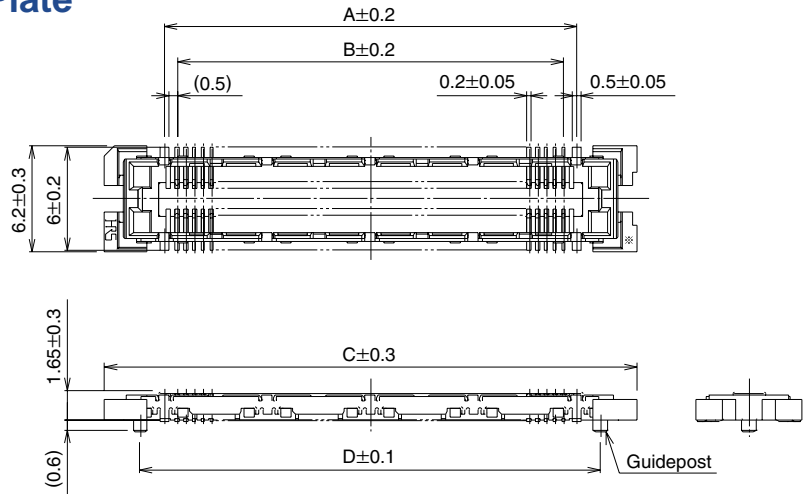
Recommended metal mask thickness: 0.15 mm



- Note ① The cross-hatched area inside the SMT land may come into contact with the connector contacts and thus care should be taken that the pattern does not extend beyond the SMT land width.
- Note ② Not required in products without guideposts.
- Note ③ Do not mount a part other than this product in the area of . Doing so will prevent the engagement of this and the mating connector.

■ Receptacle without ground Plate

● 2mm stacking height



Unit : mm

| Part Number | CL No. | Number of contacts | A | B | C | D | Remarks | RoHS |
|--------------------|----------------|--------------------|----|------|----|------|--------------------|------|
| | | Signal | | | | | | |
| FX11LA- 68S-SV(**) | 573-0142-6-**- | 68 | 18 | 16.5 | 25 | 20.8 | With guideposts | YES |
| FX11LA- 92S-SV(**) | 573-0143-9-**- | 92 | 24 | 22.5 | 31 | 26.8 | | |
| FX11LA-116S-SV(**) | 573-0144-1-**- | 116 | 30 | 28.5 | 37 | 32.8 | | |
| FX11LA-140S-SV(**) | 573-0145-4-**- | 140 | 36 | 34.5 | 43 | 38.8 | | |
| FX11LB- 68S-SV(**) | 573-0152-0-**- | 68 | 18 | 16.5 | 25 | — | Without guideposts | |
| FX11LB- 92S-SV(**) | 573-0153-2-**- | 92 | 24 | 22.5 | 31 | — | | |
| FX11LB-116S-SV(**) | 573-0154-5-**- | 116 | 30 | 28.5 | 37 | — | | |
| FX11LB-140S-SV(**) | 573-0155-8-**- | 140 | 36 | 34.5 | 43 | — | | |

[Specifications number] – **, (**)

Blank: Tray packaging (Without pick-and-place tape)

(21) : Embossed tape packaging (Without pick-and-place tape)

(22) : Embossed tape packaging (With pick-and-place tape)

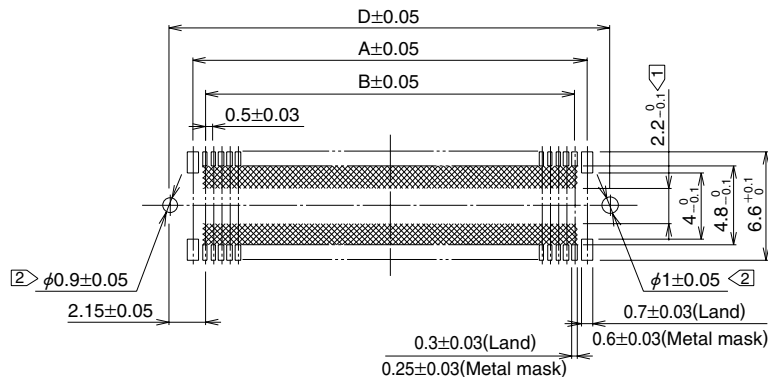
Note 1: There is no polarity in terms of board mounting for this product.

Note 2: The coplanarity of this product's SMT leads is 0.1 mm or less.

Note 3: Please order embossed tape packaged items by the reel. (One reel holds 1,000 pieces.)

◆ Recommended Land Pattern Dimensions (Metal Mask Dimensions)

Recommended metal mask thickness: 0.15 mm



Note ① The cross-hatched area inside the SMT land may come into contact with the connector contacts and thus care should be taken that the pattern does not extend beyond the SMT land width.

Note ② Not required in products without guideposts.

Stacking height : 2.5mm, 3mm

Product Specifications

| | | | | | | |
|--------|---------------|----------------|-----------------------------|--|---------------------------|-----------------------|
| Rating | Rated current | 0.3 A (Note 1) | Operating temperature range | -55 to 85°C | Storage temperature range | -10 to +60°C (Note 2) |
| | Rated voltage | 50 V AC | Operating humidity range | Relative humidity 95% or less (No condensation) | Storage humidity range | 40 to 70% (Note 2) |

| Item | Requirements | Conditions |
|---------------------------------|--|--|
| 1. Insulation resistance | 100 MΩ or greater | Measured at 100 V DC |
| 2. Voltage proof | No flashover or breakdown | 150 V AC applied for one minute |
| 3. Contact resistance | 70 mΩ or less | Measured at 100 mA |
| 4. Vibration | No electrical discontinuity for 1μs or greater No damage, cracks, or parts looseness | Frequency: 10 to 55 Hz, amplitude of 0.75 mm in 3 directions, 10 cycles each |
| 5. Shock | No electrical discontinuity for 1μs or longer No damage, cracks, or parts looseness | Acceleration of 490 m/s ² , 11ms duration, sine half-wave waveform, for 3 cycles in the both directions of each of the 3 axes |
| 6. Damp heat (Steady state) | Contact resistance of 80 mΩ or less, insulation resistance of 100 MΩ or greater, no damage, cracks, or parts looseness | Temperature of 40°C, humidity of 90 to 95%, duration 96 h |
| 7. Temperature cycle | Contact resistance of 80 mΩ or less, insulation resistance of 100 MΩ or greater, no damage, cracks, or parts looseness | Temperature: -55°C → 15 to 35°C → 85°C → 15 to 35°C Time: 30 min. → 2 to 3 min. → 30 min. → 2 to 3 min. for 5 cycles |
| 8. Durability | Contact resistance of 80 mΩ or less No damage, cracks, or parts looseness | 50 times |
| 9. Resistance to soldering heat | No melting of resin portion which affects performance | Reflow: At the recommended temperature profile Soldering iron temperature: 360°C for 5 seconds |

Note 1: The term storage refers to an unused products prior to board mounting (including packing materials) that is being kept for a long period. The operating temperature and humidity range are applied to the non-conducting condition following board assembly.
 Note 2: Information contained in this catalog represents general requirements for this Series. Contact us for the drawings and specifications for a specific part number shown.

Materials

| Part | Material | Finish | | Remarks |
|---------------|-----------------|-------------|--|---------|
| Insulator | LCP | Beige | | UL94V-0 |
| Contacts | Copper alloy | Header | Engagement Area: Gold plating of 0.1μm | _____ |
| | Phosphor bronze | Receptacle | Termination Area: Flash plating | |
| Ground plate | Phosphor bronze | Tin plating | | _____ |
| Metal fitting | Phosphor bronze | Tin plating | | _____ |
| Metal plate | | | | _____ |

Ordering information

Type With Ground Plate **FX11 # - * P / * - SV 0.5 (**)**

①
②
③
④
⑤
⑥
⑦

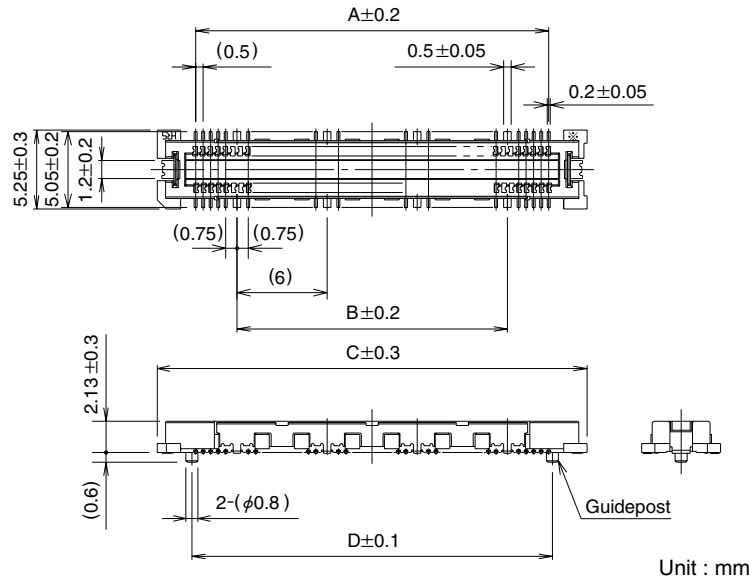
Type Without Ground Plate **FX11 # - * P - SV 0.5 (**)**

①
②
③
④
⑤
⑥
⑦

| | |
|--|---|
| ① Series name : FX11 | ④ Connector type P : Header S : Receptacle |
| ② Form Symbol A : With guide post B : Without guide post | ⑤ Contact form SV : Straight SMT |
| ③ Number of contacts <input type="text"/> Type with ground plate Signal/Ground:60/6, 80/8, 100/10 <input type="text"/> Type without ground Signal: 80, 100 | ⑥ Product height Blank: Standard 0.5 : Standard + 0.5mm ⑦ Blank, (71): Tray packaging (Without pick-and-place tape) (21),(91): Embossed tape packaging (Without pick-and-place tape) (22),(92): Embossed tape packaging (With pick-and-place tape) |

Header with ground plate

2.5mm stacking height



Unit : mm

| Part Number | CL No. | Number of contacts | | A | B | C | D | E | F | Remarks | RoHS |
|----------------------|---------------|--------------------|--------|------|----|------|----|------|------|--------------------|------|
| | | Signal | Ground | | | | | | | | |
| FX11A- 60P/06-SV(71) | 573-0502-0-71 | 60 | 6 | 17.5 | 12 | 22.6 | 18 | 19.4 | 25.5 | With guideposts | YES |
| FX11A- 80P/08-SV(71) | 573-0503-2-71 | 80 | 8 | 23.5 | 18 | 28.6 | 24 | 25.4 | 31.5 | | |
| FX11A-100P/10-SV(71) | 573-0504-5-71 | 100 | 10 | 29.5 | 24 | 34.6 | 30 | 31.4 | 37.5 | | |
| FX11B- 60P/06-SV(71) | 573-0512-3-71 | 60 | 6 | 17.5 | 12 | 22.6 | — | 19.4 | 25.5 | Without guideposts | |
| FX11B- 80P/08-SV(71) | 573-0513-6-71 | 80 | 8 | 23.5 | 18 | 28.6 | — | 25.4 | 31.5 | | |
| FX11B-100P/10-SV(71) | 573-0514-9-71 | 100 | 10 | 29.5 | 24 | 34.6 | — | 31.4 | 37.5 | | |

[Specifications number] - **, (**)

(71): Tray packaging (Without pick-and-place tape)

(91) : Embossed tape packaging (Without pick-and-place tape)

(92) : Embossed tape packaging (With pick-and-place tape)

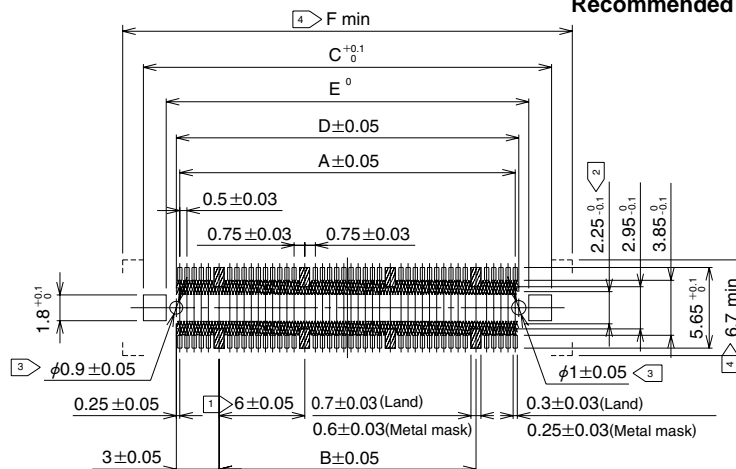
Note 1: There is no polarity in terms of board mounting for this product.

Note 2: The coplanarity of this product's SMT leads is 0.1 mm or less.

Note 3: Please order embossed tape packaged items by the reel. (One reel holds 1,000 pieces.)

Recommended Land Pattern Dimensions (Metal Mask Dimensions)

Recommended metal mask thickness: 0.15 mm



Note 1 ① Cross-hatched portions, totaling n places, indicate the ground circuits.

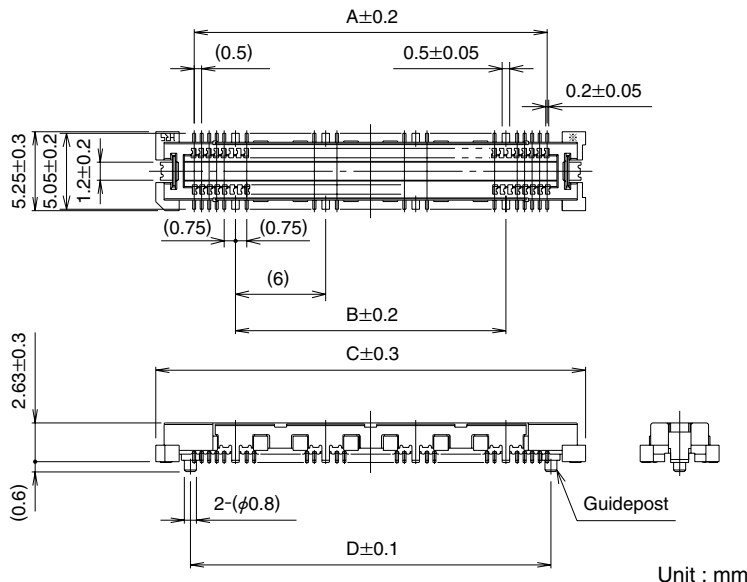
② The cross-hatched area inside the SMT land may come into contact with the connector contacts and thus care should be taken that the pattern does not extend beyond the SMT land width.

③ Not required in products without guideposts.

④ Do not mount a part other than this product in the area of . Doing so will prevent the engagement of this and the mating connector.

Header with ground plate

3mm stacking height

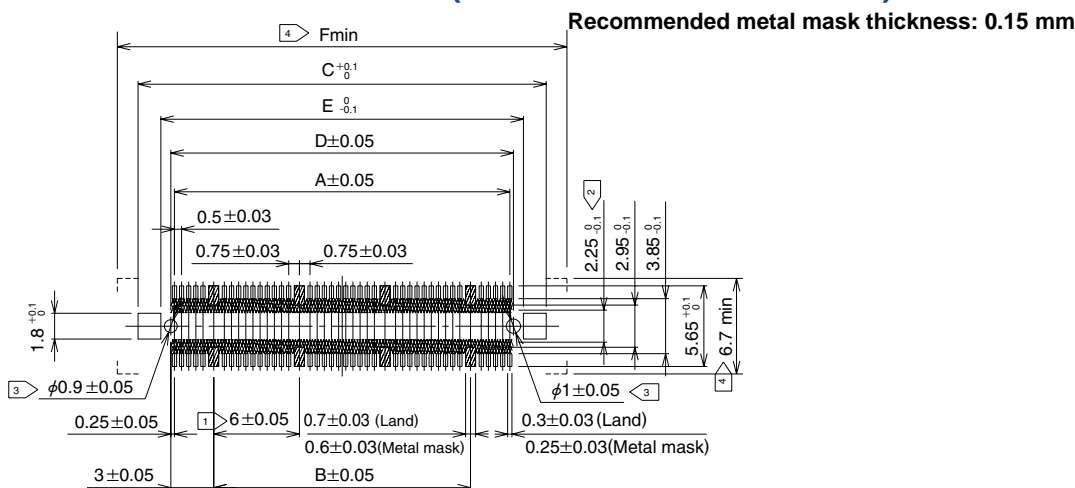


| Part Number | CL No. | Number of contacts | | A | B | C | D | E | F | Remarks | RoHS |
|-------------------------|---------------|--------------------|--------|------|----|------|----|------|------|--------------------|------|
| | | Signal | Ground | | | | | | | | |
| FX11A- 60P/ 6-SV0.5(71) | 573-0602-4-71 | 60 | 6 | 17.5 | 12 | 22.6 | 18 | 19.4 | 25.5 | With guideposts | YES |
| FX11A- 80P/ 8-SV0.5(71) | 573-0603-7-71 | 80 | 8 | 23.5 | 18 | 28.6 | 24 | 25.4 | 31.5 | | |
| FX11A-100P/10-SV0.5(71) | 573-0604-0-71 | 100 | 10 | 29.5 | 24 | 34.6 | 30 | 31.4 | 37.5 | | |
| FX11B- 60P/ 6-SV0.5(71) | 573-0612-8-71 | 60 | 6 | 17.5 | 12 | 22.6 | — | 19.4 | 25.5 | Without guideposts | |
| FX11B- 80P/ 8-SV0.5(71) | 573-0613-0-71 | 80 | 8 | 23.5 | 18 | 28.6 | — | 25.4 | 31.5 | | |
| FX11B-100P/10-SV0.5(71) | 573-0614-3-71 | 100 | 10 | 29.5 | 24 | 34.6 | — | 31.4 | 37.5 | | |

[Specifications number] - **, (**)
 (71): Tray packaging (Without pick-and-place tape)
 (91) : Embossed tape packaging (Without pick-and-place tape)
 (92) : Embossed tape packaging (With pick-and-place tape)

Note 1: There is no polarity in terms of board mounting for this product.
 Note 2: The coplanarity of this product's SMT leads is 0.1 mm or less.
 Note 3: Please order embossed tape packaged items by the reel. (One reel holds 1,000 pieces.)

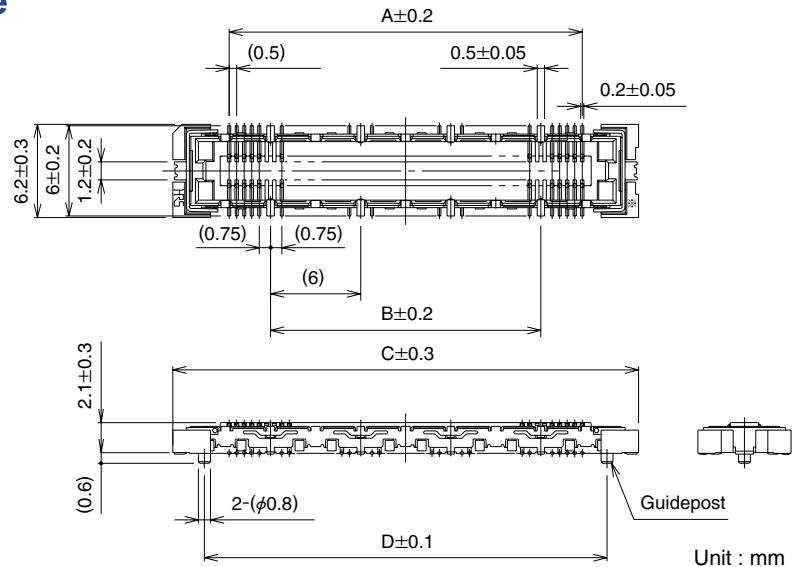
Recommended Land Pattern Dimensions (Metal Mask Dimensions)



- Note 1: Cross-hatched portions, totaling n places, indicate the ground circuits.
 Note 2: The cross-hatched area inside the SMT land may come into contact with the connector contacts and thus care should be taken that the pattern does not extend beyond the SMT land width.
 Note 3: Not required in products without guideposts.
 Note 4: Do not mount a part other than this product in the area of . Doing so will prevent the engagement of this and the mating connector.

Receptacle with ground plate

2.5mm, 3mm stacking height



| Part Number | CL No. | Number of contacts | | A | B | C | D | E | F | Remarks | RoHS |
|----------------------|---------------|--------------------|--------|------|----|----|------|------|------|--------------------|------|
| | | Signal | Ground | | | | | | | | |
| FX11A- 60S/ 6-SV(71) | 573-0702-9-71 | 60 | 6 | 17.5 | 12 | 25 | 20.8 | 25.4 | 22.2 | With guideposts | YES |
| FX11A- 80S/ 8-SV(71) | 573-0703-1-71 | 80 | 8 | 23.5 | 18 | 31 | 26.8 | 31.4 | 28.2 | | |
| FX11A-100S/10-SV(71) | 573-0704-4-71 | 100 | 10 | 29.5 | 24 | 37 | 32.8 | 37.4 | 34.2 | | |
| FX11B- 60S/ 6-SV(71) | 573-0712-2-71 | 60 | 6 | 17.5 | 12 | 25 | — | 25.4 | 22.2 | Without guideposts | |
| FX11B- 80S/ 8-SV(71) | 573-0713-5-71 | 80 | 8 | 23.5 | 18 | 31 | — | 31.4 | 28.2 | | |
| FX11B-100S/10-SV(71) | 573-0714-8-71 | 100 | 10 | 29.5 | 24 | 37 | — | 37.4 | 34.2 | | |

[Specifications number] – **, (**)

(71): Tray packaging (Without pick-and-place tape)

(91) : Embossed tape packaging (Without pick-and-place tape)

(92) : Embossed tape packaging (With pick-and-place tape)

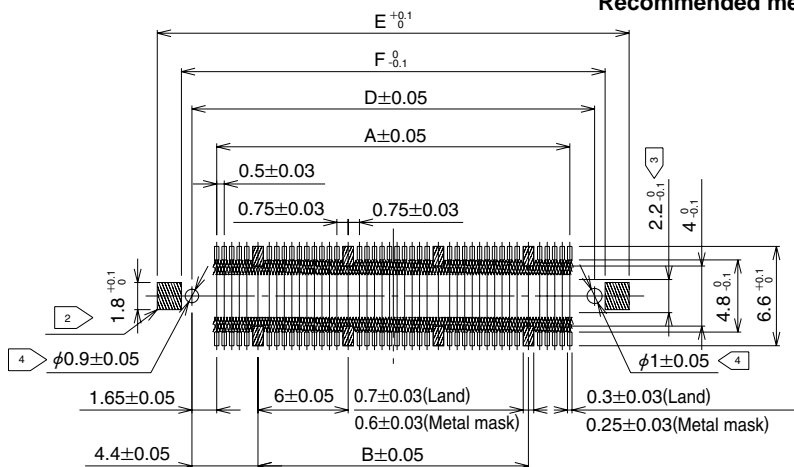
Note 1: There is no polarity in terms of board mounting for this product.

Note 2: The coplanarity of this product's SMT leads is 0.1 mm or less.

Note 3: Please order embossed tape packaged items by the reel. (One reel holds 1,000 pieces.)

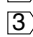
Recommended Land Pattern Dimensions (Metal Mask Dimensions)

Recommended metal mask thickness: 0.15 mm



Note ① Cross-hatched portions, totaling n places, indicate the ground circuits.

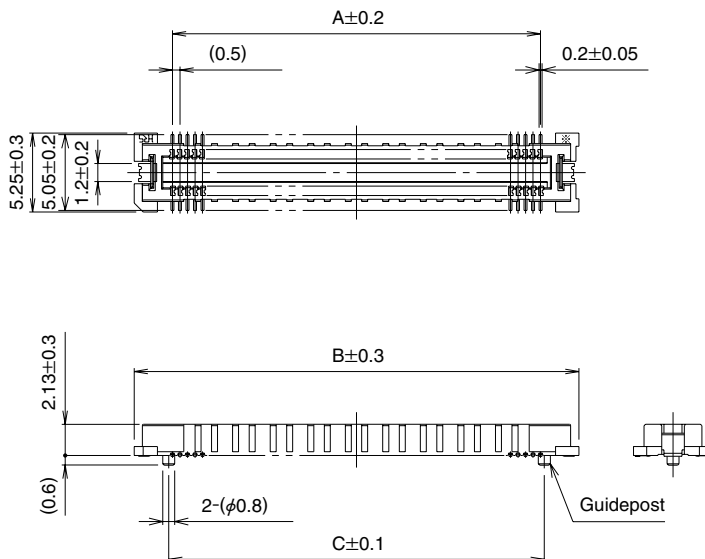
Note ② Cross-hatched portions, totaling 2 places, indicate the metal fittings.

Note ③ The cross-hatched area  inside the SMT land may come into contact with the connector contacts and thus care should be taken that the pattern does not extend beyond the SMT land width.

Note ④ Not required in products without guideposts.

Header without ground Plate

2.5mm stacking height



Unit : mm

| Part Number | CL No. | Number of contacts | A | B | C | D | E | Remarks | RoHS |
|-------------------|----------------|--------------------|------|------|----|------|------|--------------------|------|
| | | Signal | | | | | | | |
| FX11A- 80P-SV(**) | 573-0548-0-**- | 80 | 19.5 | 24.6 | 20 | 21.4 | 27.5 | With guideposts | YES |
| FX11A-100P-SV(**) | 573-0543-7-**- | 100 | 24.5 | 29.6 | 25 | 26.4 | 32.5 | | |
| FX11B- 80P-SV(**) | 573-0558-4-**- | 80 | 19.5 | 24.6 | — | 21.4 | 27.5 | Without guideposts | |
| FX11B-100P-SV(**) | 573-0553-0-**- | 100 | 24.5 | 29.6 | — | 26.4 | 32.5 | | |

[Specifications number] – **, (**)

Blank: Tray packaging (Without pick-and-place tape)

(21) : Embossed tape packaging (Without pick-and-place tape)

(22) : Embossed tape packaging (With pick-and-place tape)

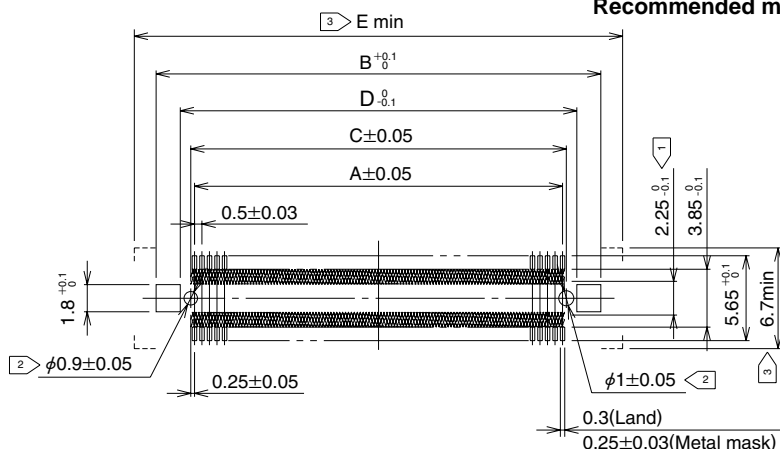
Note 1: There is no polarity in terms of board mounting for this product.


Note 2: The coplanarity of this product's SMT leads is 0.1 mm or less.

Note 3: Please order embossed tape packaged items by the reel. (One reel holds 1,000 pieces.)

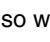
Recommended Land Pattern Dimensions (Metal Mask Dimensions)

Recommended metal mask thickness: 0.15 mm



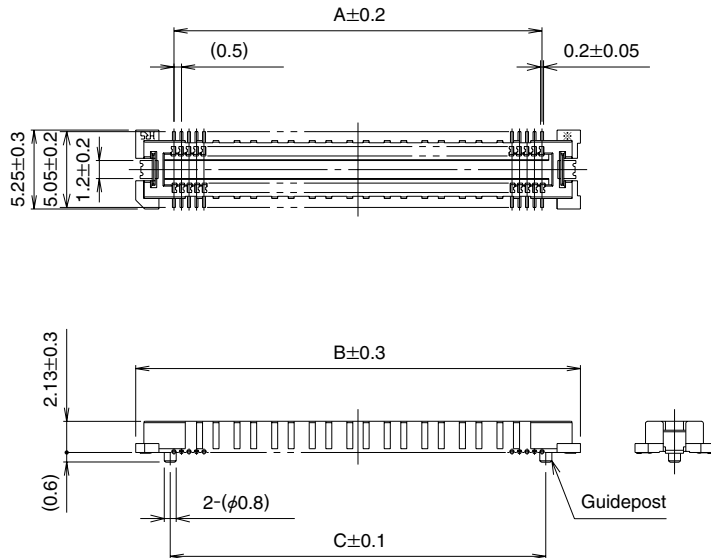
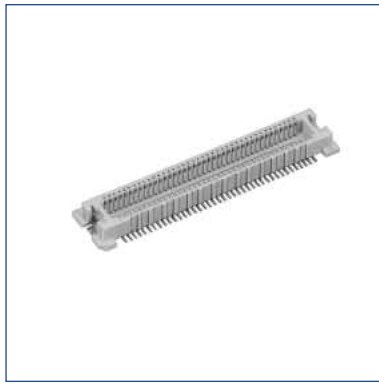
Note ① The cross-hatched area  inside the SMT land may come into contact with the connector contacts and thus care should be taken that the pattern does not extend beyond the SMT land width.

② Not required in products without guideposts.

③ Do not mount a part other than this product in the area of . Doing so will prevent the engagement of this and the mating connector.

Header without ground Plate

3mm stacking height



Unit : mm

| Part Number | CL No. | Number of contacts | A | B | C | D | E | Remarks | RoHS |
|----------------------|----------------|--------------------|------|------|----|------|------|--------------------|------|
| | | Signal | | | | | | | |
| FX11A- 80P-SV0.5(**) | 573-0648-5-*** | 80 | 19.5 | 24.6 | 20 | 21.4 | 27.5 | With guideposts | YES |
| FX11A-100P-SV0.5(**) | 573-0643-1-*** | 100 | 24.5 | 29.6 | 25 | 26.4 | 32.5 | | |
| FX11B- 80P-SV0.5(**) | 573-0658-9-*** | 80 | 19.5 | 24.6 | — | 21.4 | 27.5 | Without guideposts | |
| FX11B-100P-SV0.5(**) | 573-0653-5-*** | 100 | 24.5 | 29.6 | — | 26.4 | 32.5 | | |

[Specifications number] – **, (**)

Blank: Tray packaging (Without pick-and-place tape)

(21) : Embossed tape packaging (Without pick-and-place tape)

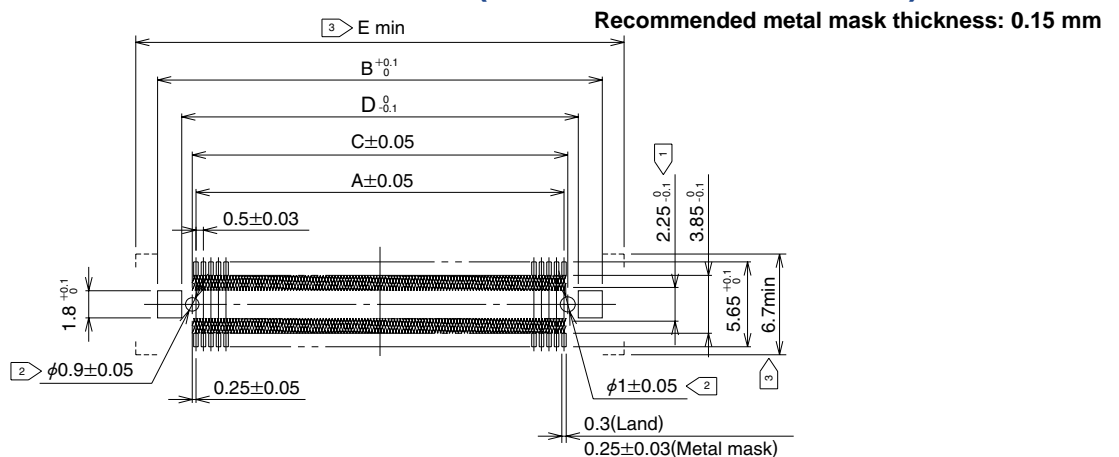
(22) : Embossed tape packaging (With pick-and-place tape)


Note 1: There is no polarity in terms of board mounting for this product.

Note 2: The coplanarity of this product's SMT leads is 0.1 mm or less.

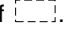
Note 3: Please order embossed tape packaged items by the reel. (One reel holds 1,000 pieces.)

Recommended Land Pattern Dimensions (Metal Mask Dimensions)



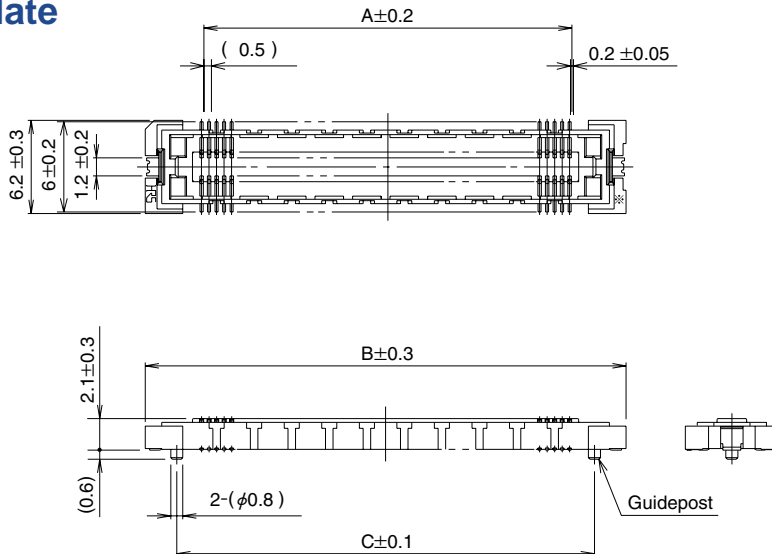
Note ① The cross-hatched area  inside the SMT land may come into contact with the connector contacts and thus care should be taken that the pattern does not extend beyond the SMT land width.

② Not required in products without guideposts.

③ Do not mount a part other than this product in the area of . Doing so will prevent the engagement of this and the mating connector.

■ Receptacle without ground plate

● 2.5mm, 3mm stacking height



Unit : mm

| Part Number | CL No. | Number of contacts | A | B | C | D | E | Remarks | RoHS |
|-------------------|---------------|--------------------|------|----|------|------|------|--------------------|------|
| | | Signal | | | | | | | |
| FX11A- 80S-SV(**) | 573-0748-0-** | 80 | 19.5 | 27 | 22.8 | 27.4 | 24.2 | With guideposts | YES |
| FX11A-100S-SV(**) | 573-0743-6-** | 100 | 24.5 | 32 | 27.8 | 32.4 | 29.2 | | |
| FX11B- 80S-SV(**) | 573-0758-3-** | 80 | 19.5 | 27 | — | 27.4 | 24.2 | Without guideposts | |
| FX11B-100S-SV(**) | 573-0753-0-** | 100 | 24.5 | 32 | — | 32.4 | 29.2 | | |

[Specifications number] – **, (**)

Blank: Tray packaging (Without pick-and-place tape)

(21) : Embossed tape packaging (Without pick-and-place tape)

(22) : Embossed tape packaging (With pick-and-place tape)

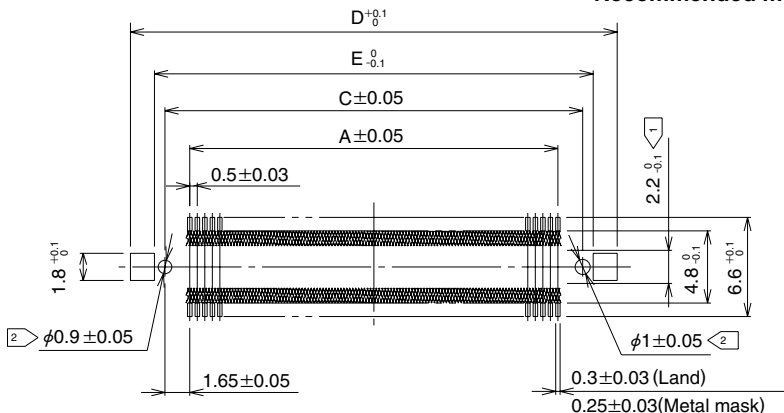
Note 1: There is no polarity in terms of board mounting for this product.


Note 2: The coplanarity of this product's SMT leads is 0.1 mm or less.

Note 3: Please order embossed tape packaged items by the reel. (One reel holds 1,000 pieces.)

◆ Recommended Land Pattern Dimensions (Metal Mask Dimensions)

Recommended metal mask thickness: 0.15 mm

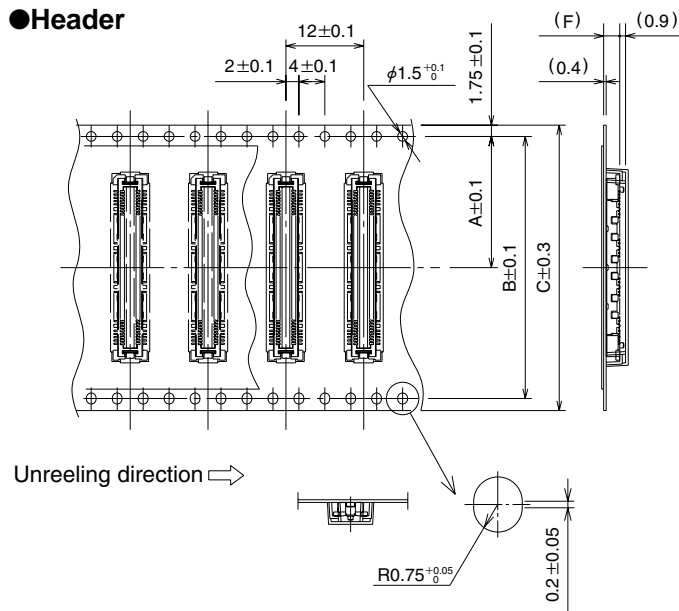


Note ① The cross-hatched area  inside the SMT land may come into contact with the connector contacts and thus care should be taken that the pattern does not extend beyond the SMT land width.

Note ② Not required in products without guideposts.

◆ Embossed Carrier Tape Dimensions

● Header



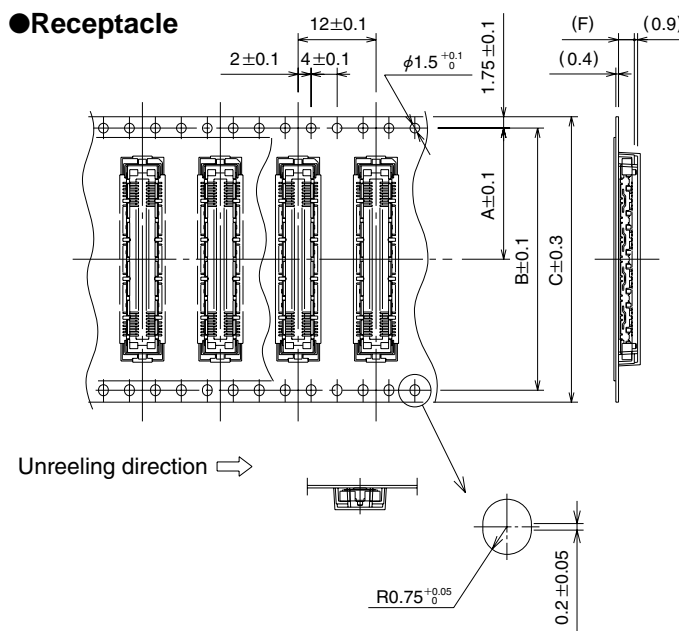
Unit : mm

| Insertion Connector | A | B | C | D | E | F | | |
|----------------------|------|------|----|------|------|------|------|------|
| FX11L#- 60P/ 6-SV | 20.2 | 40.4 | 44 | 45.5 | 50.5 | 1.98 | | |
| FX11L#- 80P/ 8-SV | | | | | | | | |
| FX11L#-100P/10-SV | 26.2 | 52.4 | 56 | 59 | 64 | | 2.48 | |
| FX11L#- 120P/12-SV | | | | | | | | |
| FX11L#- 68P -SV | 20.2 | 40.4 | 44 | 45.5 | 50.5 | | | 2.98 |
| FX11L#- 92P -SV | | | | | | | | |
| FX11L#-116P -SV | 26.2 | 52.4 | 56 | 59 | 64 | 2.48 | | |
| FX11L#-140P -SV | | | | | | | | |
| FX11 #- 60P/ 6-SV | 20.2 | 40.4 | 44 | 45.5 | 50.5 | | 2.48 | |
| FX11 #- 80P/ 8-SV | | | | | | | | |
| FX11 #-100P/10-SV | 26.2 | 52.4 | 56 | 59 | 64 | | | 2.98 |
| FX11 #- 80P -SV | | | | | | | | |
| FX11 #-100P -SV | 20.2 | 40.4 | 44 | 45.5 | 50.5 | 2.98 | | |
| FX11 #- 60P/ 6-SV0.5 | | | | | | | | |
| FX11 #- 80P/ 8-SV0.5 | 20.2 | 40.4 | 44 | 45.5 | 50.5 | | 2.98 | |
| FX11 #-100P/10-SV0.5 | | | | | | | | |
| FX11 #- 80P -SV0.5 | 20.2 | 40.4 | 44 | 45.5 | 50.5 | | | 2.98 |
| FX11 #-100P -SV0.5 | | | | | | | | |

Note 1: There is no polarity in terms of embossed tape packaging for this product.

Note 2: Left figure is representative of products with ground plates.

● Receptacle



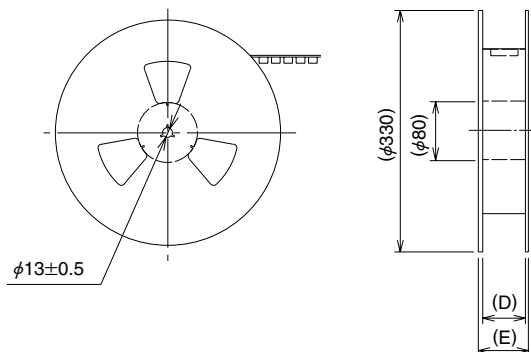
Unit : mm

| Insertion Connector | A | B | C | D | E | F | | |
|---------------------|------|------|----|------|------|------|------|------|
| FX11L#- 60S/ 6-SV | 20.2 | 40.4 | 44 | 45.5 | 50.5 | 2 | | |
| FX11L#- 80S/ 8-SV | | | | | | | | |
| FX11L#-100S/10-SV | 26.2 | 52.4 | 56 | 59 | 64 | | 2.45 | |
| FX11L#- 120S/12-SV | | | | | | | | |
| FX11L#- 68S -SV | 20.2 | 40.4 | 44 | 45.5 | 50.5 | | | 2.45 |
| FX11L#- 92S -SV | | | | | | | | |
| FX11L#-116S -SV | 26.2 | 52.4 | 56 | 59 | 64 | 2.45 | | |
| FX11L#-140S -SV | | | | | | | | |
| FX11 #- 60S/ 6-SV | 20.2 | 40.4 | 44 | 45.5 | 50.5 | | 2.45 | |
| FX11 #- 80S/ 8-SV | | | | | | | | |
| FX11 #-100S/10-SV | 26.2 | 52.4 | 56 | 59 | 64 | | | 2.45 |
| FX11 #- 80S -SV | | | | | | | | |
| FX11 #-100S -SV | 20.2 | 40.4 | 44 | 45.5 | 50.5 | 2.45 | | |
| FX11 #-100S -SV | | | | | | | | |

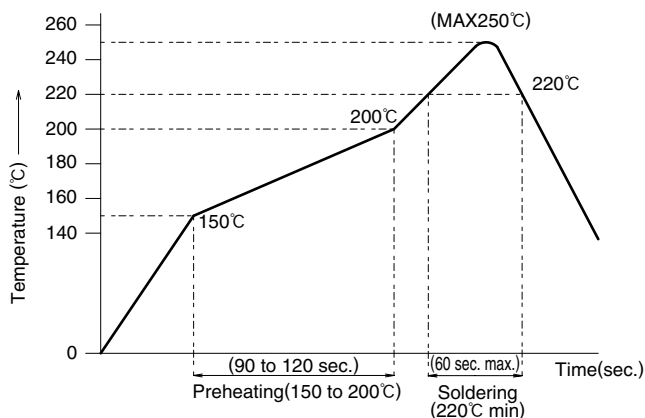
Note 1: There is no polarity in terms of embossed tape packaging for this product.

Note 2: Left figure is representative of products with ground plates.

● Reel Dimensions



◆ Recommended Temperature Profile



Note : The temperature profile indicates the maximum temperature of the connector surfaces at the highest point from the PCB mounting surface.

HRS test conditions

Test board Glass epoxy 60mm×35mm×1.6mm thick
 Solder method : Reflow
 Solder composition : Paste, 96.5%Sn/ 3%Ag/ 0.5%Cu
 Metal mask : 0.15mm thick
 Reflow cycles : 2 cycles

The temperature profile is based on the above conditions. In individual applications the actual temperature may vary, depending on solder paste type, volume/thickness and board size/thickness. Consult your solder paste and equipment manufacturer for specific recommendations.

◆ Washing Conditions

Organic Solvent Washing

| Solvent | Room temperature washing | Heated washing |
|-------------------------------|--------------------------|----------------|
| IPA(Isopropyl alcohol) | Yes | Yes |
| HCFC(Hydrochlorofluorocarbon) | Yes | Yes |

Water Type Washing

When using water type cleaning agents (e.g., terpene, and alkali saponifiers), select the cleaning agent based on the documentation issued by the various manufacturers of cleaning agents which describes the effects on metals and resins. Be careful that parts are not left with moisture remaining on them.

Washing Precautions

Residual flux or cleaning agent on the contacts when washing with organic solvents or water type cleaners can give rise to the deterioration of electrical performance. In this regard it is important to check whether a thorough washing has been performed.

◆ Connector Handling Precautions

1. Allowable Creepage Dimensions at Time of Mating

[Stacking height : 2mm]

The effective coupling length of this product is 0.55 mm for the signal portion and the ground portion. The creepage of the header and receptacle at the time of mating should be within 0.18 mm of the completely coupled condition.

[Stacking height : 2.5mm, 3mm]

The effective coupling length of this product is 1 mm for the signal portion and 0.7mm for the ground portion. The creepage of the header and receptacle at the time of mating should be within 0.4 mm of the completely coupled condition.

2. Compatibility

2mm type and 2.5mm, 3mm type, with ground plate type and without ground type are not mated with each other.

3. Retension of Boards

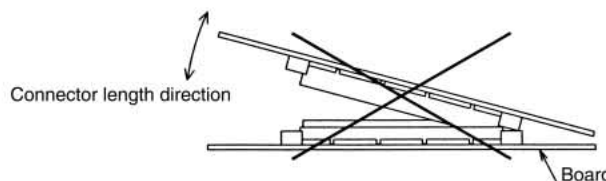
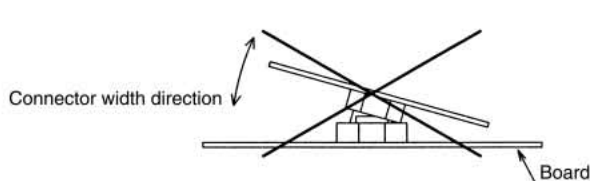
Avoid the support of boards by connectors alone and adopt a board locking measure that does not rely on the connectors.

4. Solder Repair

Flux may rise as far as the contact portion of the connector depending on the flux coating and other factors at the time of repair. This will cause poor contact reliability; therefore, before use, the aforementioned washing conditions should be taken into consideration prior to connector washing.

5. Miscellaneous

- Note that excessive twisting while inserting or withdrawing connectors will cause damage.
- The shade of the molded items may vary somewhat depending on the manufacturing lot; however, this does not affect performance.



USA:

HIROSE ELECTRIC (U.S.A.), INC. Headquarters

2688 Westhills Court, Simi Valley, CA 93065-6235
 Phone : +1-805-522-7958
 Fax : +1-805-522-3217
<http://www.hiroseusa.com>

USA:

HIROSE ELECTRIC (U.S.A.), INC. San Jose Office

20400 Stevens Creek Blvd., Ste 250, Cupertino, CA 95014
 Phone : +1-408-253-9640
 Fax : +1-408-253-9641
<http://www.hiroseusa.com>

USA:

HIROSE ELECTRIC (U.S.A.), INC. Detroit Office (Automotive)

37677 Professional Center Drive, Suite #100C Livonia, MI 48154
 Phone : +1-734-542-9963
 Fax : +1-734-542-9964
<http://www.hiroseusa.com>

THE NETHERLANDS:

HIROSE ELECTRIC EUROPE B.V.

Hogehillweg #8 1101 CC Amsterdam Z-0
 Phone : +31-20-6557460
 Fax : +31-20-6557469
<http://www.hiroseeurope.com>

GERMANY:

HIROSE ELECTRIC EUROPE B.V. GERMAN BRANCH

Herzog-Carl-Strasse 4 D-73760 Ostfildern (Scharnhauser Park)
 Phone : +49-711-4560-02-1
 Fax : +49-711-4560-02-299
<http://www.hirose.de>

UNITED KINGDOM:

HIROSE ELECTRIC EUROPE B.V. UK BRANCH

First Floor, St Andrews House, Caldecotte Lake Business Park, Milton Keynes MK7 8LE
 Phone : +44-1908-369060
 Fax : +44-1908-369078
<http://www.hirose.co.uk>

CHINA:

HIROSE ELECTRIC (SHANGHAI) CO., LTD.

1601,Henderson Metropolitan,NO.300 ,East Nanjing Road,Huangpu District, Shanghai,China 200001
 Phone : +86-21-6391-3355
 Fax : +86-21-6391-3335
<http://www.hirose-china.com.cn>

CHINA:

HIROSE ELECTRIC (SHANGHAI) CO., LTD. BEIJING BRANCH

A1001, Ocean International Center, Building 56# East 4th Ring Middle Road, Chao Yang District, Beijing, 100025
 Phone : +86-10-5165-9332
 Fax : +86-10-5908-1381
<http://www.hirose-china.com.cn>

CHINA:

HIROSE ELECTRIC TECHNOLOGIES (SHENZHEN) CO., LTD.

Room 09-13, 19/F, Office Tower Shun Hing Square, Di Wang Commercial Centre 5002, ShenNanDong Road, ShenZhen City, Guangdong Province, 518008
 Phone : +86-755-8207-0851
 Fax : +86-755-8207-0873
<http://www.hirose-china.com.cn>

HONG KONG:

HIROSE ELECTRIC HONGKONG TRADING CO., LTD.

Room 1001, West Wing, Tsim Sha Tsui Centre, 66 Mody Road, Tsim Sha Tsui East, Kowloon, Hong Kong
 Phone : +852-2803-5338
 Fax : +852-2591-6560
<http://www.hirose-hongkong.com.hk>

TAIWAN:

HIROSE ELECTRIC TAIWAN CO., LTD.

103 8F, No.87, Zhengzhou Rd., Taipei
 Phone : +886-2-2555-7377
 Fax : +886-2-2555-7350
<http://www.hirose-taiwan.com.tw>

KOREA:

HIROSE KOREA CO., LTD.

1261-10, Jeoungwhang-Dong, Shihung-City, Kyunggi-Do 429-450
 Phone : +82-31-496-7000,7124
 Fax : +82-31-496-7100
<http://www.hirose.co.kr>

SINGAPORE:

HIROSE ELECTRIC SINGAPORE PTE. LTD.

10 Anson Road #26-16 International Plaza 079903
 Phone : +65-6324-6113
 Fax : +65-6324-6123
<http://www.hirose-singapore.com.sg>

INDIA:

HIROSE ELECTRIC SINGAPORE PTE. LTD. BANGALORE LIAISON OFFICE

Unit No.03, Ground Floor, Explorer Building International Tech Park Whitefield Road, Bangalore 560066 Karnataka, India
 Phone : +65-6324-6113
 Fax : +65-6324-6123
<http://www.hirose-singapore.com.sg>



HIROSE ELECTRIC CO.,LTD.

6-3,Nakagawa Chuoh-2-Chome,Tsuzuki-Ku,Yokohama-Shi 224-8540,JAPAN
 TEL: +81-45-620-3526 Fax: +81-45-591-3726
<http://www.hirose.com>
<http://www.hirose-connectors.com>