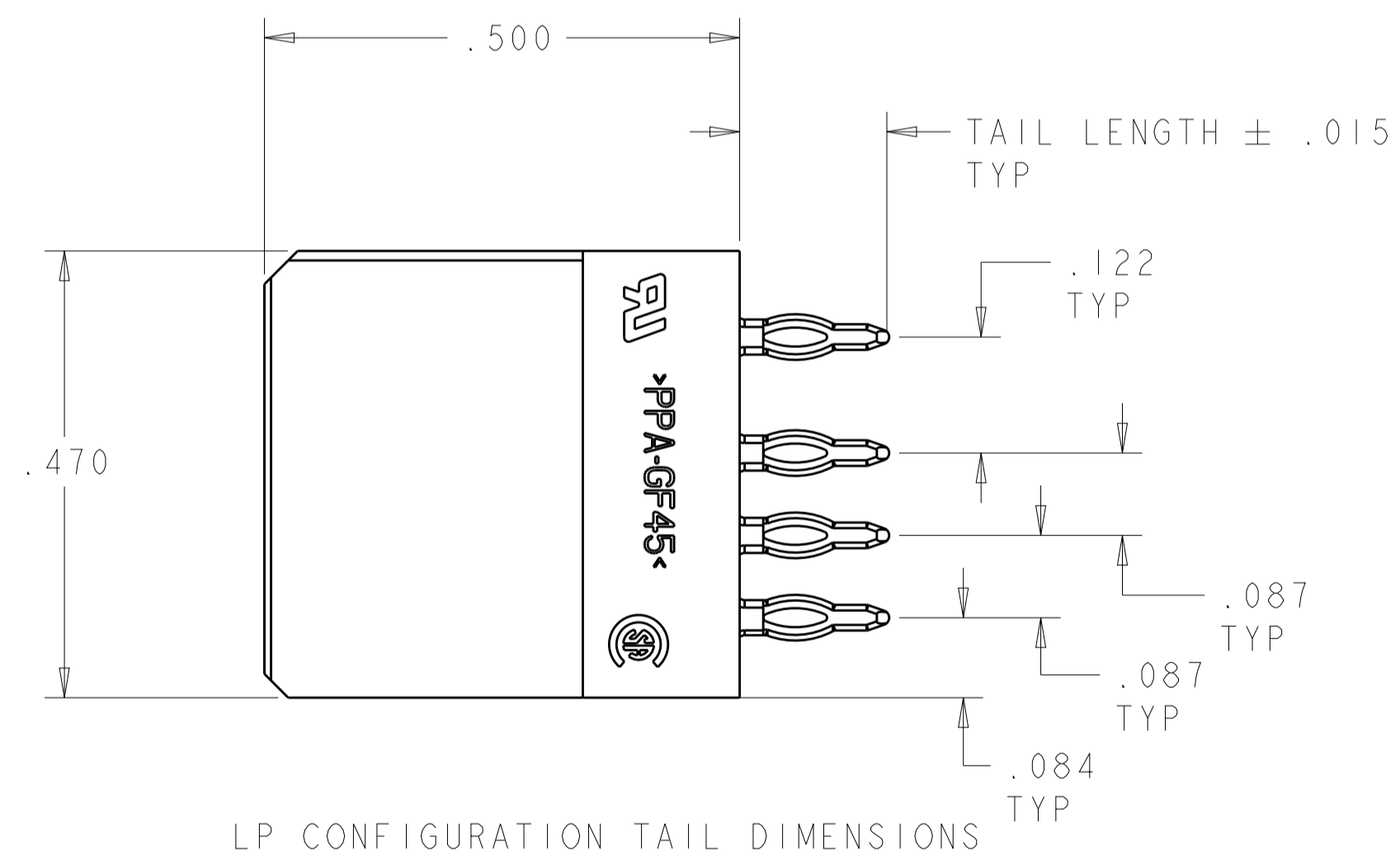
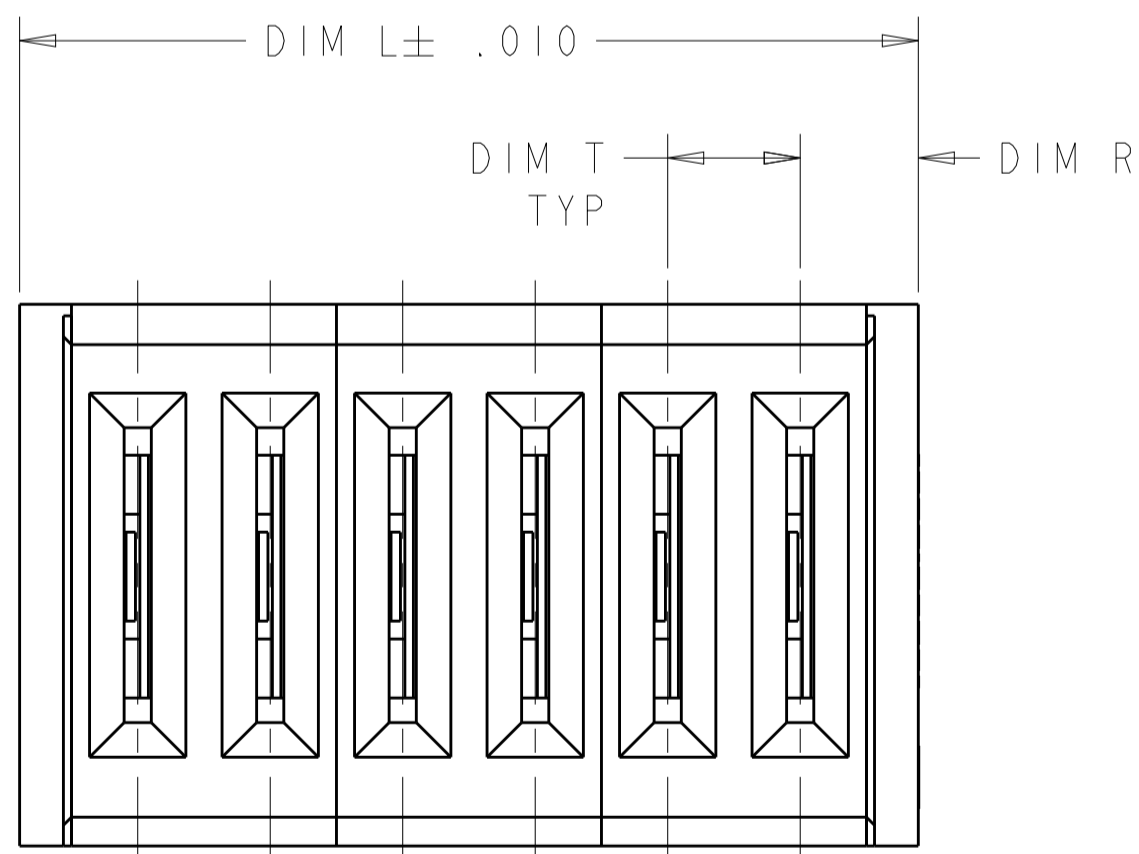
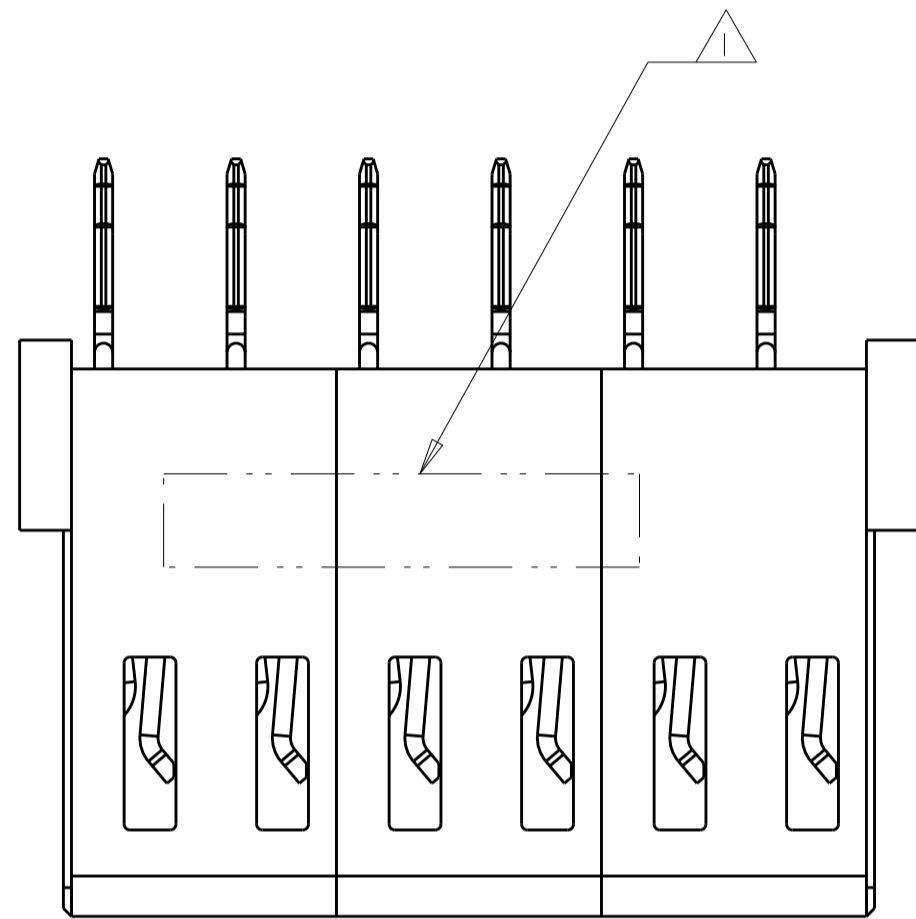
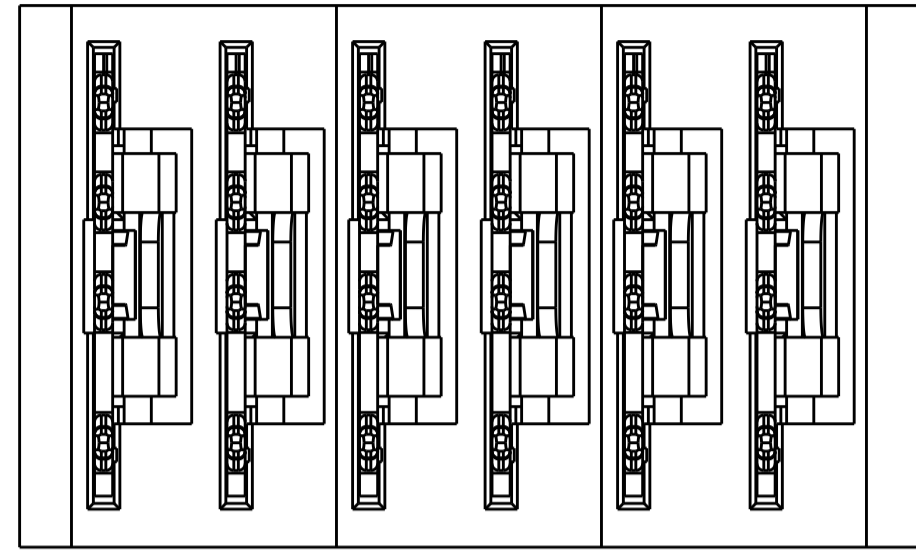


LOC	DIST	REVISIONS					
		P	LTN	DESCRIPTION	DATE	DWN	APVD
ES	00						
	D6			UPDATE -16 MODEL AND PCB LAYOUT	20FEB2013	AY	SZ
	D7			ADDED NEW DASH NUMBER	20MAY2013	CZ	SZ
	E			ADDED NEW DASH NUMBER 2-2	27FEB2015	CZ	SZ
	E1			ADD NEW DASH NUMBER 2-3	20MAR2015	CZ	SZ



LP CONFIGURATION TAIL DIMENSIONS

- 1 "AMP" PART NUMBER AND DATE CODE TO BE MARKED IN AREA SHOWN. PARTS 2.00 OR LESS MAYBE MARKED ON BOTH SIDES.
- 2 MATERIAL: HOUSING - GLASS FILLED HIGH TEMP THERMO PLASTIC, UL94 V-0
POWER CONTACT - HIGH CONDUCTIVITY COPPER ALLOY
- 3 CONTACT PLATING: NOBLE METAL PLATING ON CONTACT FUNCTIONAL AREA OF POWER AND SIGNAL CONTACTS.
- 4 MECHANICAL CONNECTOR KEEP OUT ZONE
- 5 DATUM AND BASIC DIMENSIONS ESTABLISHED BY CUSTOMER
- 6 PCB - ALL HOLE DIMENSIONS ARE FINISHED HOLE SIZES
- 7 PCB - .0453±.0010 DRILLED HOLES. PLATED WITH .0003 MIN Sn OVER .001 TO .003 Cu PLATING TO ACHIEVE A .040 DIA. HOLE
- 8 FOR PART NUMBER 6450869-4,6450869-5,6450869-6,6450869-7 PLEASE REFER TO SHEET 2.
- 9 VARIABLE DIMENSIONS PLEASE REFER TO TABLE.
- 10 PLEASE REFER TO PARTS VIEW FOR DETAIL DIMENTIONS.

S	W	R	T	L	DESCRIPTION	PART NUMBER
-	-	.1025	.115	.435	3LP	2-6450869-3
-	-	.1025	.115	.320	2LP	2-6450869-2
-	-	-	-	.540	2P	1-6450869-7
-	-	-	-	2.820	2HDP + 3LP + 40S + 4LP + 2HDP	1-6450869-6
-	-	-	-	1.370	1LP + 40S + 1LP	1-6450869-5
-	-	-	-	2.820	2ACP+ 1LP + 32S + 3HDP + 1LP + 1HDP	1-6450869-4
-	-	-	-	.400	2P	1-6450869-3
-	-	-	-	-	8P	6450869-8
-	-	.170	.200	2.715	12P	6450869-7
4.070	.120	1.295	.200	5.090	44S + 14P + 40S	6450869-6
-	1.595	.345	-	2.015	4P + 16S	6450869-5
-	.120	.795	.200	1.340	24S + 2P	6450869-4
-	-	-	-	-	4S + 17HDP + 8S	6450869-3
-	-	-	-	-	8S + 27P + 8S	6450869-2
-	-	.1025	.115	.780	6 LP	6450869-1

THIS DRAWING IS A CONTROLLED DOCUMENT. DWN: H.LIU 30APR2008
 CHK: S.ZHAO 30APR2008

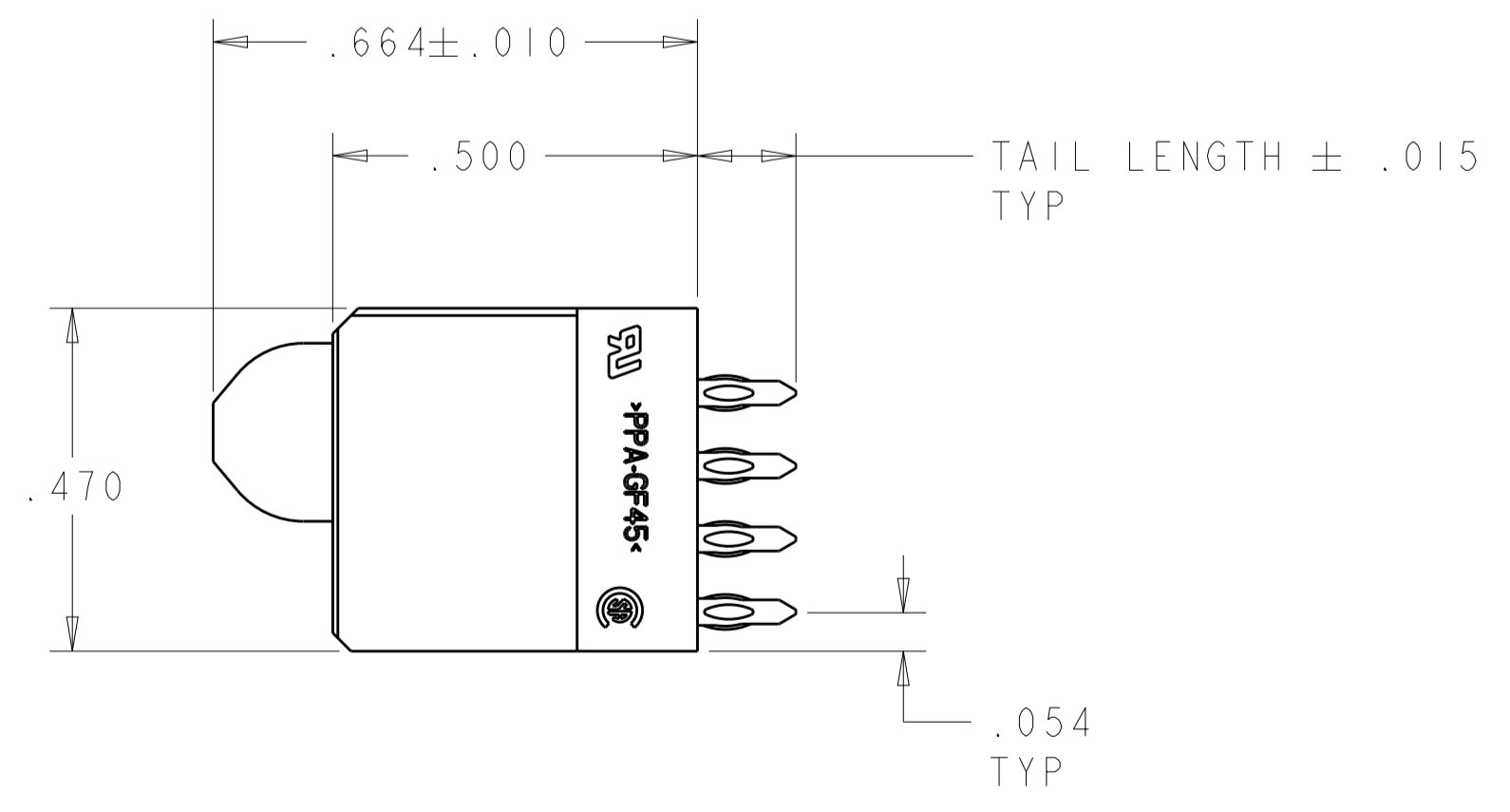
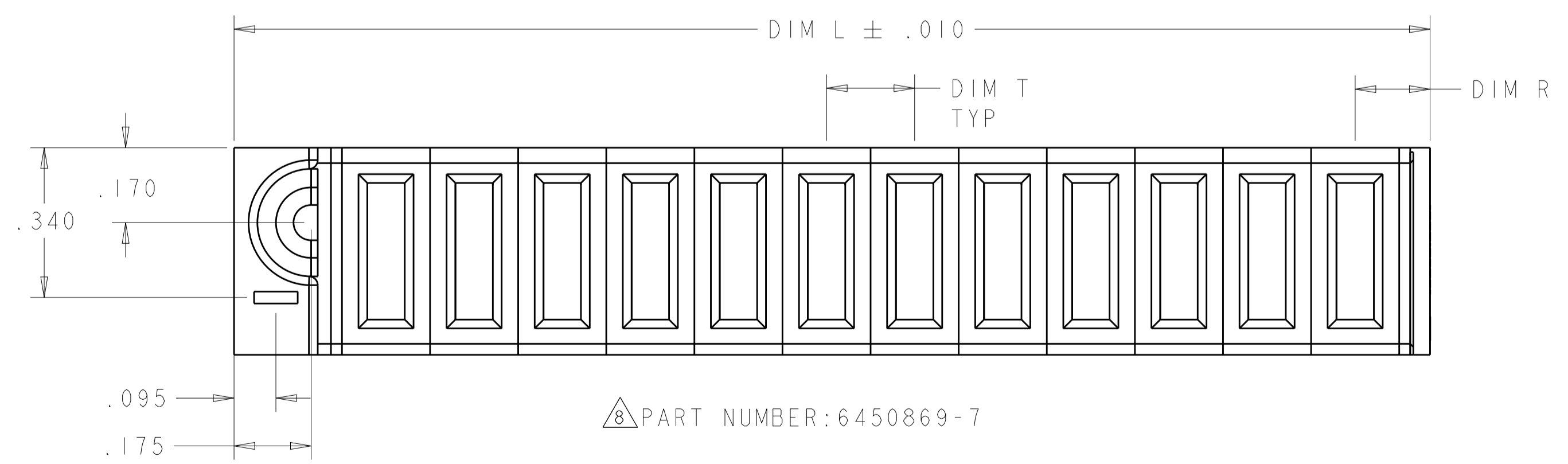
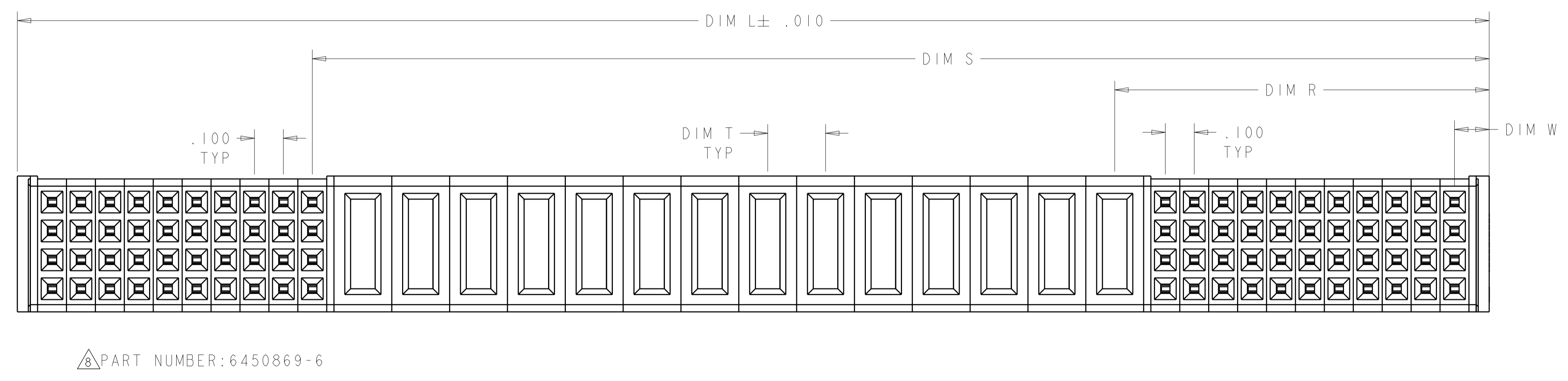
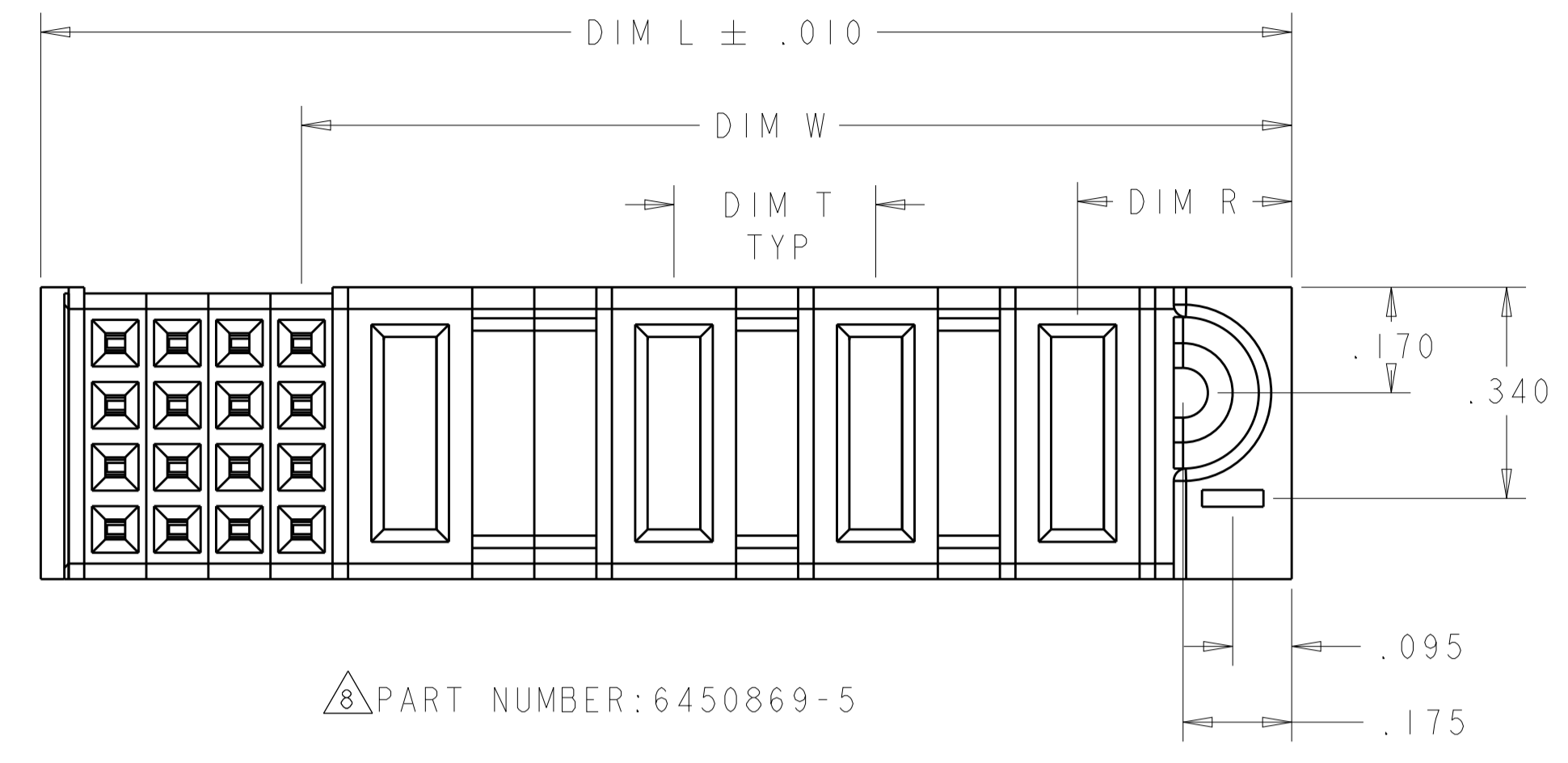
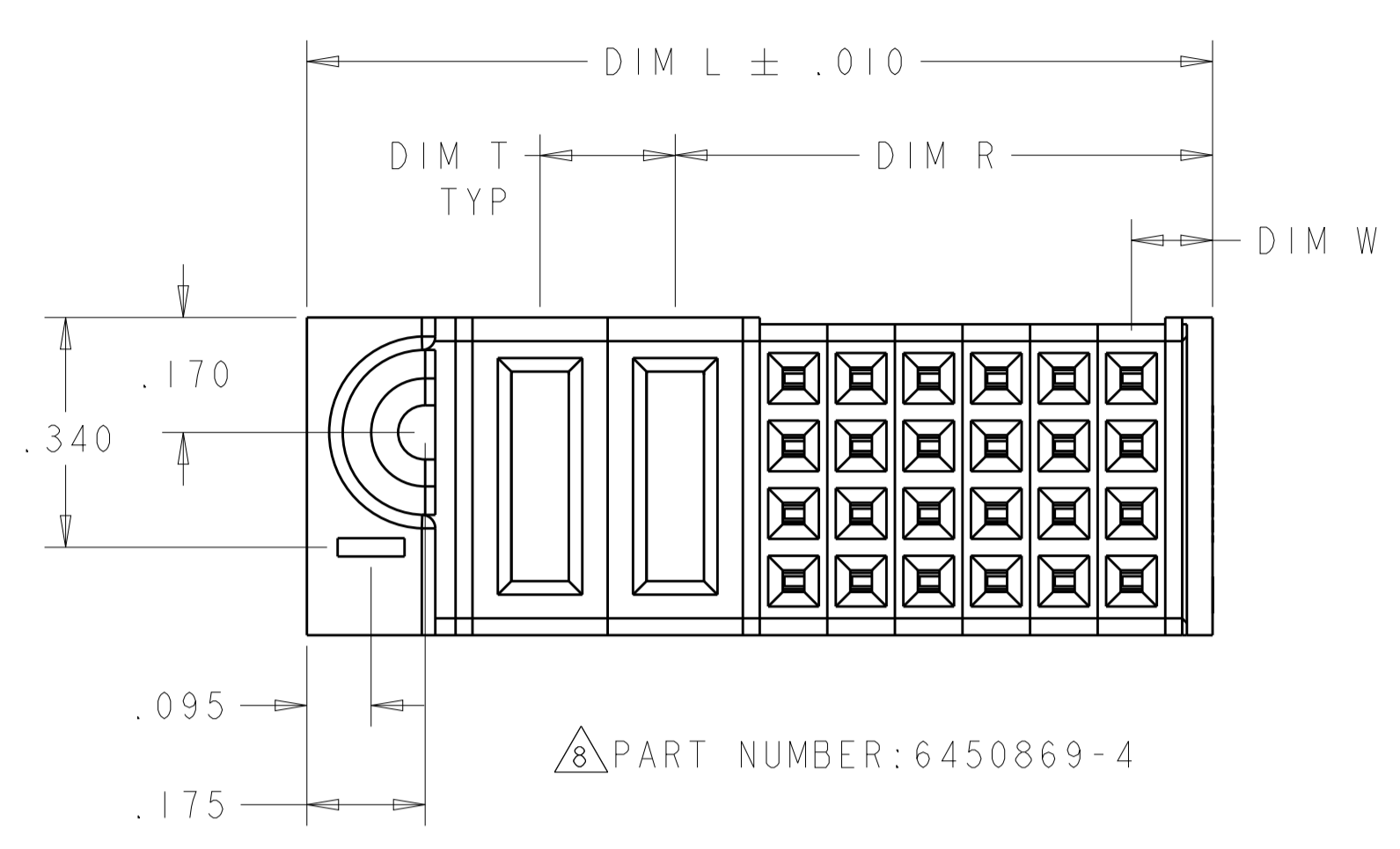
TE Connectivity

VERTICAL RECEPTACLE ASSEMBLY
 NO GUIDES
 MULTI-BEAM XLE

100779C=6450869

SCALE 4:1 SHEET 1 OF 10 REV E1

LOC		DIST		REVISIONS			
ES	00	P	LTN	DESCRIPTION	DATE	DWN	APVD
-	-	-	-	SEE SHEET 1	-	-	-

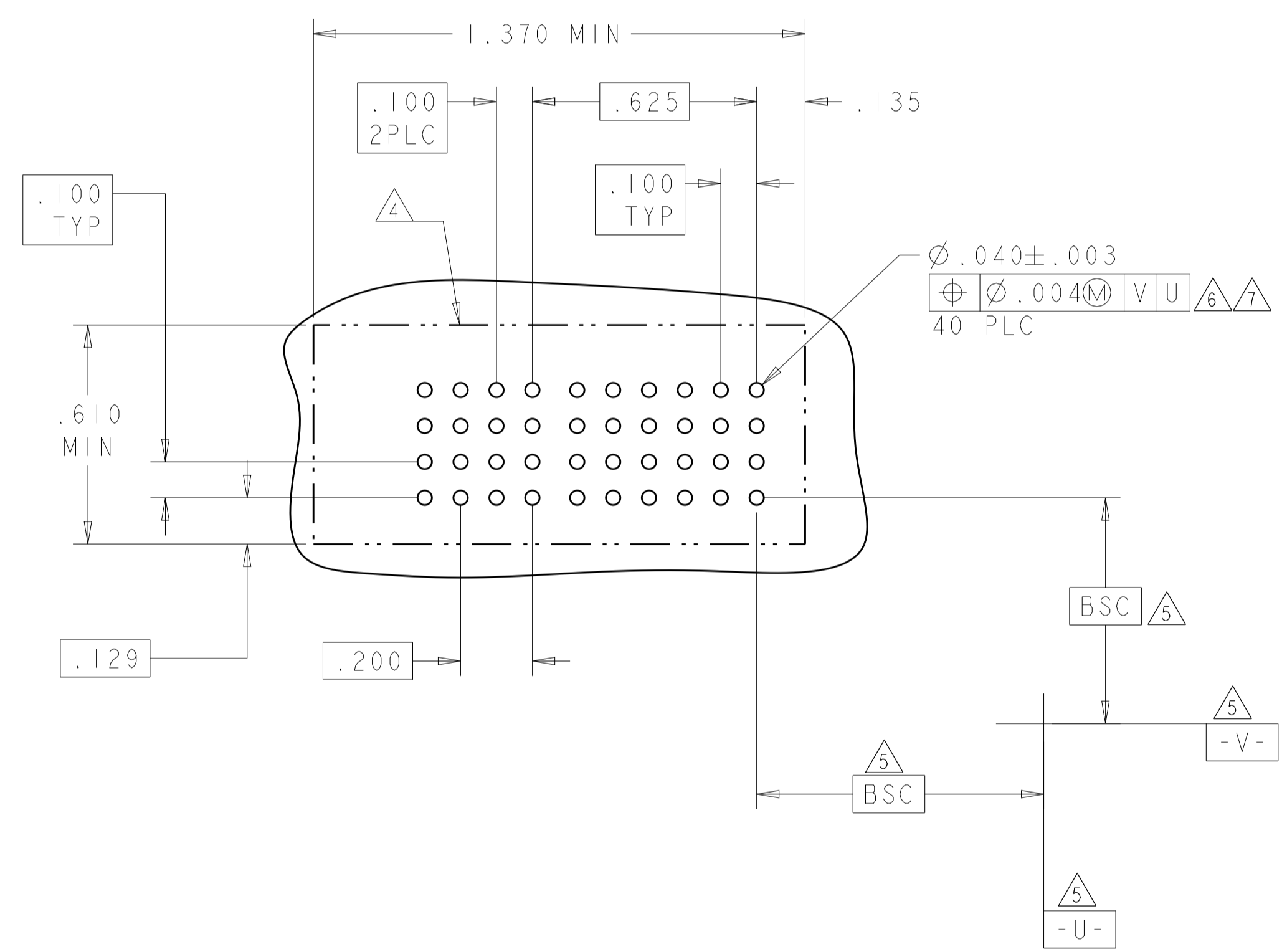
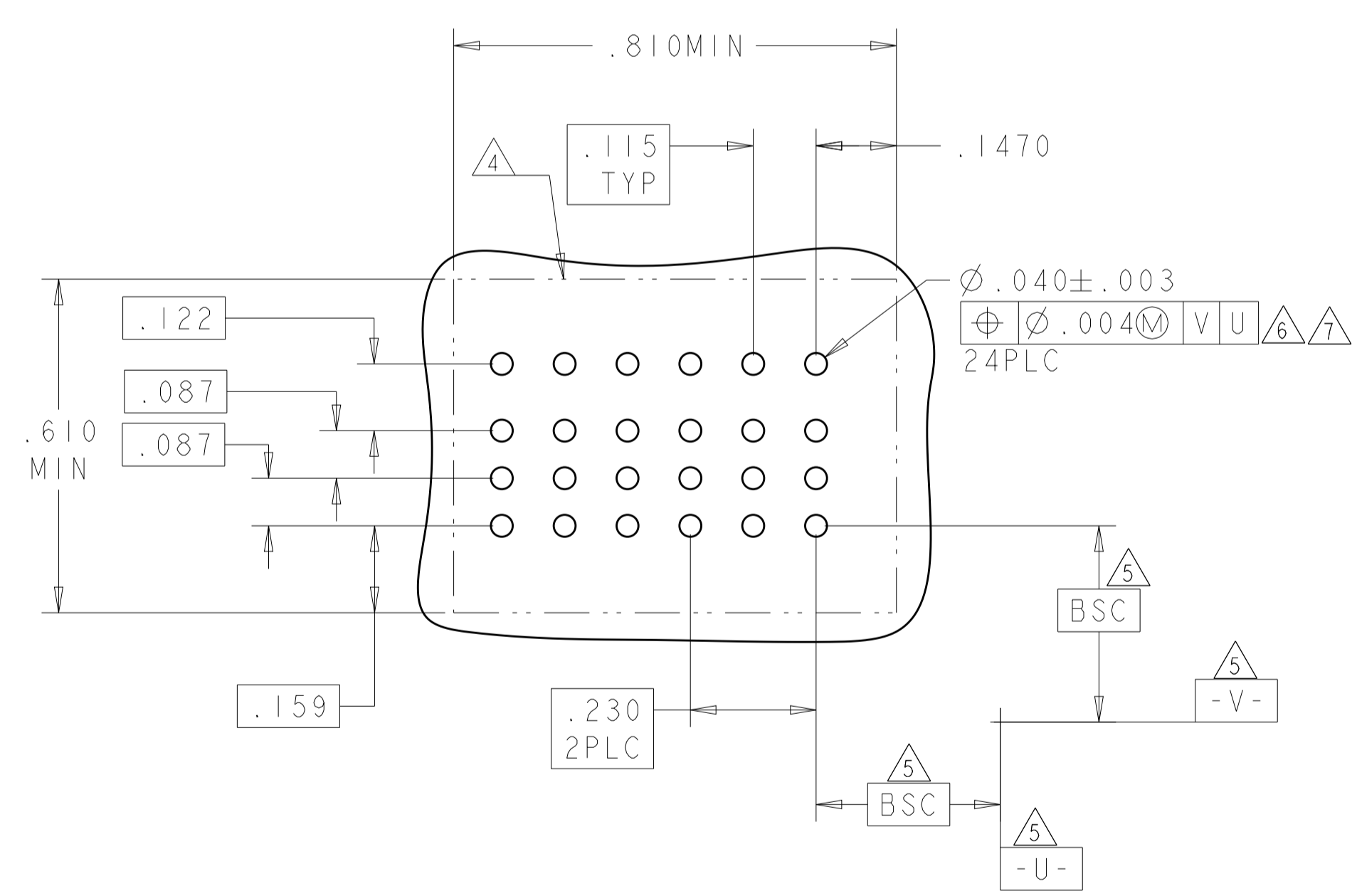


THIS DRAWING IS A CONTROLLED DOCUMENT.		DWN H. LIU 30APR2008	TE Connectivity
DIMENSIONS: INCHES		CHK S. ZHAO 30APR2008	
TOLERANCES UNLESS OTHERWISE SPECIFIED: 0 PLC ±. 1 PLC ±.01 2 PLC ±.01 3 PLC ±.005 4 PLC ±.0020 ANGLES ±.2° FINISH		APVD S. YAO	NAME VERTICAL RECEPTACLE ASSEMBLY NO GUIDES MULTI-BEAM XLE
MATERIAL		PRODUCT SPEC 108-2292	RESTRICTED TO
		APPLICATION SPEC 114-13038	SIZE A1
		WEIGHT	CAGE CODE 6450869
		CUSTOMER DRAWING	SCALE 4:1
			SHEET 2 OF 10
			REV E1

LOC	DIST	REV	DATE	BY	CHK	APP'D
ES	00					

PART NUMBER	POWER					
	LP6	LP5	LP4	LP3	LP2	LP1
6450869-1	LSI	LSI	LSI	LSI	LSI	LSI
6 LP						

PART NUMBER	ROWS	POWER		SIGNAL						
		P2	PI	6	5	4	3	2	1	
6450869-4	D	GP	GS	AP	AP	AP	AP	AP	AP	
	C			AP	AP	AP	AP	AP	AP	
	B			AP	AP	AP	AP	AP	AP	
	A			AP	AP	AP	AP	AP	AP	
24S + 2P										



P	.115 TAIL LENGTH, PRESS FIT, SIGNAL
AP	.135 TAIL LENGTH, PRESS FIT, SIGNAL
VP	MFBL .115 TAIL LENGTH, PRESS FIT, POWER
VS	STD .115 TAIL LENGTH, PRESS FIT, POWER
GP	MFBL .135 TAIL LENGTH, PRESS FIT, POWER
GS	STD .135 TAIL LENGTH, PRESS FIT, POWER
LSI	STD .135 TAIL LENGTH, PRESS FIT, POWER
CODE	PRESS FIT
POWER CONTACT	

THIS DRAWING IS A CONTROLLED DOCUMENT.

DIMENSIONS: INCHES	TOLERANCES UNLESS OTHERWISE SPECIFIED: 0 PLC ± 1 PLC ±.01 2 PLC ±.01 3 PLC ±.005 4 PLC ±.0020 ANGLES ±.2°	FINISH	FINISH
-----------------------	---	--------	--------

OWN: H. LIU 30APR2008	CHK: S. ZHAO 30APR2008	NAME: S. YAO	PRODUCT SPEC: 108-2292
APVD: S. YAO	APPLICATION SPEC: 114-13038	SIZE: A1	CAGE CODE: 6450869
CUSTOMER DRAWING		SCALE: 4:1	SHEET 3 OF 10

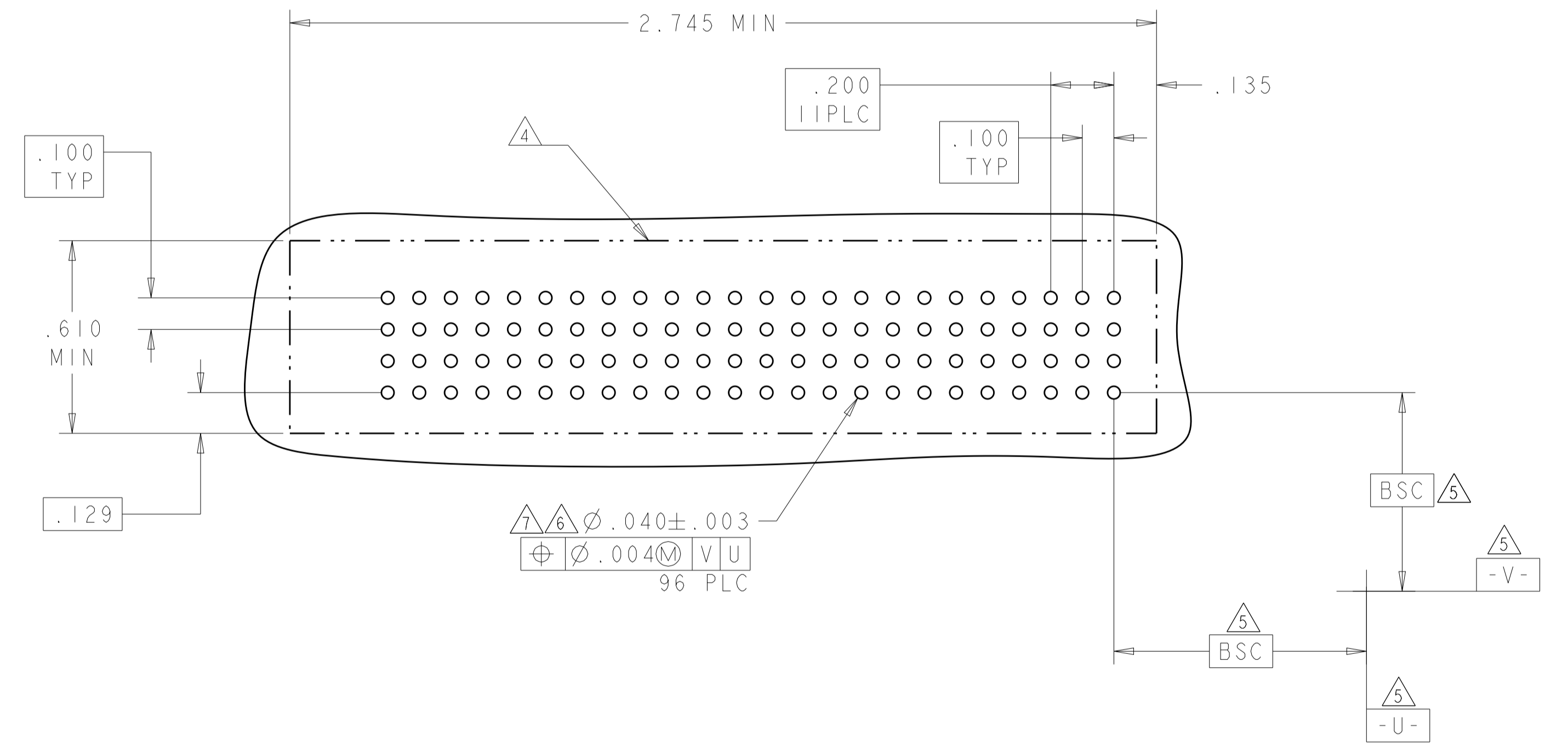
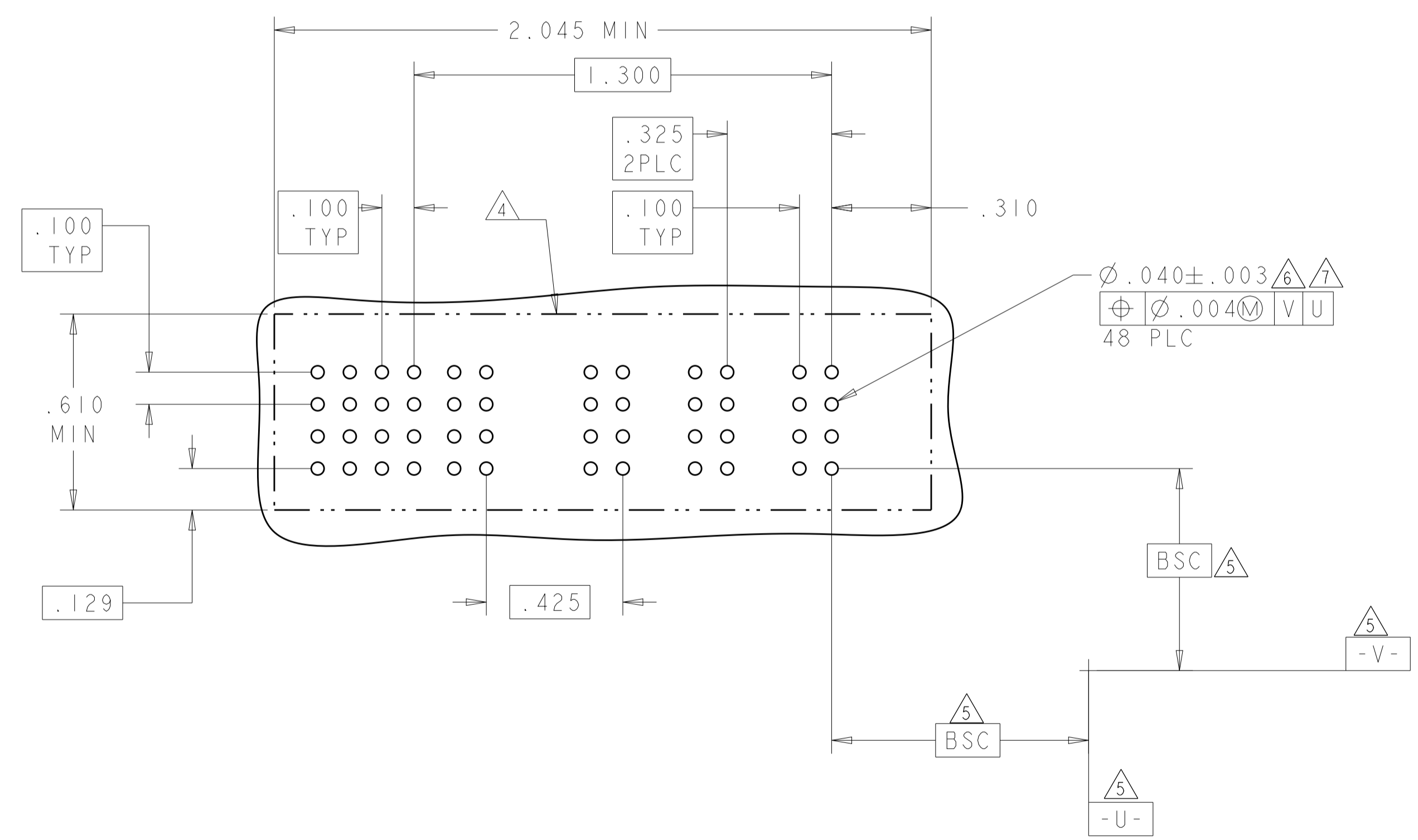
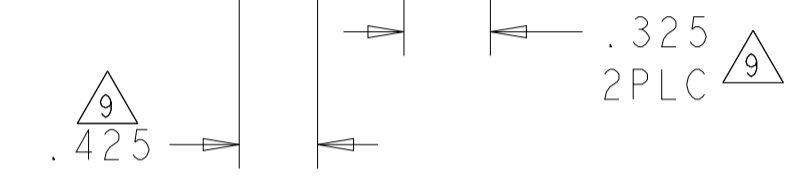
STE TE Connectivity

VERTICAL RECEPTACLE ASSEMBLY
NO GUIDES
MULTI-BEAM XLE

LOC	DIST	REVISIONS			
P	LTN	DESCRIPTION	DATE	DMN	APVD
ES	00	SEE SHEET 1	-	-	-

PART NUMBER	ROWS	SIGNAL				POWER			
		4	3	2	1	P4	P3	P2	P1
6450869-5	D	AP	AP	AP	AP	GP	GS	GS	GS
	C	AP	AP	AP	AP				
	B	AP	AP	AP	AP				
	A	AP	AP	AP	AP				
4P + 16S									

PART NUMBER	POWER											
	P12	P11	P10	P9	P8	P7	P6	P5	P4	P3	P2	P1
6450869-7	GS	GS	GP	GS	GS	GS	GS	GS	GP	GS	GS	GS
12P												



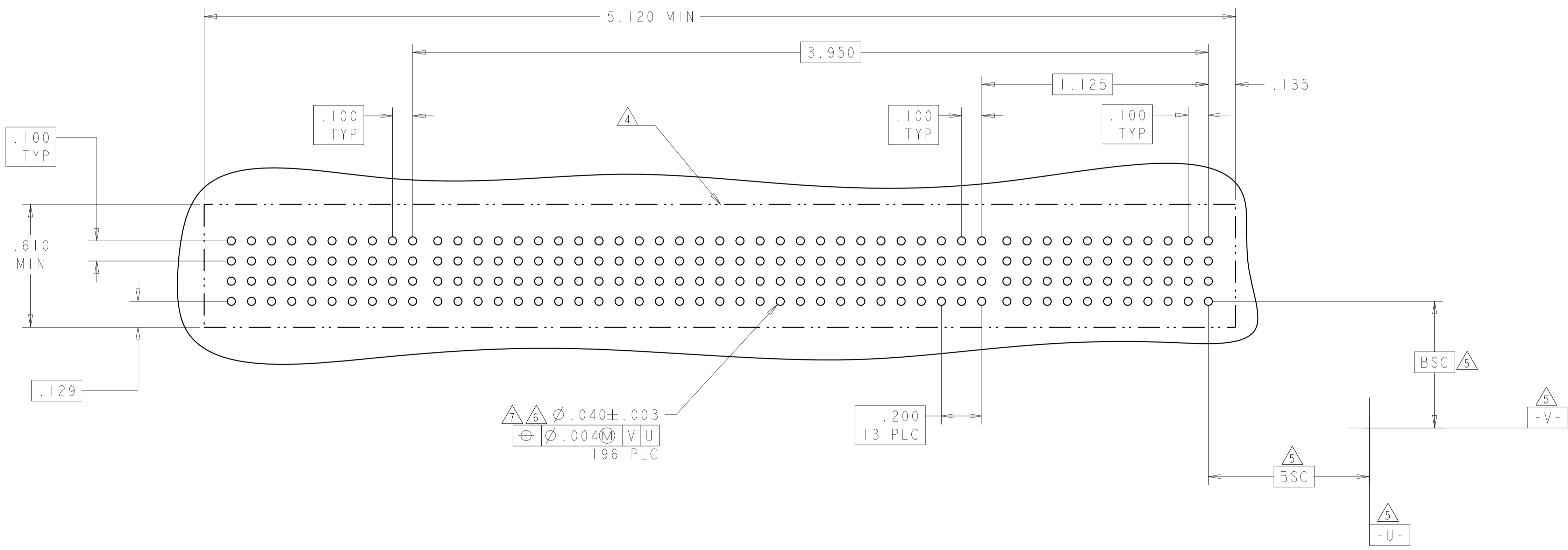
THIS DRAWING IS A CONTROLLED DOCUMENT.


DIMENSIONS: INCHES	TOLERANCES UNLESS OTHERWISE SPECIFIED: 0 PLC ±. 1 PLC ±. 2 PLC ±.01 3 PLC ±.005 4 PLC ±.0020 ANGLES ±.7°	FINISH	DMN: H.LIU 30APR2008 CHK: S.ZHAO 30APR2008 APVD: S.YAO	NAME: VERTICAL RECEPTACLE ASSEMBLY NO GUIDES MULTI-BEAM XLE
MATERIAL	FINISH	WEIGHT	PRODUCT SPEC: 108-2292 APPLICATION SPEC: 114-13038 CAGE CODE: A100779 DRAWING NO: 6450869	RESTRICTED TO: -
CUSTOMER DRAWING			SCALE: 4:1	SHEET 4 OF 10

STE TE Connectivity

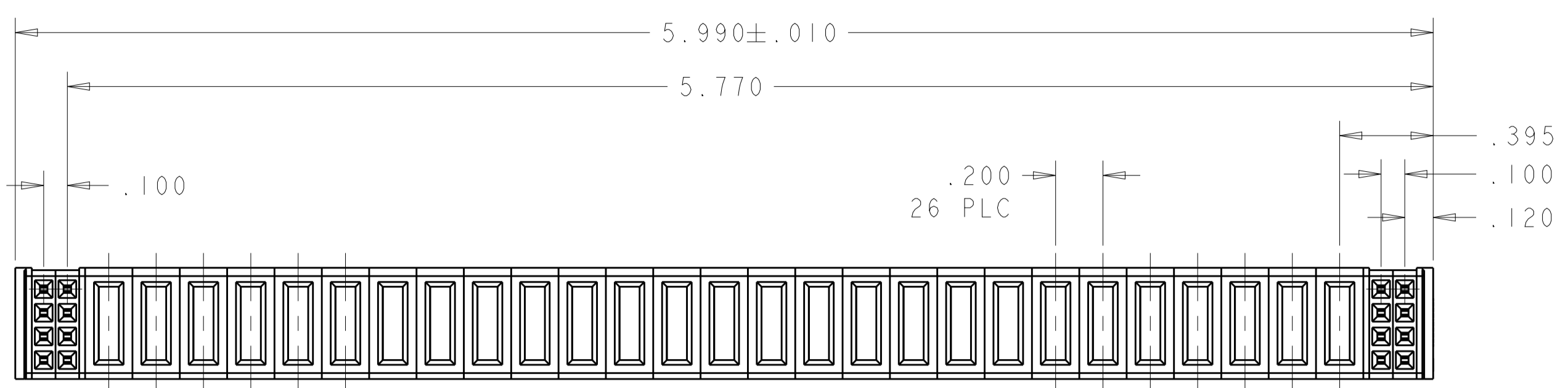
LOC	DIST	REVISIONS			
P	LTN	DESCRIPTION	DATE	DMN	APVD
ES	00	- SEE SHEET 1	-	-	-

PART NUMBER	ROWS	SIGNAL										POWER										SIGNAL																															
		21	20	19	18	17	16	15	14	13	12	PI4	PI3	PI2	PI1	PI0	P9	P8	P7	P6	P5	P4	P3	P2	P1	11	10	9	8	7	6	5	4	3	2	1																	
6450869-6	D	AP	AP	AP	AP	AP	AP	AP	AP	AP	AP	AP	AP	AP	AP	AP	AP	AP	AP	AP	AP	AP	AP	AP	AP	AP	AP	AP	AP	AP	AP	AP	AP	AP	AP	AP	AP	AP	AP	AP	AP	AP	AP	AP	AP	AP							
	C	AP	AP	AP	AP	AP	AP	AP	AP	AP	AP	AP	AP	AP	AP	AP	AP	AP	AP	AP	AP	AP	AP	AP	AP	AP	AP	AP	AP	AP	AP	AP	AP	AP	AP	AP	AP	AP	AP	AP	AP	AP	AP	AP	AP	AP	AP	AP	AP	AP	AP	AP	
	B	AP	AP	AP	AP	AP	AP	AP	AP	AP	AP	AP	AP	AP	AP	AP	AP	AP	AP	AP	AP	AP	AP	AP	AP	AP	AP	AP	AP	AP	AP	AP	AP	AP	AP	AP	AP	AP	AP	AP	AP	AP	AP	AP	AP	AP	AP	AP	AP	AP	AP	AP	AP
	A	AP	AP	AP	AP	AP	AP	AP	AP	AP	AP	AP	AP	AP	AP	AP	AP	AP	AP	AP	AP	AP	AP	AP	AP	AP	AP	AP	AP	AP	AP	AP	AP	AP	AP	AP	AP	AP	AP	AP	AP	AP	AP	AP	AP	AP	AP	AP	AP	AP	AP	AP	AP
44S + 14P + 40S																																																					



THIS DRAWING IS A CONTROLLED DOCUMENT.		DMN H. LIU	30APR2008		TE Connectivity
DIMENSIONS: INCHES		CHK S. ZHAO	30APR2008		NAME VERTICAL RECEPTACLE ASSEMBLY NO GUIDES MULTI-BEAM XLE
TOLERANCES UNLESS OTHERWISE SPECIFIED:		APVD S. YAO	-	PRODUCT SPEC 108-2292	
0 PLC ± .01		APPLICATION SPEC		SIZE 114-13038	
1 PLC ± .01		WEIGHT		RESTRICTED TO	
2 PLC ± .01		MATERIAL		A100779C=6450869	
3 PLC ± .005		FINISH		SCALE 4:1 SHEET 5 OF 10 REV E1	
4 PLC ± .0020		CUSTOMER DRAWING		REV	
ANGLES ± 7°					

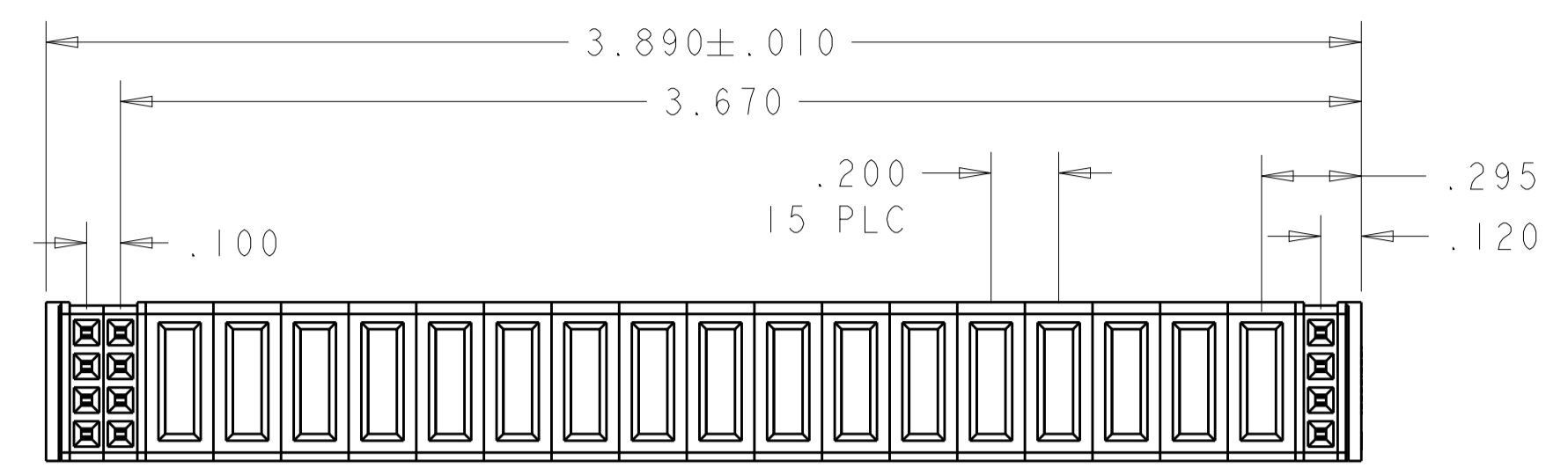
LOC	DIST	REVISIONS			
P	LTN	DESCRIPTION	DATE	OWN	APVD
ES	00	SEE SHEET 1	-	-	-



PART NUMBER: 6450869-2

PART NUMBER	ROWS	SIGNAL		POWER																SIGNAL											
		4	3	P27	P26	P25	P24	P23	P22	P21	P20	P19	P18	P17	P16	P15	P14	P13	P12	P11	P10	P9	P8	P7	P6	P5	P4	P3	P2	P1	2
6450869-2	D	P	P	VS	VS	VS	VS	VS	VS	VS	VS	VS	VS	VS	VS	VS	VS	VS	VS	VS	VS	VS	VS	VS	VS	VS	VS	VS	VS	P	P
	C	P	P																											P	P
	B	P	P																											P	P
	A	P	P																											P	P

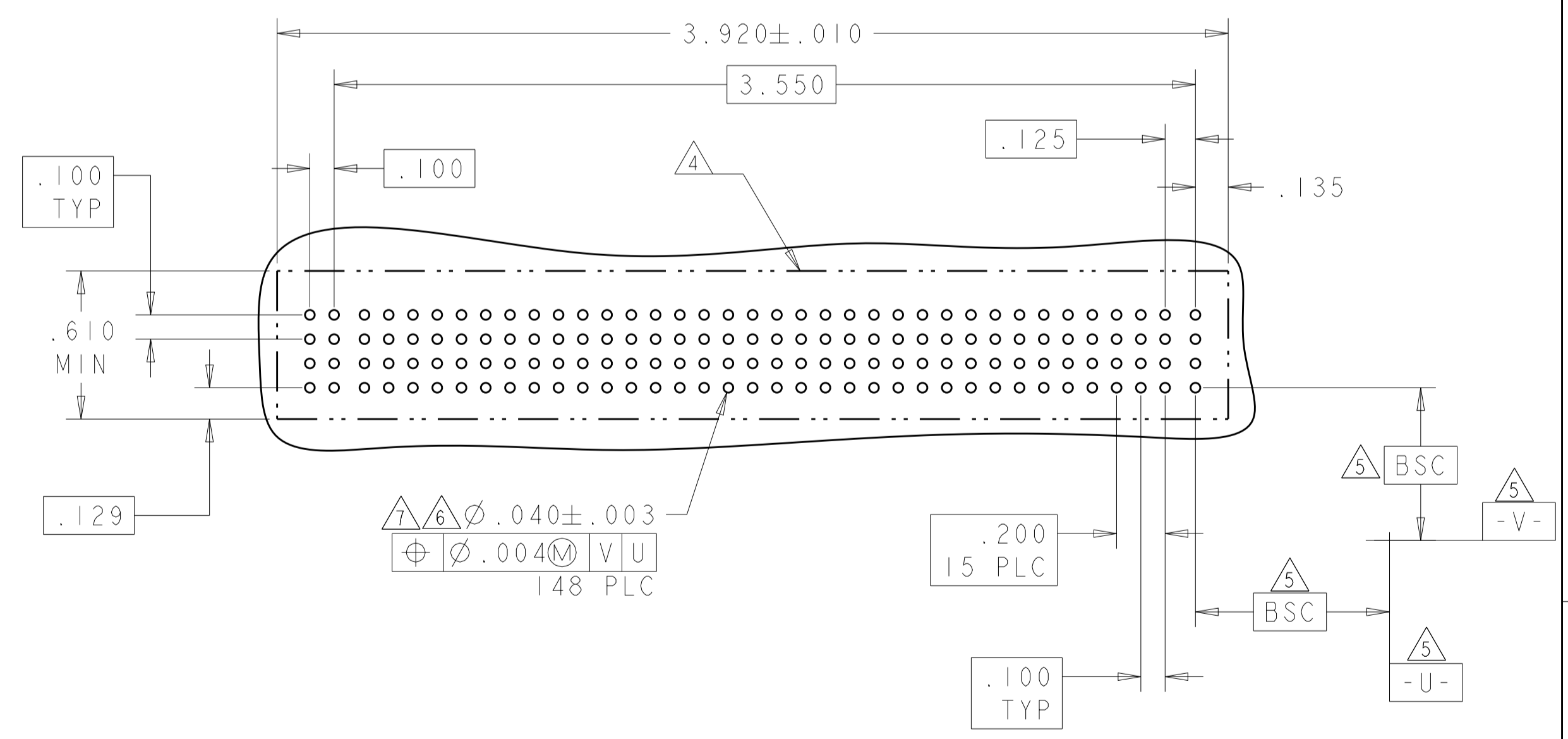
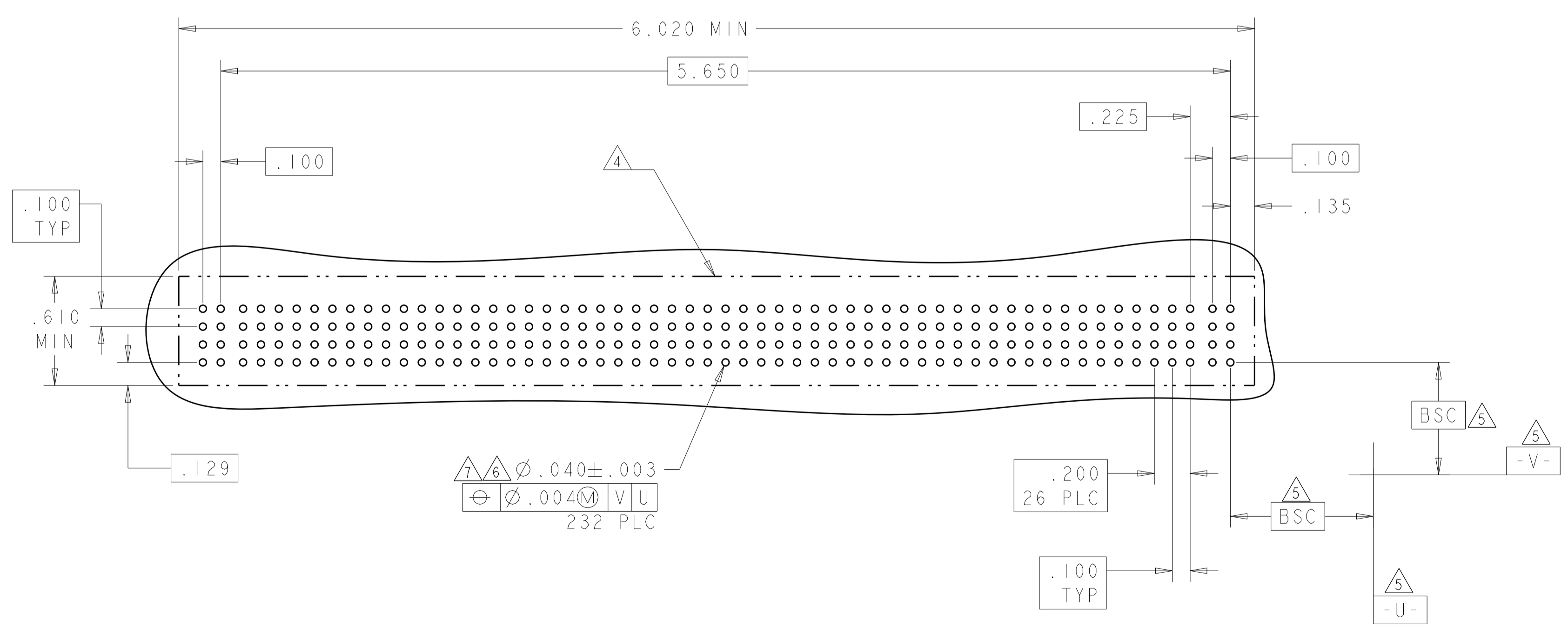
8S + 27P + 8S



PART NUMBER: 6450869-3

PART NUMBER	ROWS	SIGNAL		POWER																S											
		3	2	P17	P16	P15	P14	P13	P12	P11	P10	P9	P8	P7	P6	P5	P4	P3	P2	P1	I										
6450869-3	D	P	P	VS	VS	VS	VS	VS	VS	VS	VS	VS	VS	VS	VS	VS	VS	VS	VS	VS	VS	VS	VS	VS	VS	VS	VS	VS	VS	P	P
	C	P	P																											P	P
	B	P	P																											P	P
	A	P	P																											P	P

4S + 17HDP + 8S



THIS DRAWING IS A CONTROLLED DOCUMENT. DWG: H.LIU 30APR2008
 CHK: S.ZHAO 30APR2008
 APVD: S.YAO

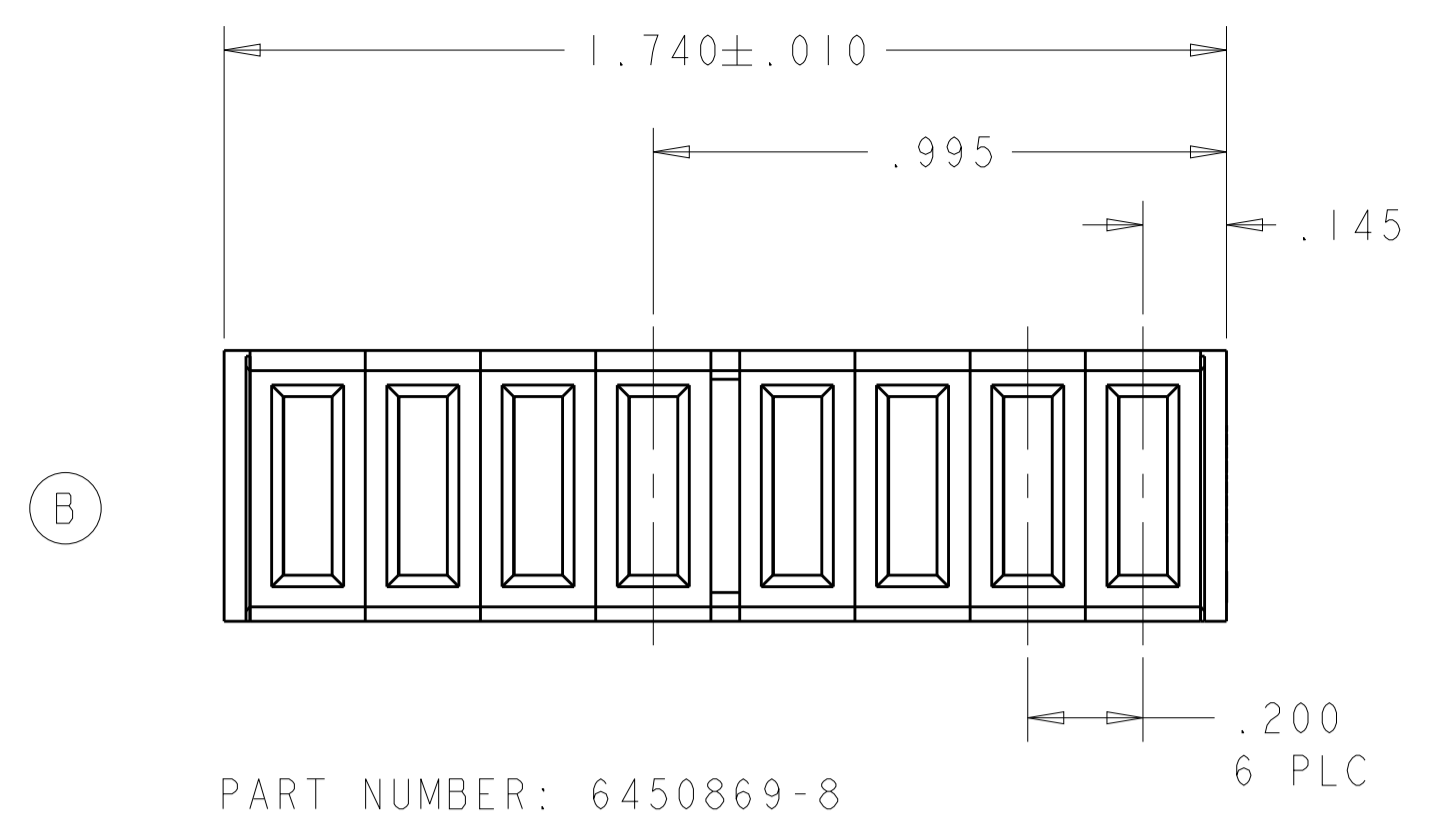
TE Connectivity

NAME: VERTICAL RECEPTACLE ASSEMBLY
 PRODUCT SPEC: NO GUIDES
 APPLICATION SPEC: MULTI-BEAM XLE

SIZE: 108-2292
 CAGE CODE: 114-13038
 DRAWING NO: A100779
 CUSTOMER DRAWING: C=6450869

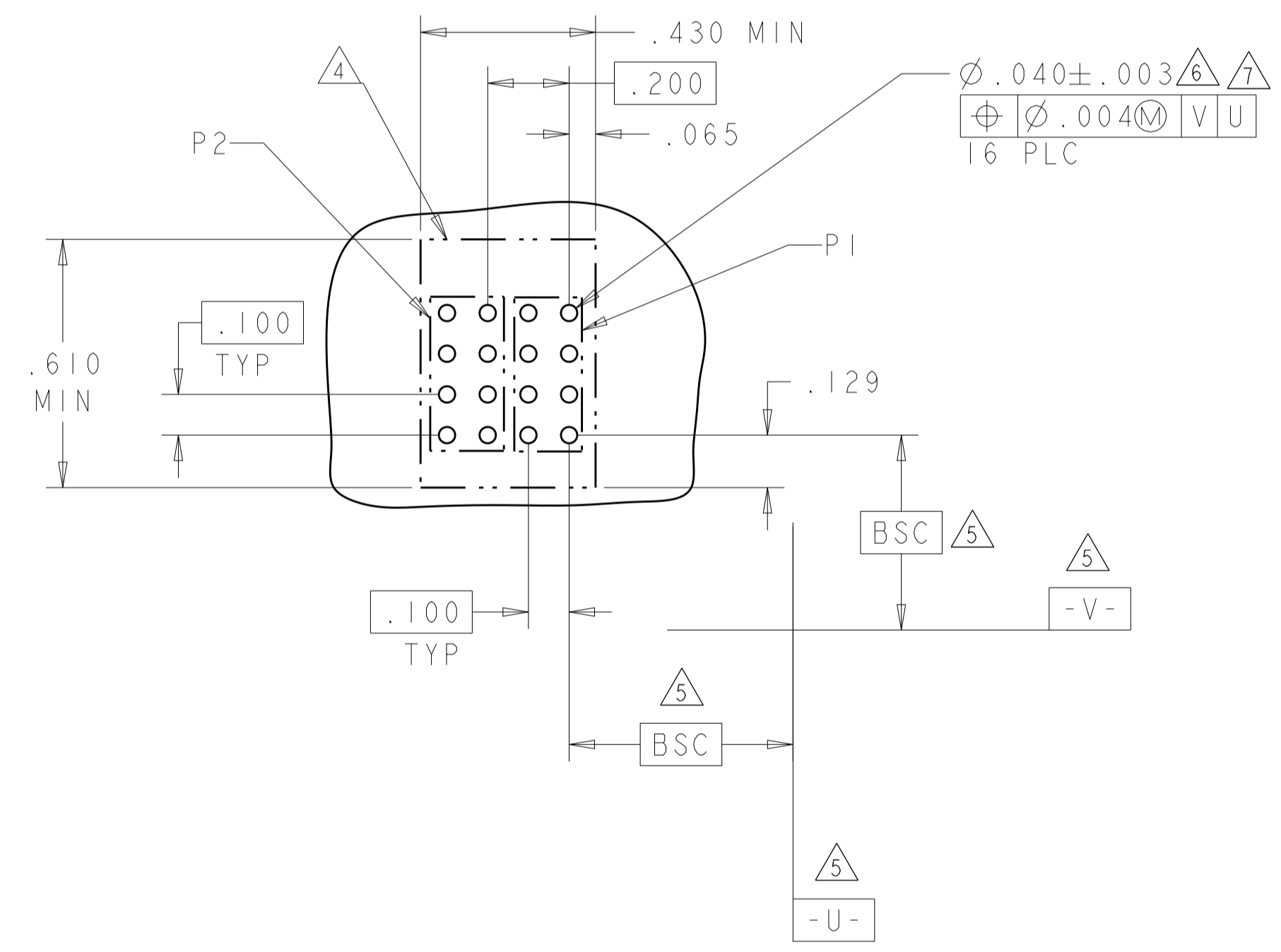
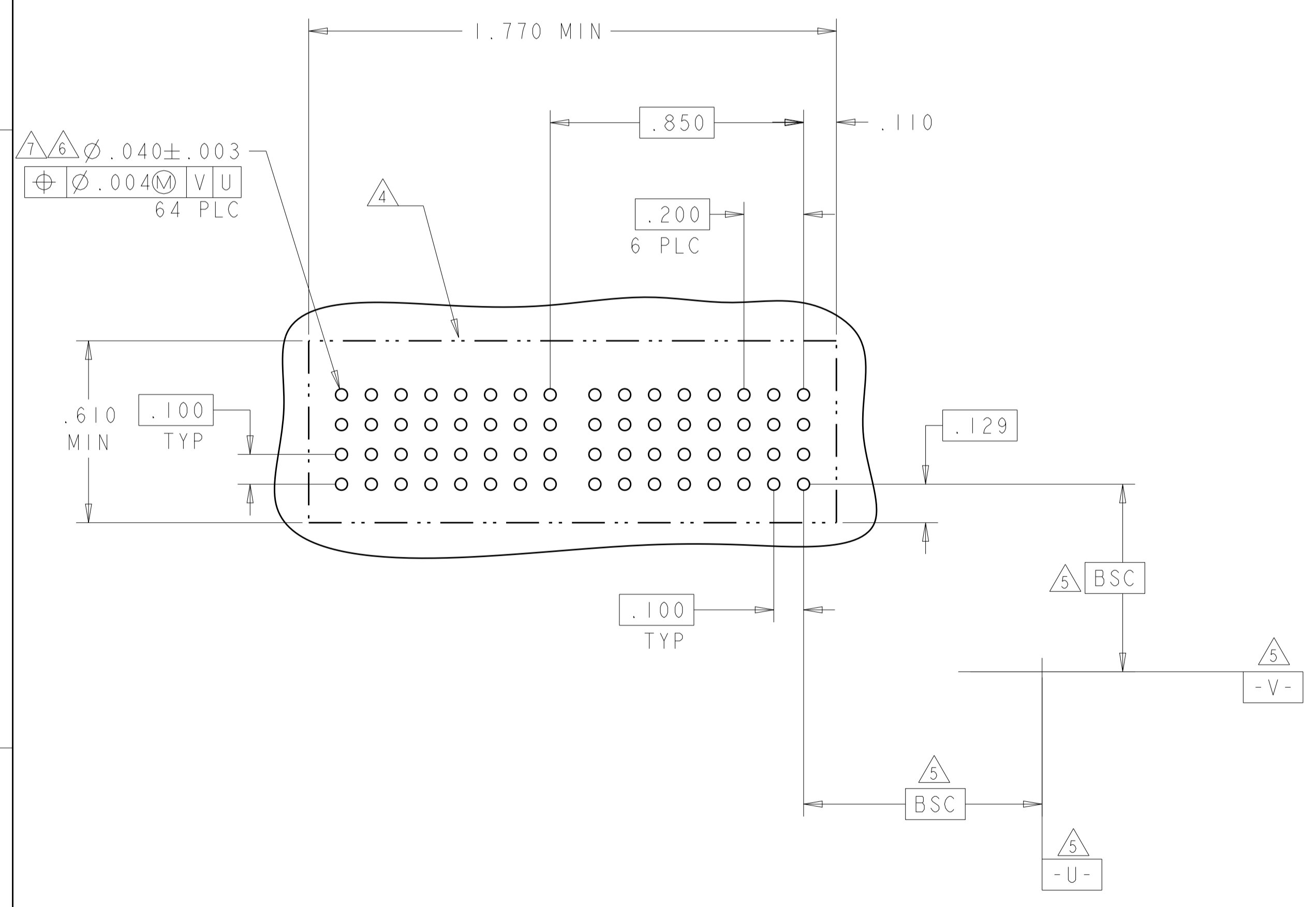
SCALE: 4:1 SHEET: 6 OF 10 REV: E1

LOC	DIST	REVISIONS			
P	LTN	DESCRIPTION	DATE	DWN	APVD
-	-	SEE SHEET 1	-	-	-



PART NUMBER	POWER	
	P2	P1
1-6450869-3	GP	GS
2P		

PART NUMBER	ROWS	POWER							
		P8	P7	P6	P5	P4	P3	P2	P1
6450869-8	D								
	C	GS	GS	GS	GS	GS	GS	GS	GS
	B								
	A								
8P									

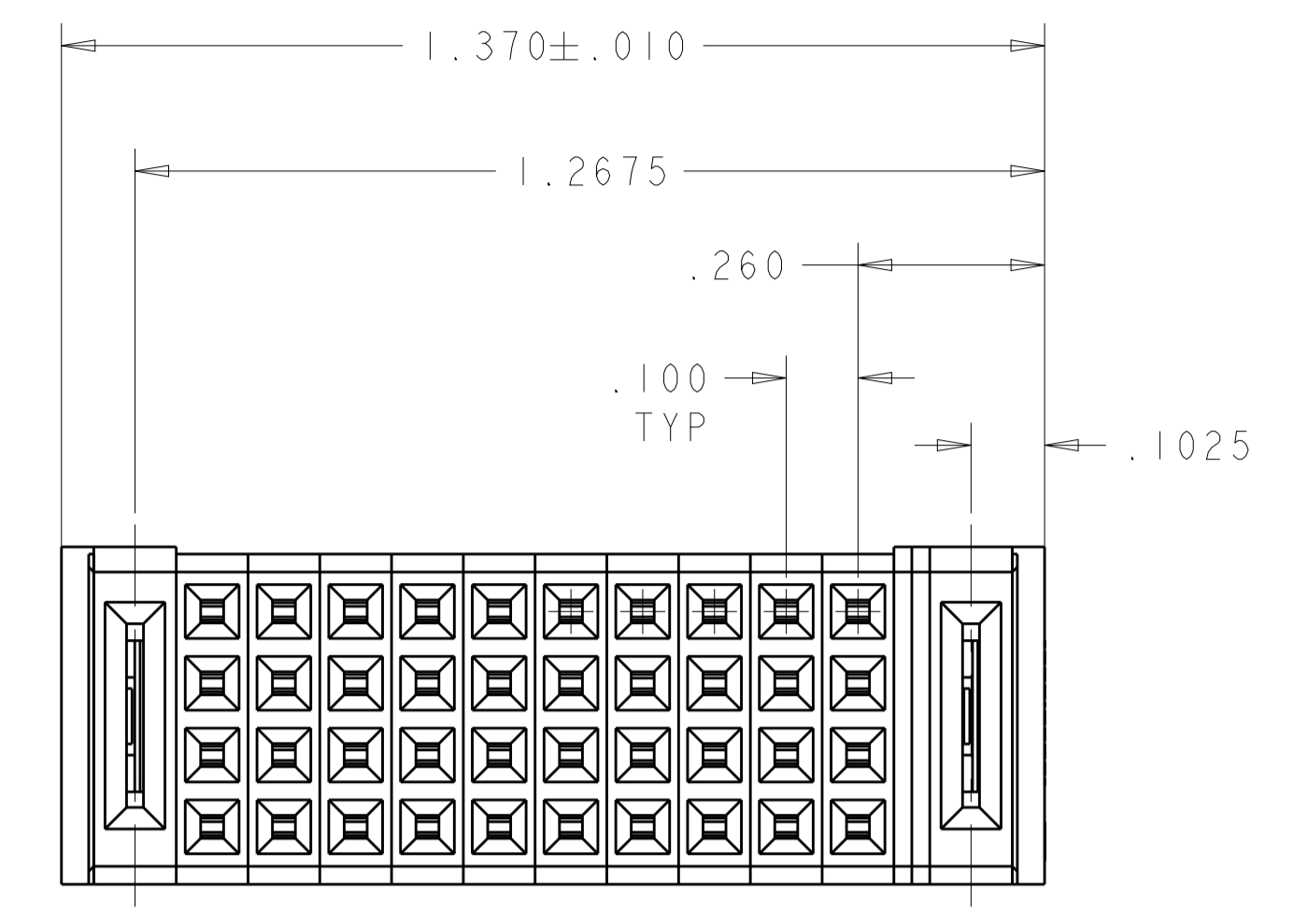
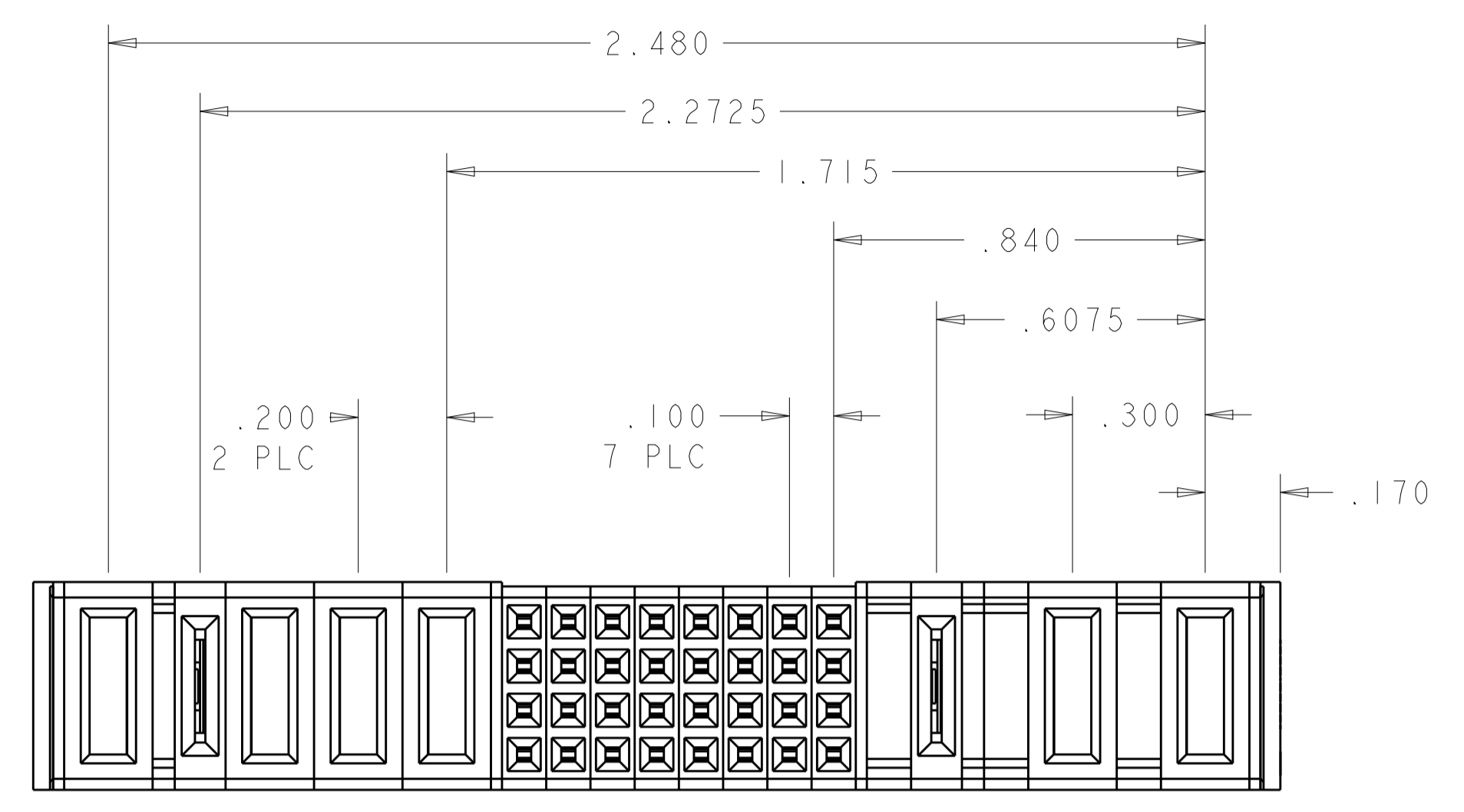


THIS DRAWING IS A CONTROLLED DOCUMENT. DWN: H.LIU 30APR2008, CHK: S.ZHAO 30APR2008, APVD: S.YAO

DIMENSIONS: INCHES	TOLERANCES UNLESS OTHERWISE SPECIFIED:	PRODUCT SPEC	NAME
0 PLC ±.01	1 PLC ±.01	108-2292	VERTICAL RECEPTACLE ASSEMBLY
2 PLC ±.01	3 PLC ±.005	APPLICATION SPEC	NO GUIDES
4 PLC ±.0020	ANGLES ±.2°	114-13038	MULTI-BEAM XLE
MATERIAL	FINISH	WEIGHT	RESTRICTED TO
-	-	-	A100779C=6450869
CUSTOMER DRAWING		SCALE 4:1	SHEET 7 OF 10

4805 (3/11)

LOC	DIST	REVISIONS			
P	LTN	DESCRIPTION	DATE	DMN	APVD
-	-	SEE SHEET 1	-	-	-

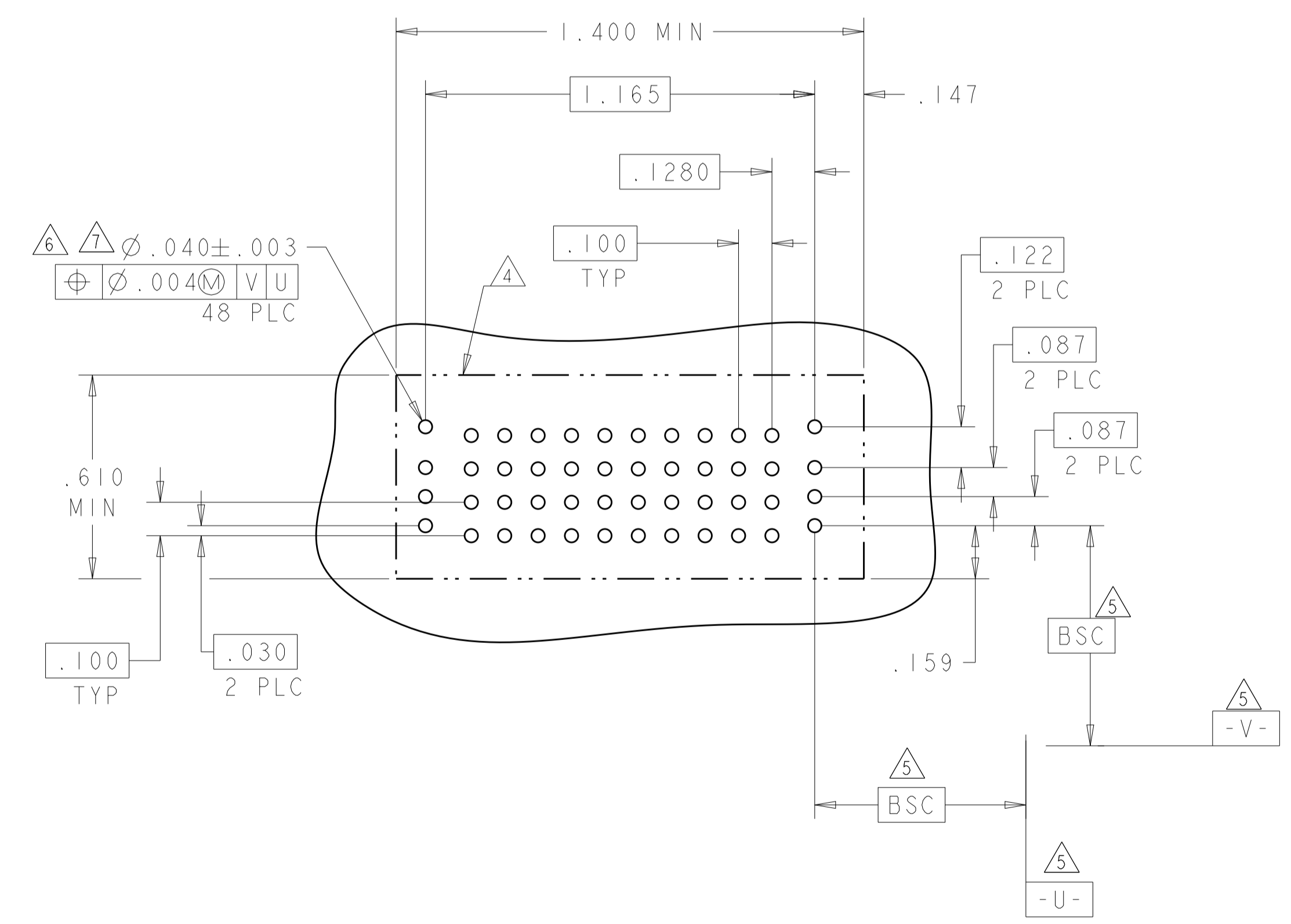
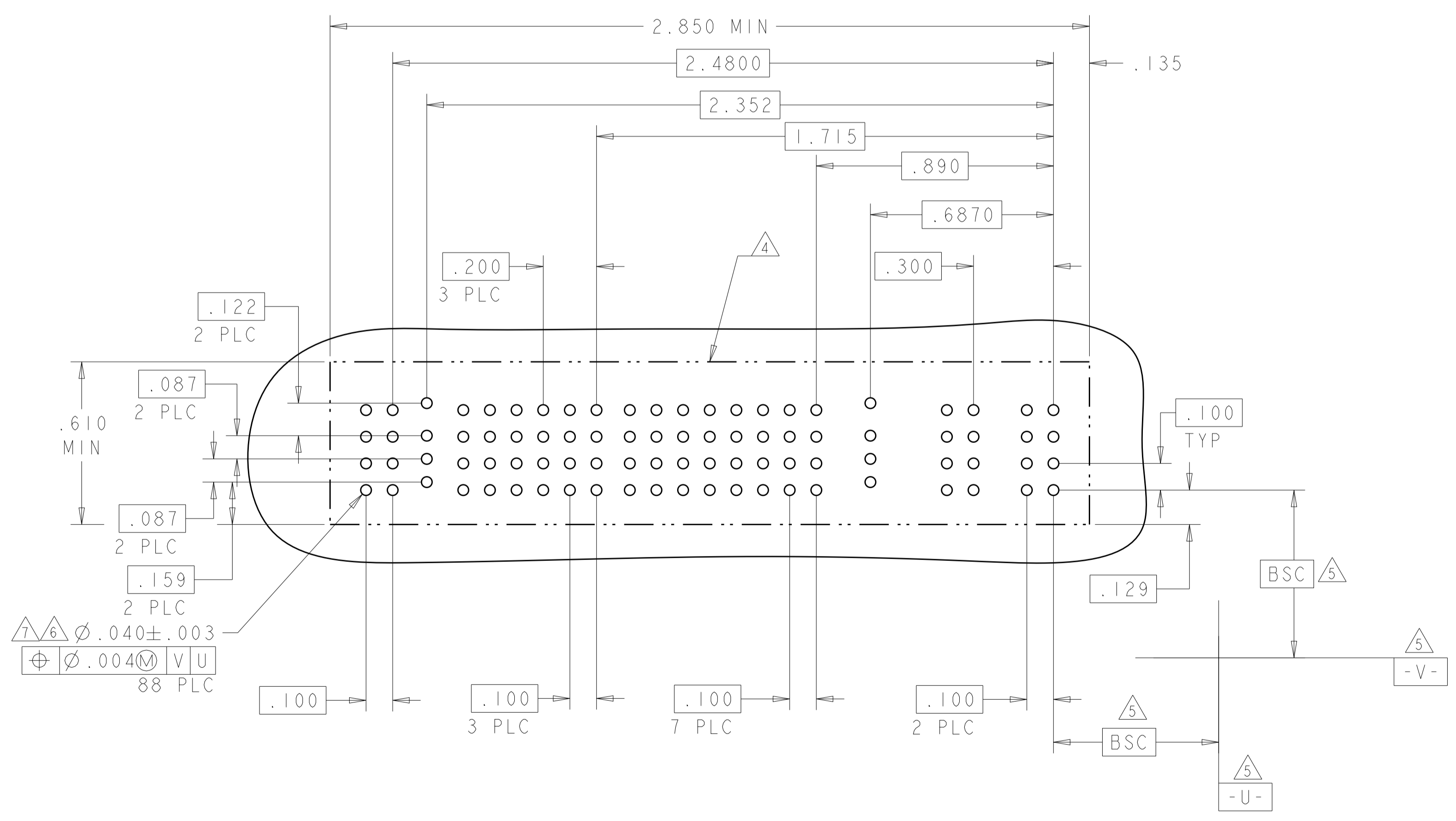


PART NUMBER	ROWS	POWER					SIGNAL											POWER		
		P6	LP2	P5	P4	P3	8	7	6	5	4	3	2	1	LPI	P2	P1			
I-6450869-4	D						AP	AP	AP	AP	AP	AP	AP	AP	AP	AP	AP	LSI	GS	GS
	C	GS	LSI	GS	GS	GS	AP	AP	AP	AP	AP	AP	AP	AP	AP	AP	AP	LSI	GS	GS
	B						AP	AP	AP	AP	AP	AP	AP	AP	AP	AP	AP	LSI	GS	GS
	A						AP	AP	AP	AP	AP	AP	AP	AP	AP	AP	AP	LSI	GS	GS

2ACP + 1LP + 32S + 3HDP + 1LP + 1P

PART NUMBER	ROWS	LOW POWER		SIGNAL											LOW POWER			
		LP2	10	9	8	7	6	5	4	3	2	1	LPI					
I-6450869-5	D		AP	AP	AP	AP	AP	AP	AP	AP	AP	AP	AP	AP	AP	AP	AP	LSI
	C		AP	AP	AP	AP	AP	AP	AP	AP	AP	AP	AP	AP	AP	AP	AP	LSI
	B		AP	AP	AP	AP	AP	AP	AP	AP	AP	AP	AP	AP	AP	AP	AP	LSI
	A		AP	AP	AP	AP	AP	AP	AP	AP	AP	AP	AP	AP	AP	AP	AP	LSI

1LP + 40S + 1LP



THIS DRAWING IS A CONTROLLED DOCUMENT. DWN: H.LIU 30APR2008
 CHK: S.ZHAO 30APR2008

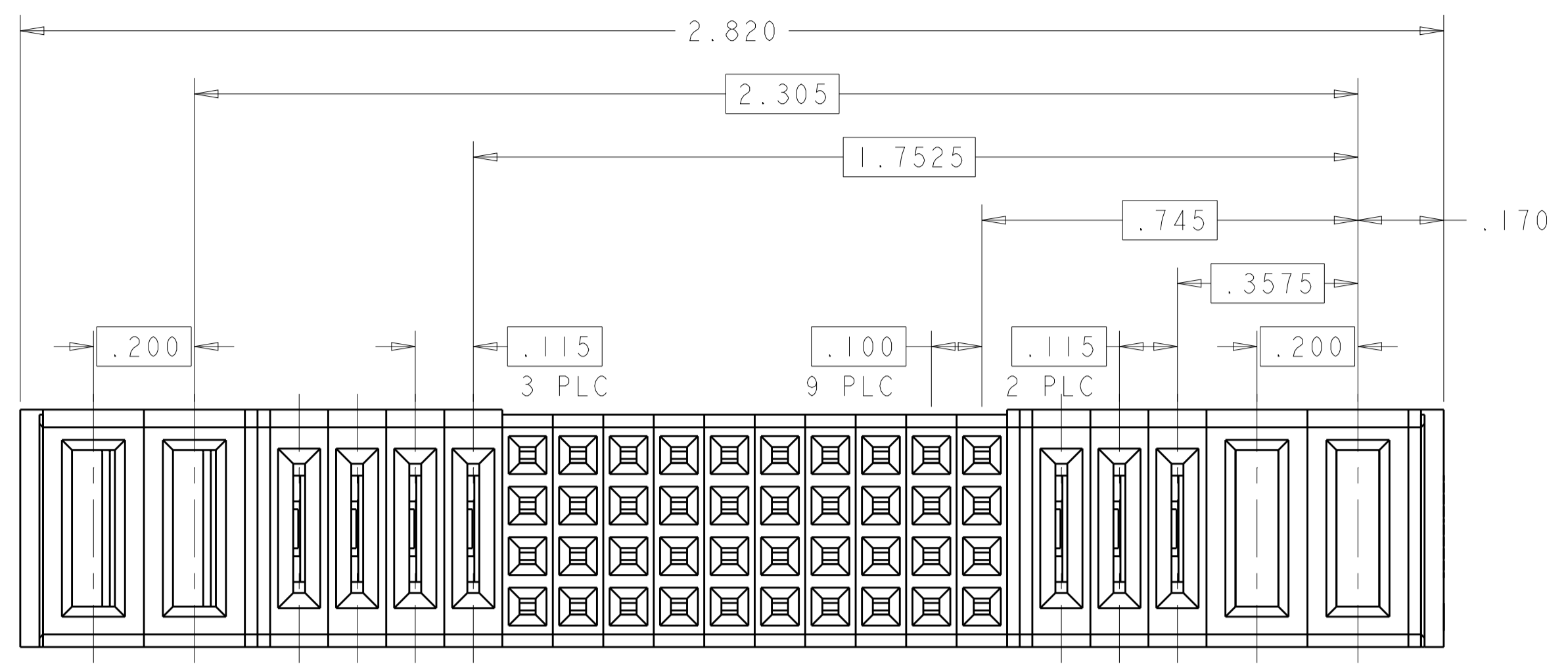
TE Connectivity

VERTICAL RECEPTACLE ASSEMBLY
 NO GUIDES
 MULTI-BEAM XLE

100779C-6450869

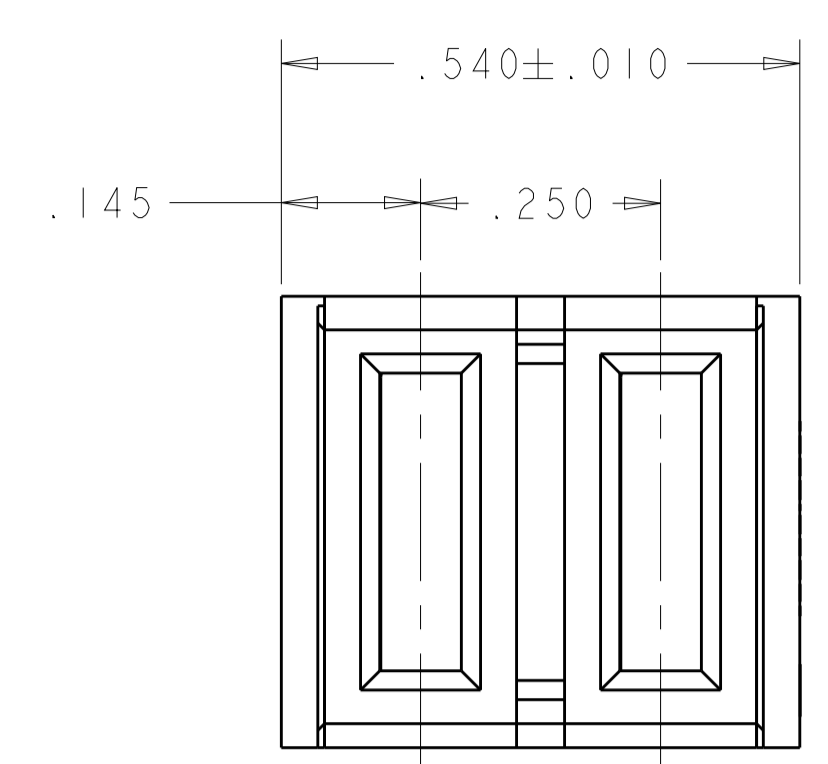
SCALE: 4:1 SHEET 8 OF 10

LOC		DIST		REVISIONS			
ES	00	P	LTN	DESCRIPTION	DATE	DWN	APVD
				SEE SHEET 1			

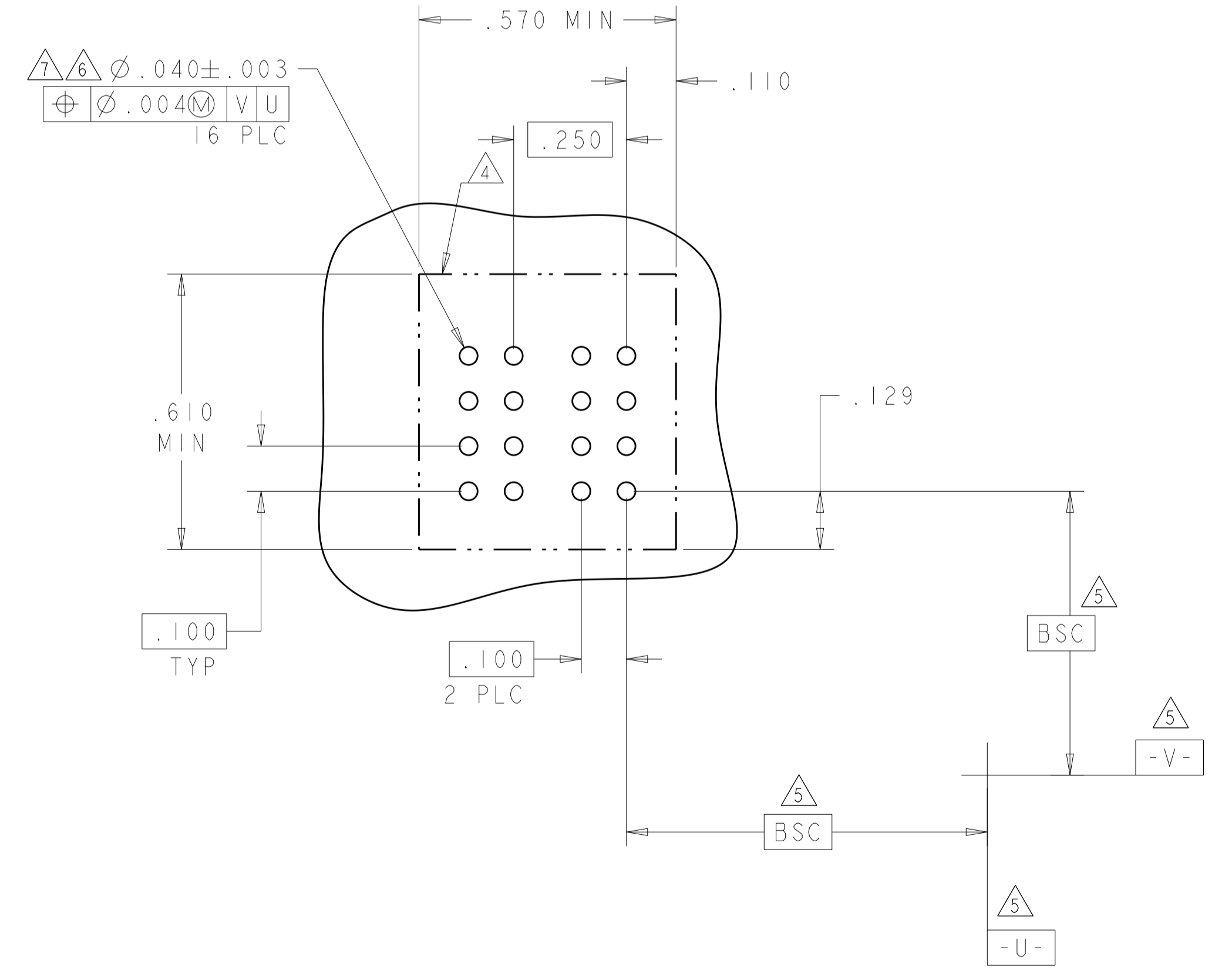
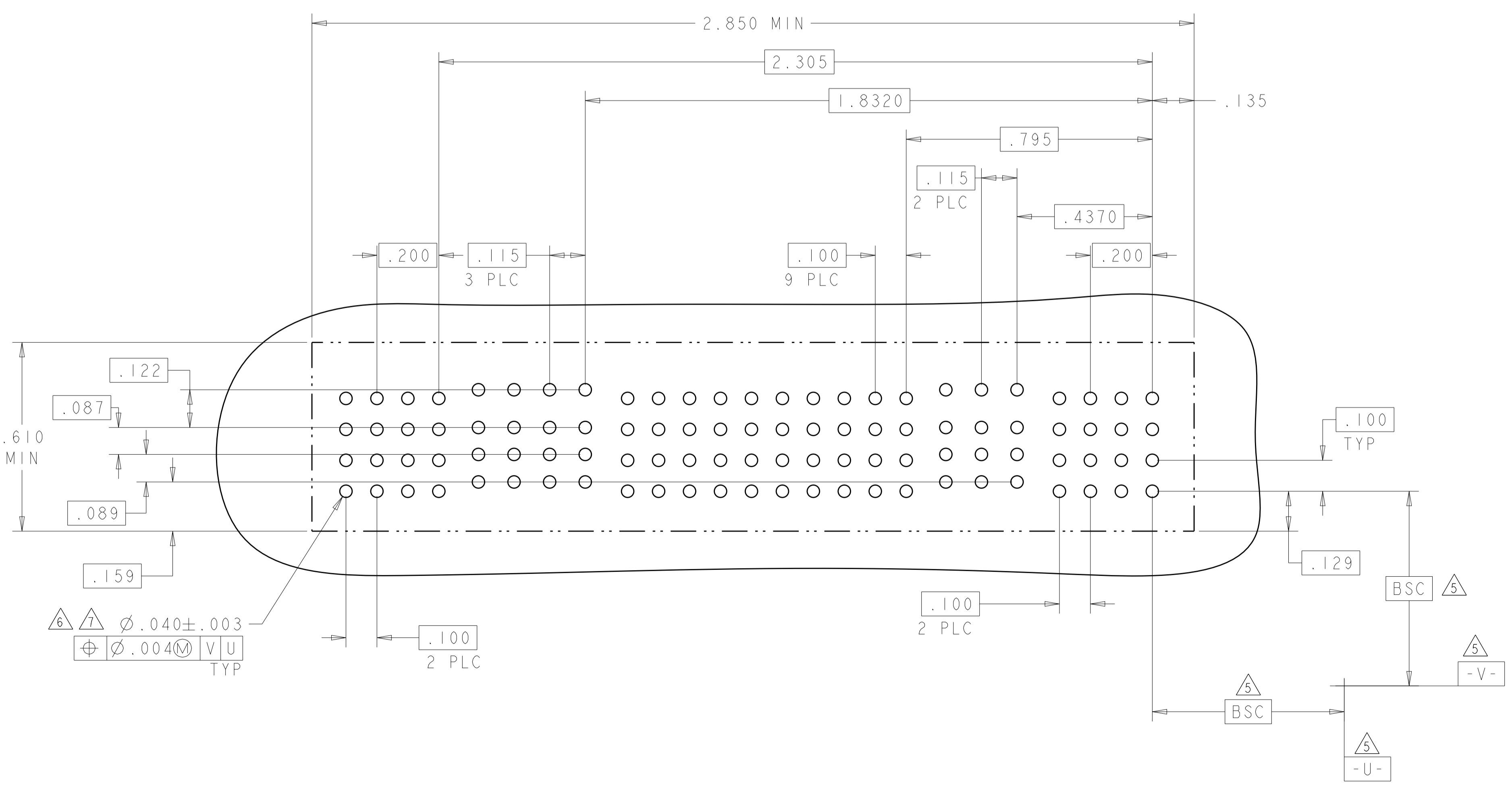


PART NUMBER	ROWS	POWER				SIGNAL										POWER							
		P4	P3	LP7	LP6	LP5	LP4	10	9	8	7	6	5	4	3	2	1	LP3	LP2	LP1	P2	P1	
1-6450869-6	D							AP	AP	AP	AP	AP	AP	AP	AP	AP	AP						
	C	GS	GS	LSI	LSI	LSI	LSI	AP	AP	AP	AP	AP	AP	AP	AP	AP	AP	LSI	LSI	LSI	GS	GS	
	B							AP	AP	AP	AP	AP	AP	AP	AP	AP	AP						
	A							AP	AP	AP	AP	AP	AP	AP	AP	AP	AP						

2HDP + 3LP + 40S + 4LP + 2HDP



PART NUMBER	POWER	
	P2	P1
1-6450869-7	GS	GS
2P		



THIS DRAWING IS A CONTROLLED DOCUMENT. DWN: H.LIU 30APR2008
 CHK: S.ZHAO 30APR2008
 APVD: S.YAO

DIMENSIONS: INCHES	TOLERANCES UNLESS OTHERWISE SPECIFIED:	NAME: S. YAO	PRODUCT SPEC: 108-2292	APPLICATION SPEC: 114-13038	WEIGHT: -	SIZE: A	CAGE CODE: 6450869	DRAWING NO: 100779	SCALE: 4:1	SHEET: 9	OF: 10	REV: E1
--------------------	--	--------------	------------------------	-----------------------------	-----------	---------	--------------------	--------------------	------------	----------	--------	---------

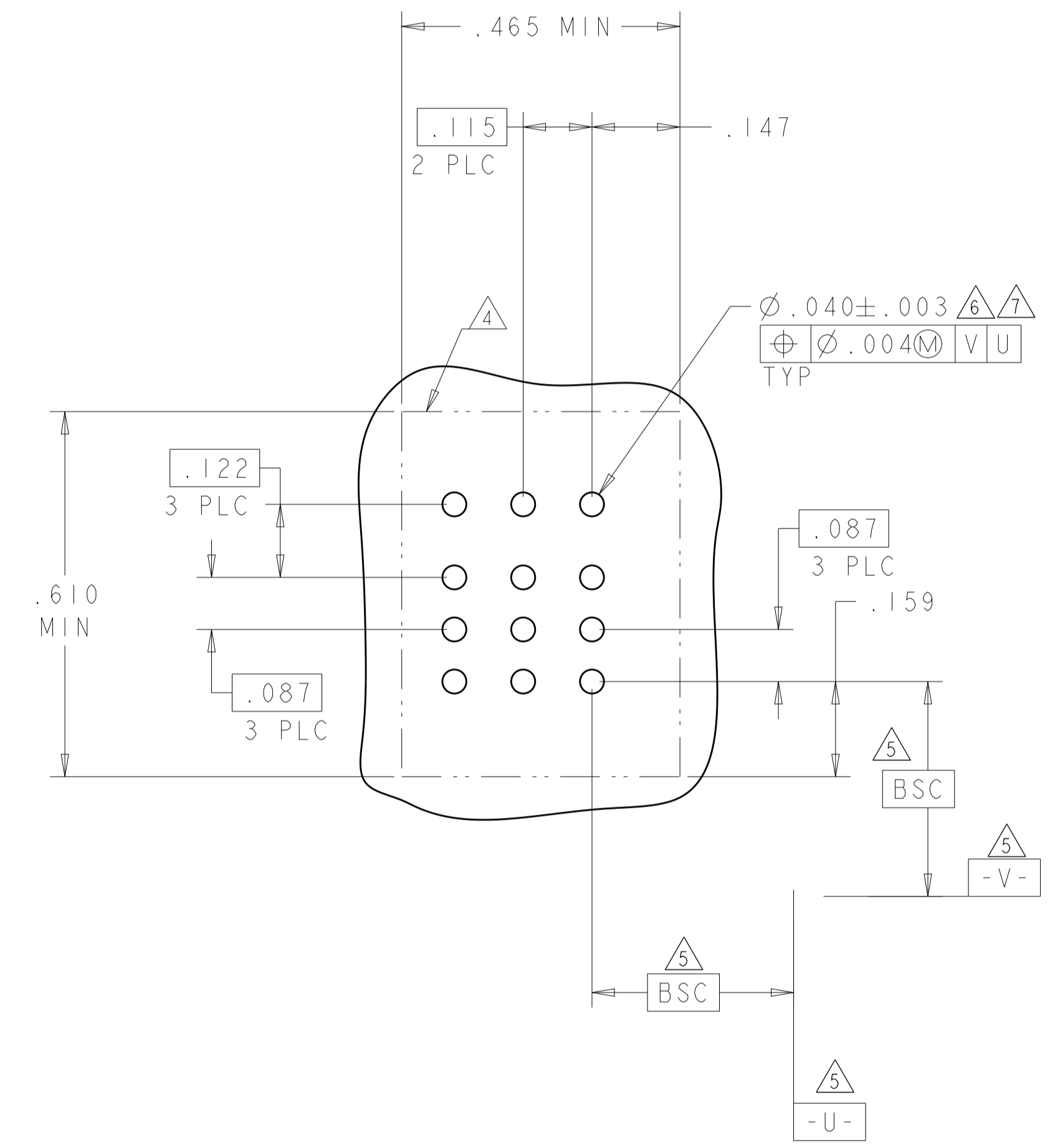
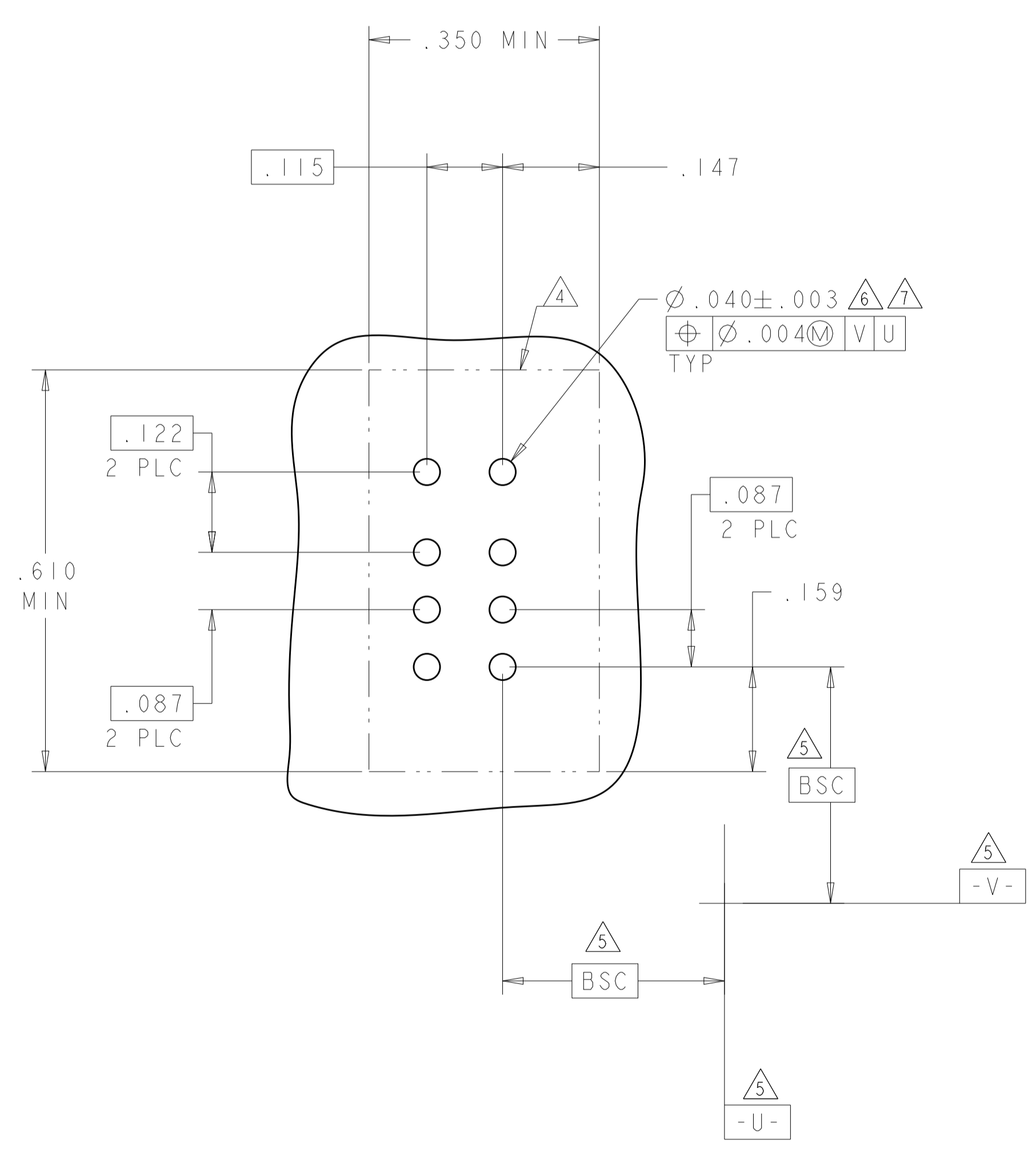
MATERIAL: - FINISH: -
 CUSTOMER DRAWING

STE TE Connectivity
 VERTICAL RECEPTACLE ASSEMBLY
 NO GUIDES
 MULTI-BEAM XLE

LOC	DIST	REVISIONS			
P	LTN	DESCRIPTION	DATE	DWN	APVD
ES	00	SEE SHEET 1	-	-	-

PART NUMBER	LOW POWER	
	LP2	LP1
2-6450869-2	LS1	LS1
2LP		

PART NUMBER	LOW POWER		
	LP3	LP2	LP1
2-6450869-3	LS1	LS1	LS1
3 LP			



THIS DRAWING IS A CONTROLLED DOCUMENT.		DWN: H.LIU 30APR2008	
DIMENSIONS: INCHES		CHK: S.ZHAO 30APR2008	
TOLERANCES UNLESS OTHERWISE SPECIFIED:		APVD: S.YAO	NAME: VERTICAL RECEPTACLE ASSEMBLY
0 PLC ±.01	1 PLC ±.01	PRODUCT SPEC: 108-2292	NO GUIDES
2 PLC ±.005	3 PLC ±.005	APPLICATION SPEC: 114-13038	MULTI-BEAM XLE
4 PLC ±.0020	ANGLES ±.2°	SIZE: A1	CAGE CODE: 6450869
MATERIAL: -	FINISH: -	WEIGHT: -	RESTRICTED TO: -
CUSTOMER DRAWING		SCALE: 4:1	SHEET 10 OF 10