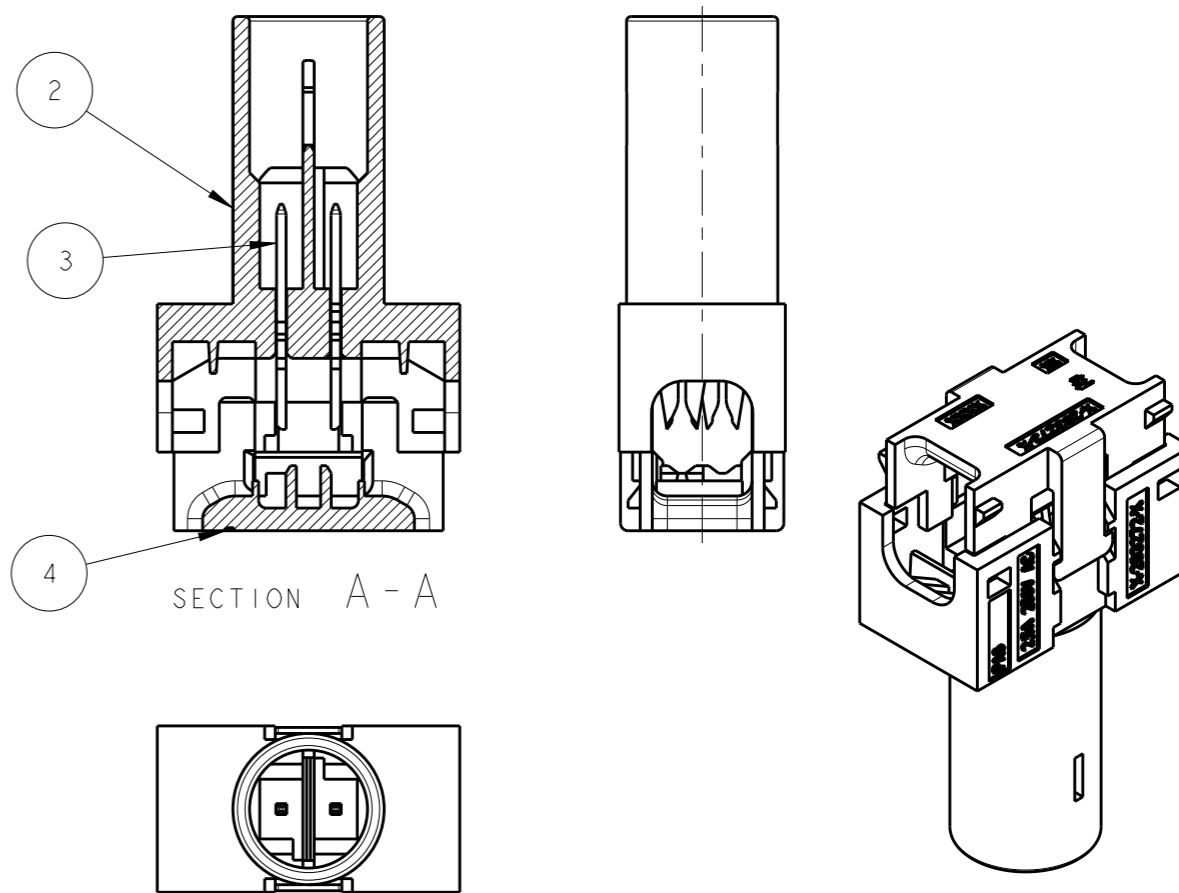
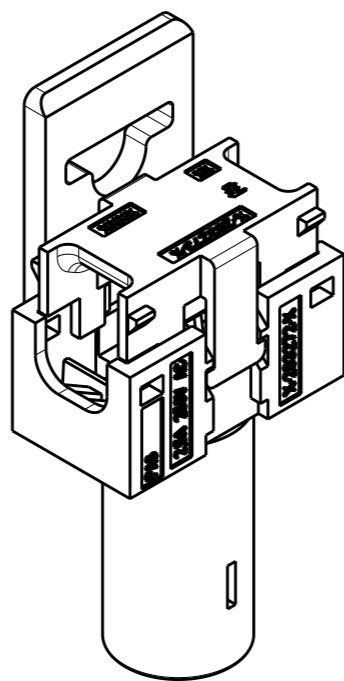
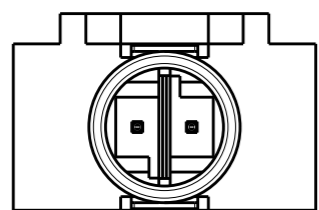
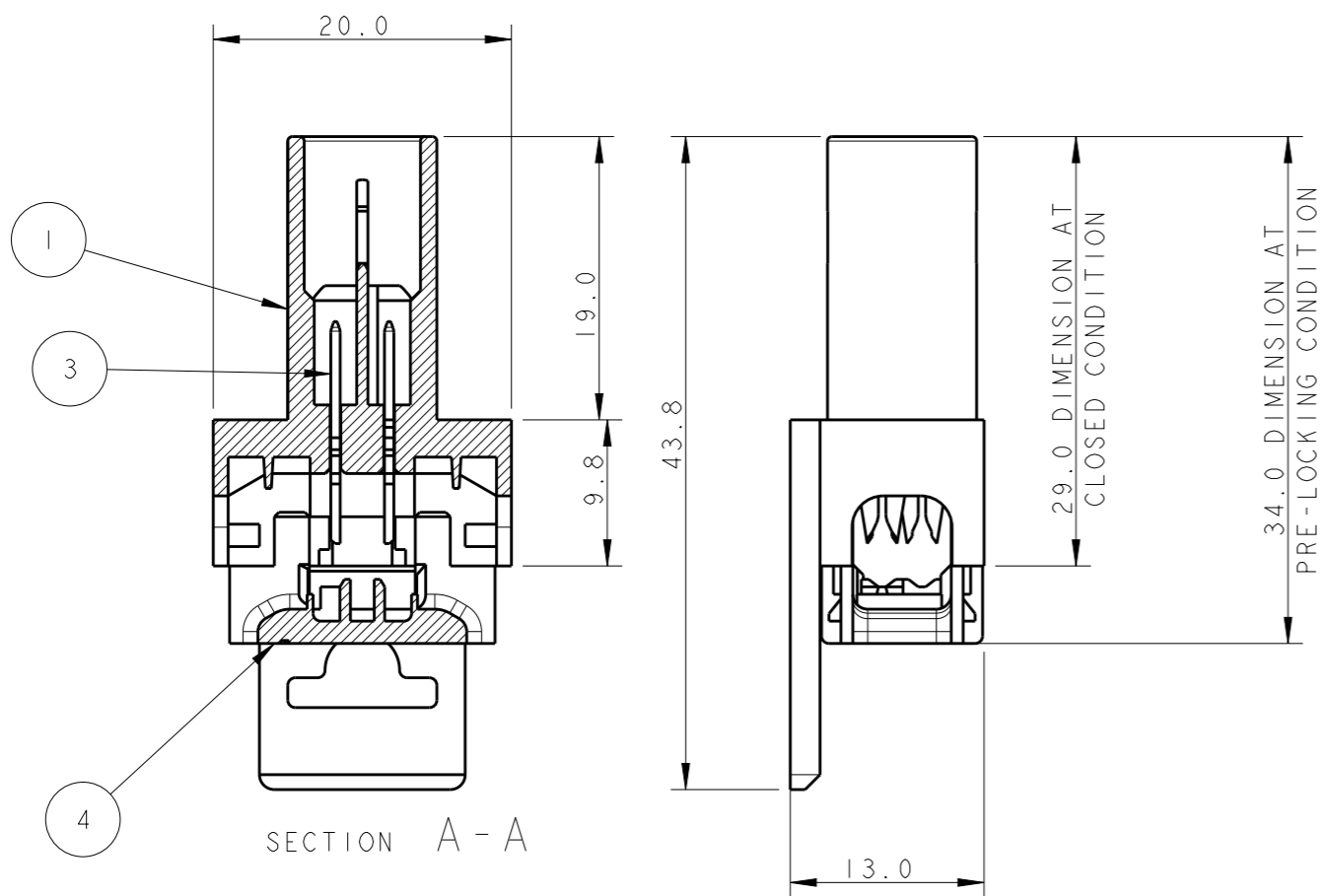


LOC	DIST	REVISIONS			
P	LTR	DESCRIPTION	DATE	DWN	APVD
A1	-	L	IMPROVED LOCKING RETENTION TEETH	20MAY2011	AV GT
		M	REMOVED H05VVH2-F CABLE	22AUG2012	MZ JC
		N	ECR-16-004670	26APR2016	RS JL

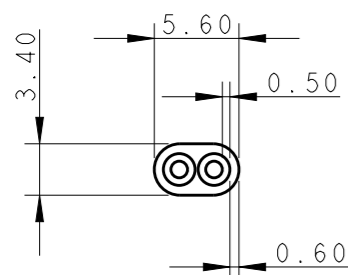


P/N 0-293300-3;-4 AS SHOWN
POLARIZATION KEY HV-1

MISSING DIMENSION SEE P/N 0-...-1

CABLE CONFIGURATION

CABLE H03VVH2-F
2x0.75 mm²



P/N 0-293300-1;-2 AS SHOWN
POLARIZATION KEY HV-1

THIS DRAWING IS A CONTROLLED DOCUMENT.		DWN A. Vecchia 23APR2007	TE Connectivity	
DIMENSIONS: mm		CHK G. Turco 23APR2007		
TOLERANCES UNLESS OTHERWISE SPECIFIED:		APVD G. Turco 23APR2007	NAME BUS BAR 2 POSITION GENERAL	
		PRODUCT SPEC 108-94018	SIZE A300779	
MATERIAL		APPLICATION SPEC 114-20131	CAGE CODE C-293300	DRAWING NO
FINISH		WEIGHT	RESTRICTED TO	
		CUSTOMER DRAWING	SCALE 2:1	SHEET 1 OF 2
			REV N	

Mouser Electronics

Authorized Distributor

Click to View Pricing, Inventory, Delivery & Lifecycle Information:

[TE Connectivity:](#)

[293300-9](#)