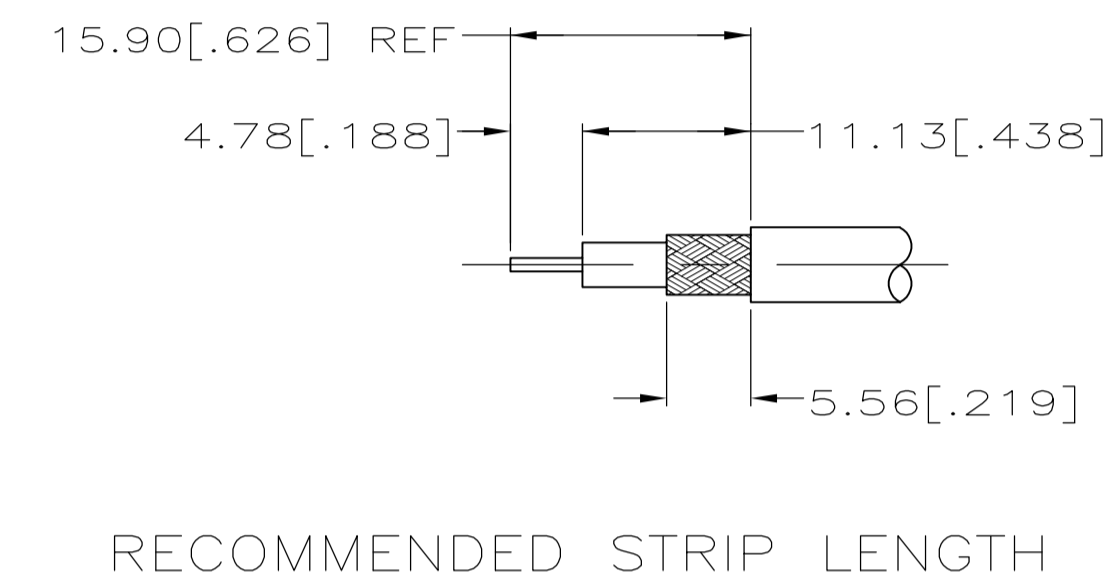
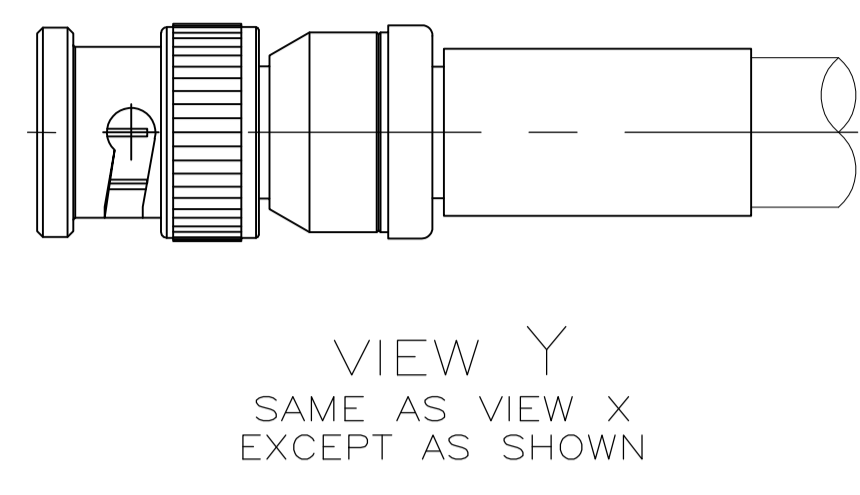
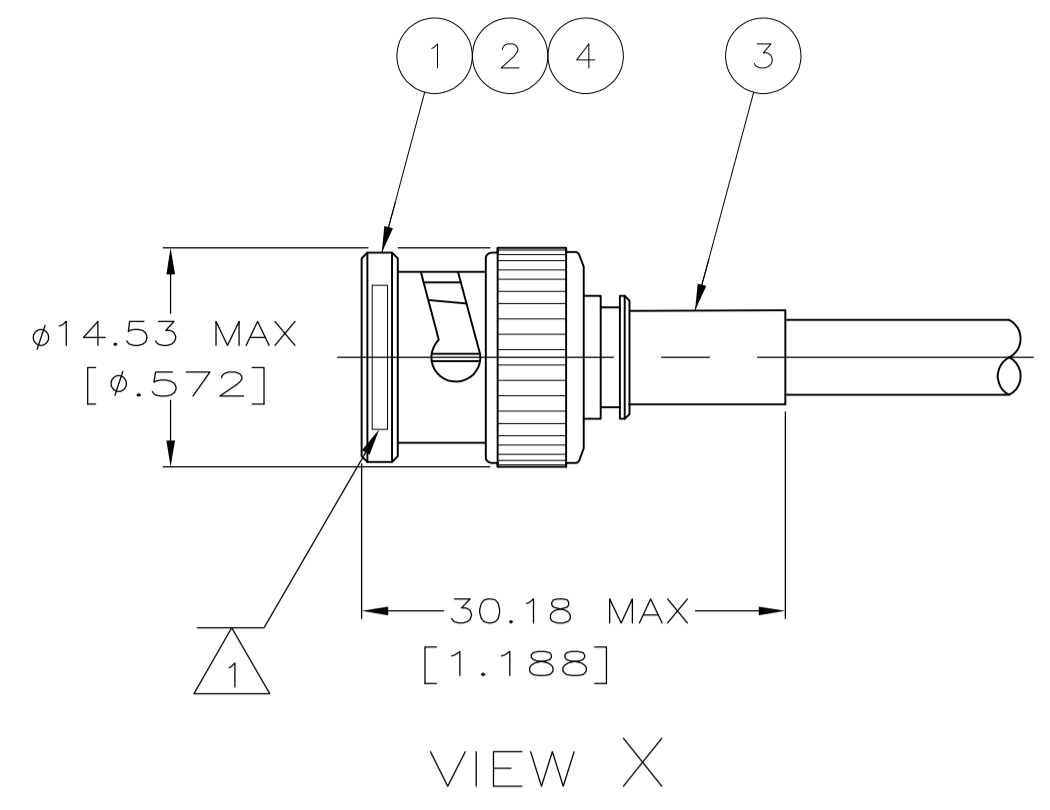


LOC	DIST	REV	DATE	BY	APPV
DF	X0				
AG2	REVISED PER ECO-12-008922		06SEP12	MGM	WM



- 1 PLUG MARKED AS SHOWN
- 2 SEE I.S. 1914-1
- 3 SEE SEPARATE RESTRICTED DRAWING WITH THIS PART NUMBER
- 4 DIE SET: 69727 WITH PNEUMATIC TOOL: 69365-3 OR HAND TOOL: 69710-1
- 5 BULK PACKAGED

FOR USE WITH CABLE	USE CRIMPING TOOL	MARKING	1	5	PLUG QTY=1	4	BUSHING QTY=1	3	FERRULE QTY=1	2	CONTACT QTY=1	1	PLUG ASSEMBLY QTY=1	VIEW	PART NUMBER
BELDEN 8281														X	9-331350-4
RG-179/U & 187/U							21427-2							X	9-331350-3
RG-58/U					2-331350-1									X	9-331350-1
RG-59/U					331350									X	9-331350-0
RG-174/U & 188/U							21427-2							X	8-331350-0
BELDEN YR20621														X	7-331350-7
2-331350-6														X	7-331350-6
5-225395-7														X	6-331350-7
BELDEN 9252 & RG-122/U														X	6-331350-6
RG-122/U														X	6-331350-6
SPECIAL, 0.71[.028] DIAMETER STRANDED CENTER CONDUCTOR, 1.58[.062] OUTSIDE DIAMETER DIELECTRIC, 69477-1							21427-2							X	6-331350-3
SPECIAL CD-1198														X	6-331350-1
BELDEN 8213														Y	5-331350-8
BRAND REX T209A														X	5-331350-5
BELDEN 8212														X	5-331350-3
SPECIAL GRUMMAN AIRCRAFT							21427-2							X	5-331350-0
BELDEN 8228														X	4-331350-1
BELDEN 8281														X	4-331350-0
ITT-3474														X	3-331350-8
RG-142/U, 142A/U & 142B/U														X	2-331350-9
RG-180A/U & 195/U														X	2-331350-6
RG-179/U & 187/U							21427-2							X	2-331350-5
RG-174/U & 188/U							21427-2							X	2-331350-4
RG-71/U, 71A/U & 71B/U														X	2-331350-3
AMPHENDL 21-597														X	2-331350-2
RG-58/U, 58A/U, 58B/U & 58C/U														X	2-331350-1
RG-59/U, 59A/U, 59B/U, 62/U, 62A/U & 62B/U														X	331350

THIS DRAWING IS A CONTROLLED DOCUMENT.

REVISIONS: R.E. RUTH (23JAN91), J. LIPPERT (23JAN91), M. PHILLIPS (23JAN91)

STE TE Connectivity

PLUG, DUAL CRIMP, SERIES BNC

108-12020

SIZE: A1, CAGE CODE: 00779, DRAWING NO: 331350

SCALE: 2:1, SHEET 1 OF 1, REV AG2