



OD7020 Series Datasheets

DC Fan

70 x 20mm (2.76 x .79in)

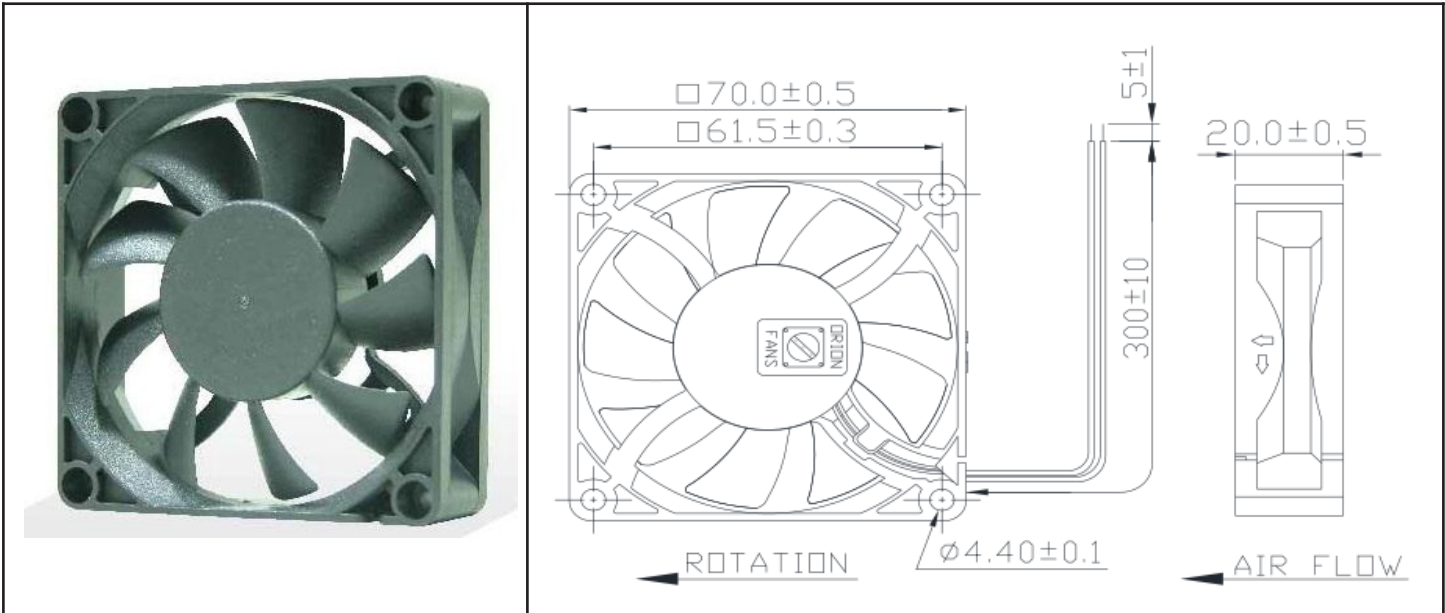


Model #	Pg #	Voltage	RPM	CFM	Noise Level	Max Static Pressure
OD7020-12HB	2	12 VDC	4500	41	41.5 dB	.26 H ₂ O
OD7020-12HHB10A	3	12 VDC	5000	45	43 dB	.31 H ₂ O

OD7020-12HB



DC Fan, 12VDC
70x20mm (2.76x.79in)



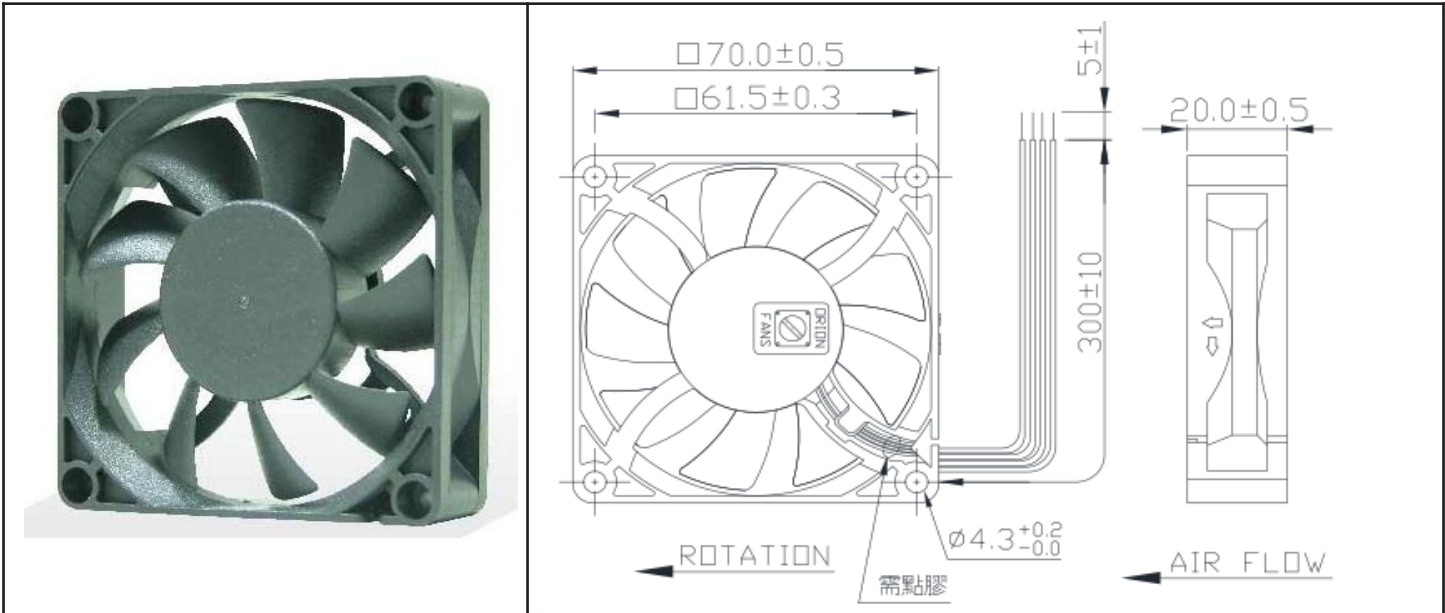
Frame & Impeller	PBT, UL94V-0 plastic	Available Options ThermalControl IP55 Other speeds and voltages Tachometer PWM *Connection: Wire Leads - UL1007 24AWG Red(+), Black (-), Weight: 62 g	
Connection	2x Lead wires *		
Motor	Brushless DC, auto restart, polarity protected.		
Bearing System	Dual ball bearing		
Insulation Resistance	Min. 10M at 500VDC		
Dielectric Strength	1 second at 500VAC max leakage 500 microamp		
Temperature Range	-10C ~ +70C		
Storage Temperature	-40C ~ +80C		
Life (L10)	70,000 hours (40C)		

Model Number	OD7020-12HB
Part Number	113141001
Nominal Voltage	12 VDC
Voltage Range	7~13.2 VDC
Nominal Current	.35 A
Rated Power	5.2 Watts
Rated Speed (RPM)	4500
Airflow (CFM)	41
Noise Level (dB)	41.5
Max. Static Pressure	.26 "H ₂ O

OD7020-12HHB10A



DC Fan, 12VDC
70x20mm (2.76x.79in)

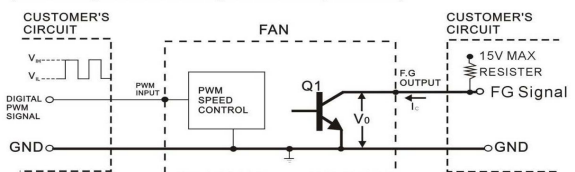


Frame & Impeller	PBT, UL94V-0 plastic	Available Options ThermalControl IP55 Other speeds and voltages *Connection: Wire Leads - UL1061, 26AWG Red(+), Black (-), White (tach), Blue (PWM) Weight: 62 g	
Connection	4x Lead wires *		
Motor	Brushless DC, auto restart, polarity protected.		
Bearing System	Dual ball bearing		
Insulation Resistance	Min. 10M at 500VDC		
Dielectric Strength	1 second at 500VAC max leakage 500 microamp		
Temperature Range	-10C ~ +70C		
Storage Temperature	-40C ~ +80C		
Life (L10)	70,000 hours (40C)		

Model Number	OD7020-12HHB10A
Part Number	113151261
Nominal Voltage	12 VDC
Voltage Range	8~13.2 VDC
Nominal Current	.50 A
Rated Power	6 Watts
Rated Speed (RPM)	5000
Airflow (CFM)	45
Noise Level (dB)	43
Max. Static Pressure	.31 "H ₂ O

* OUTPUT OF LOCKED SIGNAL -----OPEN COLLECTOR TYPE

(External signal function design is decided by customer)



- *TRANSISTOR Q1 AT "ON" POSITION
COLLECTOR CURRENT----- $I_c = 10\text{mA MAX}$
SATURATION VOLTAGE----- $V_{ce} = 1\text{V MAX}$
- *TRANSISTOR Q1 AT "OFF" POSITION
RELEASE VOLTAGE----- $V_{ce} = 15\text{V MAX}$
- *DIGITAL PWM SPEED CONTROL POSITION
PWM INPUT VOLTAGE HIGH----- $V_{in} = 3\text{V} \sim 5.5\text{V}$
PWM INPUT VOLTAGE LOW----- $V_{in} = 0\text{V} \sim 0.5\text{V}$
- *PWM INPUT FREQUENCY----- $f_{PWM} = 18\text{KHZ} \sim 30\text{KHZ}$