

# Product data sheet

Specifications



## Head for non illuminated push button, Harmony XB5, XB4, black flush pushbutton Ø22 mm unmarked

ZB5AH02

**Product availability : Stock - Normally stocked in distribution facility**

**Price\* : 17.60 USD**

### Main

Range of Product	Harmony XB5
Product or Component Type	Head for non-illuminated push-button
Device short name	ZB5
Bezel material	Dark grey plastic
Mounting diameter	0.87 in (22 mm)
Head type	Standard
Sale per indivisible quantity	1
Shape of signaling unit head	Round
Type of operator	push-push
Operator profile	Black flush, unmarked

### Complementary

CAD overall width	1.14 in (29 mm)
CAD overall height	1.14 in (29 mm)
CAD overall depth	1.10 in (28 mm)
Net weight	0.04 lb(US) (0.018 kg)
Mechanical durability	2000000 cycles
Station name	XALD 1...5 cut-outs XALK 2...5 cut-outs
Electrical composition code	C11 3 single front mounting C15 1 single front mounting SF1 3 single front mounting SR1 3 single rear mounting C9 3 single front mounting
Device presentation	Basic element

### Environment

Protective treatment	TH
Ambient Air Temperature for Storage	-40...158 °F (-40...70 °C)
Ambient Air Temperature for Operation	-40...158 °F (-40...70 °C)

\* Price is "List Price" and may be subject to a trade discount – check with your local distributor or retailer for actual price.

<b>Overvoltage category</b>	Class II IEC 60536
<b>IP degree of protection</b>	IP66 IEC 60529 IP67 IP69 IP69K
<b>NEMA degree of protection</b>	NEMA 13 NEMA 4X
<b>Resistance to high pressure washer</b>	1015.26 psi (7000000 Pa) 131 °F (55 °C) 0.1 m
<b>IK degree of protection</b>	IK03 IEC 50102
<b>Standards</b>	EN/IEC 60947-5-1 CSA C22.2 No 14 EN/IEC 60947-1 UL 508 JIS C8201-5-1 EN/IEC 60947-5-4 JIS C8201-1
<b>Product certifications</b>	GL DNV UL Listed CSA BV LROS (Lloyds register of shipping)
<b>Shock resistance</b>	30 gn 18 ms) half sine wave acceleration IEC 60068-2-27 50 gn 11 ms) half sine wave acceleration IEC 60068-2-27
<b>Vibration resistance</b>	5 gn 2...500 Hz)IEC 60068-2-6

## Ordering and shipping details

<b>Category</b>	22467-PUSHBUTTONS,22MM(PLASTIC) NEW
<b>Discount Schedule</b>	CS2
<b>GTIN</b>	3389110134841
<b>Nbr. of units in pkg.</b>	1
<b>Package weight(Lbs)</b>	0.65 oz (18.5 g)
<b>Returnability</b>	Yes
<b>Country of origin</b>	FR

## Packing Units

<b>Unit Type of Package 1</b>	PCE
<b>Package 1 Height</b>	1.18 in (3 cm)
<b>Package 1 width</b>	1.57 in (4 cm)
<b>Package 1 Length</b>	1.97 in (5 cm)
<b>Unit Type of Package 2</b>	S01
<b>Number of Units in Package 2</b>	50
<b>Package 2 Weight</b>	2.35 lb(US) (1.066 kg)
<b>Package 2 Height</b>	5.91 in (15 cm)
<b>Package 2 width</b>	5.91 in (15 cm)
<b>Package 2 Length</b>	15.75 in (40 cm)
<b>Unit Type of Package 3</b>	P06
<b>Number of Units in Package 3</b>	1600
<b>Package 3 Weight</b>	90.59 lb(US) (41.092 kg)
<b>Package 3 Height</b>	29.53 in (75 cm)
<b>Package 3 width</b>	31.50 in (80 cm)

---

Package 3 Length	23.62 in (60 cm)
------------------	------------------

---

## Offer Sustainability

---

Sustainable offer status	Green Premium product
--------------------------	-----------------------

---

---

California proposition 65	WARNING: This product can expose you to chemicals including: Nickel compounds, which is known to the State of California to cause cancer, and Di-isodecyl phthalate (DIDP), which is known to the State of California to cause birth defects or other reproductive harm. For more information go to <a href="http://www.P65Warnings.ca.gov">www.P65Warnings.ca.gov</a>
---------------------------	--

---

---

REACH Regulation	<a href="#">REACH Declaration</a>
------------------	-----------------------------------

---

---

REACH free of SVHC	Yes
--------------------	-----

---

---

EU RoHS Directive	Pro-active compliance (Product out of EU RoHS legal scope) <a href="#">EU RoHS Declaration</a>
-------------------	---

---

---

Mercury free	Yes
--------------	-----

---

---

RoHS exemption information	<a href="#">Yes</a>
----------------------------	---------------------

---

---

China RoHS Regulation	<a href="#">China RoHS declaration</a>
-----------------------	--

---

---

Environmental Disclosure	<a href="#">Product Environmental Profile</a>
--------------------------	---

---

---

Circularity Profile	<a href="#">End of Life Information</a>
---------------------	---

---

## Contractual warranty

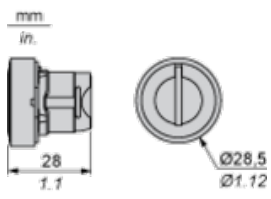
---

Warranty	18 months
----------	-----------

---

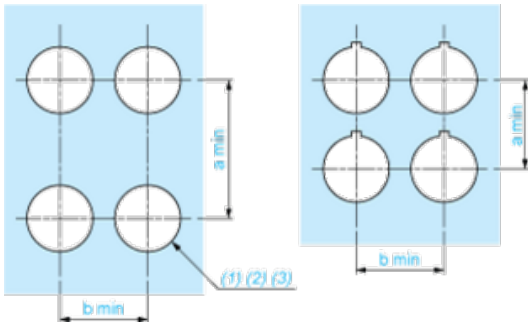
Dimensions

---



**Panel Cut-out for Pushbuttons, Switches and Pilot Lights (Finished Holes, Ready for Installation)**

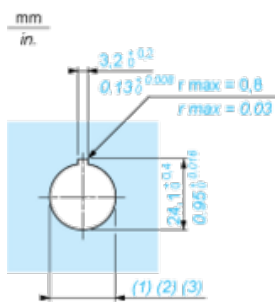
**Connection by Screw Clamp Terminals or Plug-in Connectors or on Printed Circuit Board**



- (1) Diameter on finished panel or support
- (2) For selector switches and Emergency stop buttons, use of an anti-rotation plate type ZB5AZ902 is recommended.
- (3)  $\varnothing 22.5$  mm recommended ( $\varnothing 22.3 \text{ }_0^{+0.4}$ ) /  $\varnothing 0.89$  in. recommended ( $\varnothing 0.88 \text{ in. }_0^{+0.016}$ )

Connections	a in mm	a in in.	b in mm	b in in.
By screw clamp terminals or plug-in connector	40	1.57	30	1.18
By Faston connectors	45	1.77	32	1.26
On printed circuit board	30	1.18	30	1.18

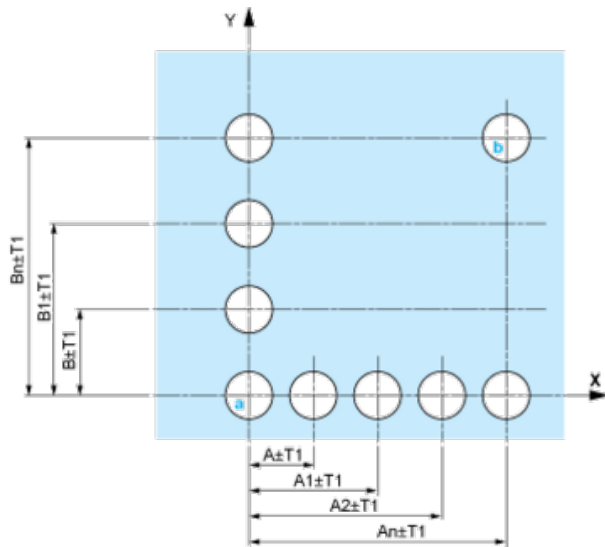
**Detail of Lug Recess**



- (1) Diameter on finished panel or support
- (2) For selector switches and Emergency stop buttons, use of an anti-rotation plate type ZB5AZ902 is recommended.
- (3)  $\varnothing 22.5$  mm recommended ( $\varnothing 22.3 \text{ }_0^{+0.4}$ ) /  $\varnothing 0.89$  in. recommended ( $\varnothing 0.88 \text{ in. }_0^{+0.016}$ )

**Pushbuttons, Switches and Pilot Lights for Printed Circuit Board Connection**

**Panel Cut-outs (Viewed from Installer's Side)**

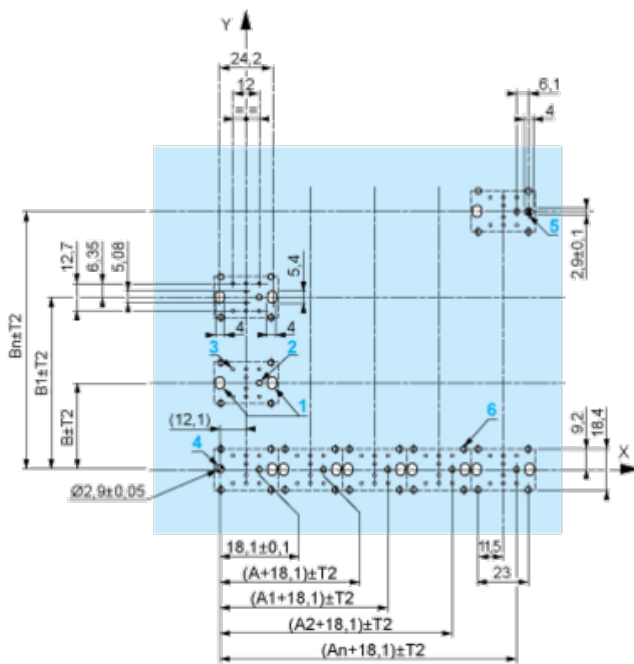


**A:** 30 mm min. / 1.18 in. min.

**B:** 40 mm min. / 1.57 in. min.

**Printed Circuit Board Cut-outs (Viewed from Electrical Block Side)**

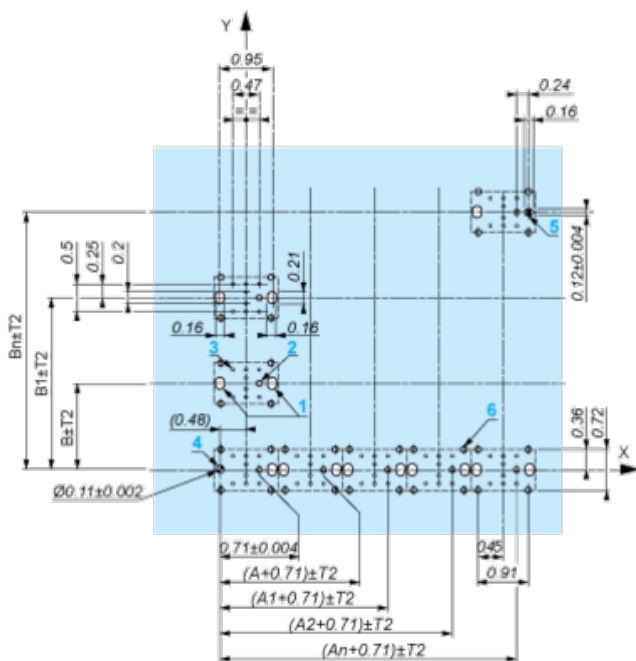
Dimensions in mm



**A:** 30 mm min.

**B:** 40 mm min.

Dimensions in in.



A: 1.18 in. min.

B: 1.57 in. min.

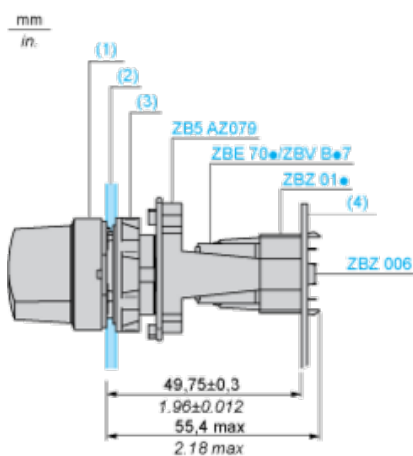
### General Tolerances of the Panel and Printed Circuit Board

The cumulative tolerance must not exceed 0.3 mm / 0.012 in.:  $T1 + T2 = 0.3 \text{ mm max.}$

### Installation Precautions

- Minimum thickness of circuit board: 1.6 mm / 0.06 in.
- Cut-out diameter: 22.4 mm  $\pm$  0.1 / 0.88 in.  $\pm$  0.004
- Orientation of body/fixing collar ZB5AZ009:  $\pm 2^\circ 30'$  (excluding cut-outs marked **a** and **b**).
- Tightening torque of screws ZBZ006: 0.6 N.m (5.3 lbf.in) max.
- Allow for one ZB5AZ079 fixing collar/pillar and its fixing screws:
  - every 90 mm / 3.54 in. horizontally (X), and 120 mm / 4.72 in. vertically (Y).
  - with each selector switch head (ZB5AD•, ZB5AJ•, ZB5AG•).

The fixing centers marked **a** and **b** are diagonally opposed and must align with those marked **4** and **5**.



(1) Head ZB5AD•

(2) Panel

(2) Nut

(4) Printed circuit board

### Mounting of Adapter (Socket) ZBZ01•

- 1 2 elongated holes for ZBZ006 screw access
- 2 1 hole  $\varnothing$  2.4 mm  $\pm$  0.05 / 0.09 in.  $\pm$  0.002 for centring adapter ZBZ01•
- 3 8  $\times$   $\varnothing$  1.2 mm / 0.05 in. holes
- 4 1 hole  $\varnothing$  2.9 mm  $\pm$  0.05 / 0.11 in.  $\pm$  0.002, for aligning the printed circuit board (with cut-out marked **a**)
- 5 1 elongated hole for aligning the printed circuit board (with cut-out marked **b**)
- 6 4 holes  $\varnothing$  2.4 mm / 0.09 in. for clipping in adapter ZBZ01•

Dimensions  $An + 18.1$  relate to the  $\varnothing$  2.4 mm  $\pm$  0.05 / 0.09 in.  $\pm$  0.002 holes for centring adapter ZBZ01•.

**Electrical Composition Corresponding to Codes C9, C11, SF1 and SR1**

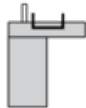
---



**Electrical Composition Corresponding to Code C15**

---

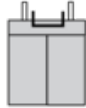
1 N/O



1 N/C



1 N/O + N/C or 1 N/O + N/O or 1 N/C + N/C



**Legend**

---

Single contact



Double contact



Light block



Possible location

