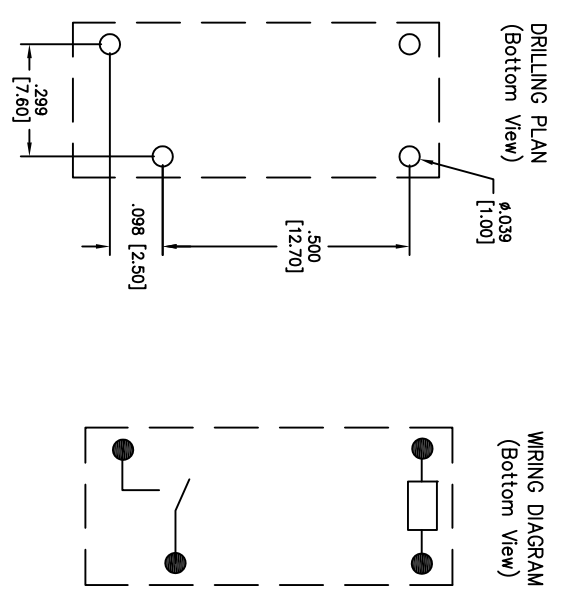
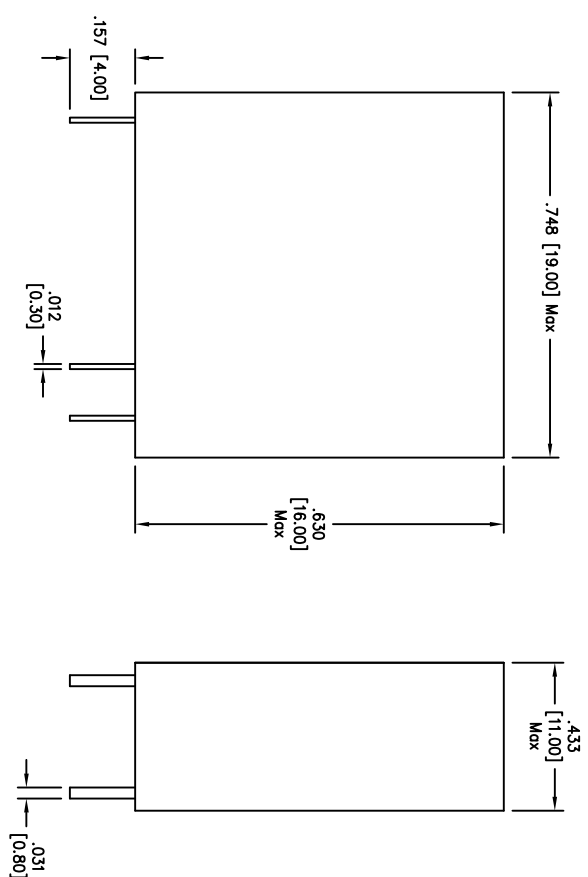


Rev	AWO #	Description	Date	Appr
-		RELEASED	8/26/09	

APPROVED: _____
 DATE: _____ TITLE: _____



PART NO.	RPN-1A-P-12
Coil Rated Voltage	12VDC
Coil Rated Current	37.5mA
Pick-up Voltage	9VDC
Drop-out Voltage	0.6VDC
Coil Resistance	320Ω

SPECIFICATIONS:

Electrical:

Contact arrangement: 1H
 Contact material: Ag Alloy
 Contact Rating (Resistive load): 5A @ 250V AC 5A @ 30V DC
 Max. Switching Voltage: 250V AC / 30V DC
 Max. Operating Power: 1250VA
 Contact resistance: 100 mΩ max. Initial
 Insulation resistance: 100 MΩ min. @ 500V DC
 Dielectric withstanding voltage:
 Between Coil & Contact: 3000V AC 50/60HZ for 1 min.
 Between Contacts: 750V AC 50/60HZ for 1 min.
 Operating time: 20ms max. Release time: 10ms max.
 Electrical Life: 100,000 Operations (at rated load)

Mechanical:

Vibration resistance (Endurance): 1.5mm D.A. 10-55HZ
 Shock resistance: 10G min.
 Mechanical Life: 10,000,000 Operations (no load)
 Temperature Rating: Ambient temperature: -40°C to +85°C
 Environmental:

Lead free, RoHS compliant
 Recommended soldering temp: 235°C for 5 sec.
 Packaging: Anti-ESD plastic trays
 Safety Agency Approvals: cUL Recognized File No. E305638

UNLESS OTHERWISE SPECIFIED
 ALL DIMENSIONS ARE INCHES [MM]
 TOLERANCES: EXCEPT AS NOTED
 INCHES HOLES

.X	± .10	ØX	± .10
.XX	± .020	ØXXX	± .015
.XXX	± .015	ØXXXX	± .010

ADAM TECH
 909 Railway Avenue, Union, NJ 07083
 Phone: 908-687-5000 Fax: 908-687-5710

TITLE
POWER RELAY, 12VDC COILS, 1H

APPROVALS	DATE
DRAWN DY	8/26/09
CHECKED	
APPROVED	

SIZE	PART NO.	REV.
X	RPN-1A-P-12	-

REF: S00006C SCALE: NTS SHEET 1 OF 1

6

5

4

3

2

1