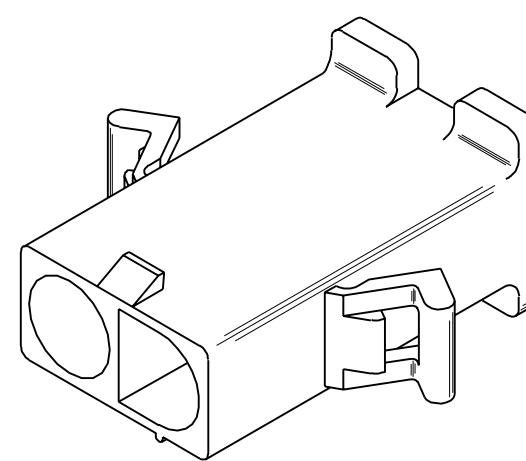


RIB TO IDENTIFY CKT. NO. 1

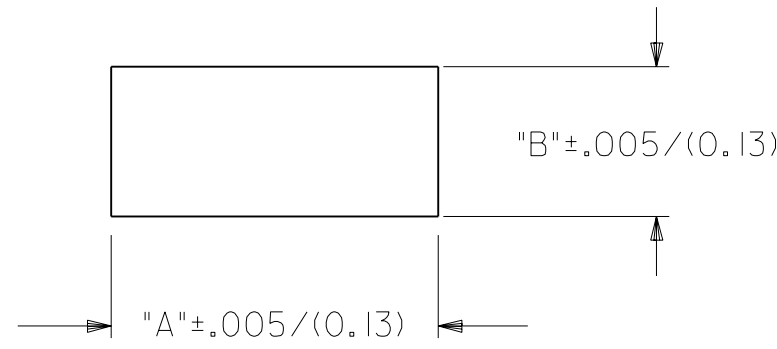
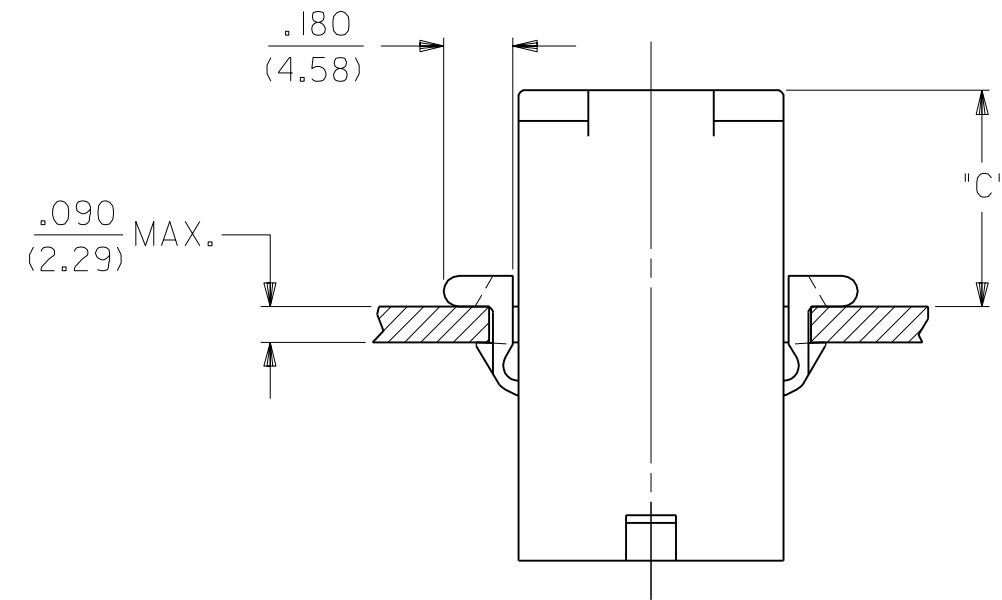


PLUG

DIMENSIONS SHOWN (METRIC) INCH		▽ = 0	▼ = 0	REVISE ONLY ON CAD SYSTEM
UNLESS OTHERWISE SPECIFIED TOLERANCES: ANGULAR ± 10°		TITLE		
		.125/(3.17) HOUSING, PLUG & RECEPTACLE, 2 CKT., .330/(8.38) CTR.		
		MOLEX INCORPORATED		
		LITSLLE, ILL. 60532 U.S.A.		
		SHEET NO. 2		DATE 7/26/88
		PART NO. SEE CHART		DRWG. NO. SD-42179-2*
DRWG. BY: GEP		CHK'D. BY: RW		FILE NAME: S421792X2.DGN
APP'D. BY: RAS		SCALE: 2 : 1		THIS DRAWING CONTAINS INFORMATION THAT IS PROPRIETARY TO MOLEX INC. AND SHOULD NOT BE USED WITHOUT WRITTEN PERMISSION.
LTR.	REVISIONS	LTR.	REVISIONS	DIV. CP

PLUG		
PART NO.	ENG. NO.	
03-12-2026	42179-2P1	
03-12-2025	42179-2P	
03-12-7021	42179-2PBK	<b>OBSOLETE</b>
03-12-7022	42179-2PIRD	<b>OBSOLETE</b>

RECEPTACLE		
PART NO.	ENG. NO.	
03-12-1026	42179-2R1	
03-12-6021	42179-2R1BK	<b>OBSOLETE</b>
03-12-6022	42179-2R1RD	<b>OBSOLETE</b>



RECOMMENDED HOLE CUTOUT

HOUSING	DIM. "A"	DIM. "B"	DIM. "C"
PLUG	.851/(21.62)	.440/(11.18)	.57/(14.5)

**LEGEND:**

42179-2\*\*\*\*-\*

CIRCUIT SIZE: \_\_\_\_\_  
 HOUSING TYPE: \_\_\_\_\_  
 P = PLUG  
 R = RECEPTACLE  
 MOUNTING EAR OPTION: \_\_\_\_\_  
 BLANK = WITH PREBENT EARS, PLUG ONLY  
 I = WITHOUT EARS

COLOR: \_\_\_\_\_  
 BLANK = 94V-2: TRANSLUCENT NATURAL COLOR  
 AM=AMBER BK=BLACK BU=BLUE  
 BN=BROWN GY=GRAY GN=GREEN  
 OR=ORANGE RD=RED YW=YELLOW

MATERIAL: \_\_\_\_\_  
 BLANK = NYLON 6/6, U.L. 94V-2

**NOTES:**

- PART ACCEPTS A MAXIMUM .250/(6.35) INSULATION DIA.
- FOR USE WITH MOLEX .125/(3.17) DIAMETER SERIES TERMINALS EXCEPT THE 1219/1220 SERIES.
- THIS PART IS THE SAME AS 42348-2 EXCEPT FOR POLARIZATION OF FIRST CIRCUIT.

		F2	SEE SHEET I
		F1	SEE SHEET I
		F	SEE SHEET I
		D	SEE SHEET I
H	SEE SHEET I	B	SEE SHT. I
GI	SEE SHEET I	A	SEE SHT. I
G	SEE SHEET I	I	SEE SHT. I
LTR.	REVISIONS	LTR.	REVISIONS

DIMENSIONS SHOWN (METRIC) INCH	
UNLESS OTHERWISE SPECIFIED TOLERANCES: ANGULAR $\pm$ 10°	
INCH	METRIC
3 PLACE $\pm$ .007	---
2 PLACE $\pm$ .010	$\pm$ 0.18
1 PLACE	---
	$\pm$ 0.25

DRAFT WHERE APPLICABLE MUST REMAIN WITHIN DIMENSIONS

$\nabla$ = 0	$\blacktriangledown$ = 0	REVISE ONLY ON CAD SYSTEM
TITLE .125/(3.17) HOUSING, PLUG AND RECEPTACLE, 2 CKT., .330/(8.38) CTR.		
MOLEX INCORPORATED LITSLIE, ILL. 60532 U.S.A.		SHEET NO. 3 DATE 7/26/88
PART NO. SD-42179-2*		DRWG. NO.
SEE CHART		FILE NAME S421792X3 DGN
THIS DRAWING CONTAINS INFORMATION THAT IS PROPRIETARY TO MOLEX INC. AND SHOULD NOT BE USED WITHOUT WRITTEN PERMISSION.		DIV. CP SIZE C

42179