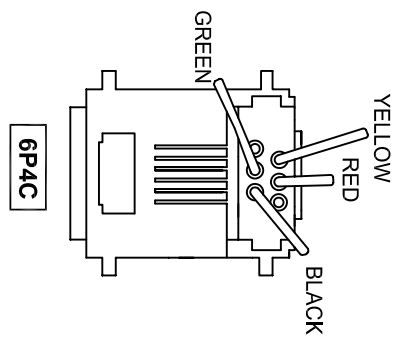
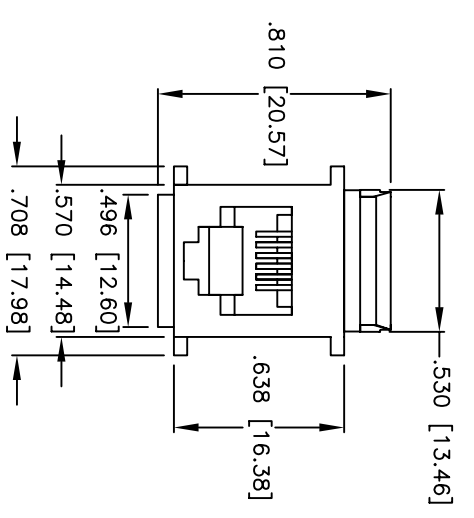
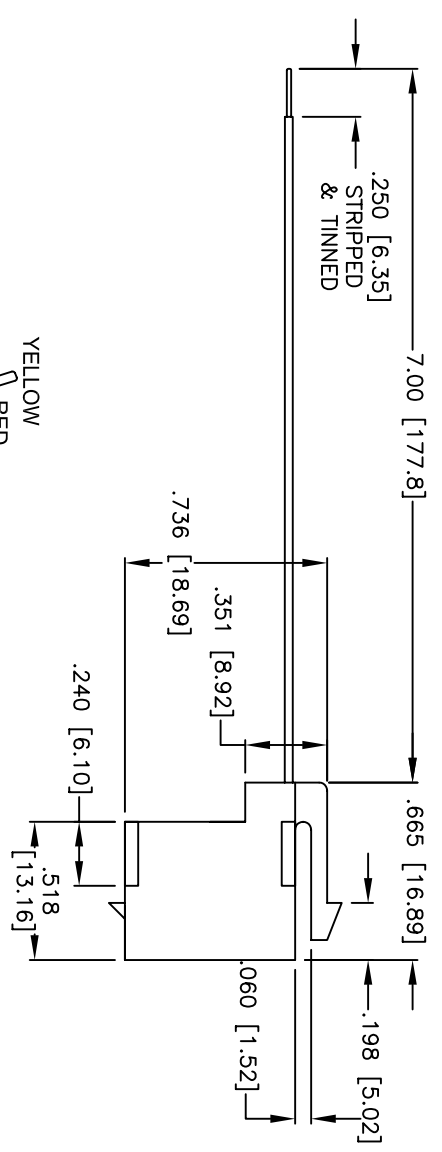


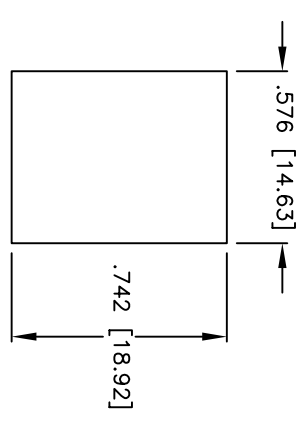
Rev	AWO #	Description	Date	Appr
-	5442	RELEASED	8/29/05	

APPROVED: \_\_\_\_\_ TITLE: \_\_\_\_\_  
 DATE: \_\_\_\_\_



X	PLATING
0	15 μ" Gold
1	30 μ" Gold
2	50 μ" Gold

**RECOMMENDED PANEL CUTOUT**



**SPECIFICATIONS:**

Material: Insulator: ABS, rated UL 94V-0  
 Insulator color: Black  
 Contacts: Phosphor Bronze  
 Wires: 26 AWG, UL0 1061, Stranded, PVC insulated  
 Plating: 15μ" Gold over Nickel underplate on mating area  
 Electrical: Operating voltage: 150 VAC max.  
 Current rating: 1.5 Amps max.  
 Contact resistance: 20 mohms max. initial  
 Insulation resistance: 1000 Mohms min.  
 Dielectric withstanding voltage: 1,000 VAC for 1 minute  
 Temperature Rating: Operating temperature: -40°C to +125°C  
 Environmental: Lead free, RoHS compliant

**ADAM TECH**

909 Railway Avenue, Union, NJ 07083  
 Phone: 908-687-5000 Fax: 908-687-5710

WIRE LEADED TELEPHONE JACK, 26 AWG,  
 7" LEADS, .25 [6.35] STRIPPED & TINNED

UNLESS OTHERWISE SPECIFIED ALL DIMENSIONS ARE INCHES [MM]		TOLERANCES: EXCEPT AS NOTED INCHES		HOLDS	
X	± .10	ØX	± .10		
.XX	± .020	ØXXX	± .015		
.XXX	± .015	ØXXX	± .010		
APPROVALS		DATE		TITLE	
DRAWN	SS	8/29/05		WIRE LEADED TELEPHONE JACK, 26 AWG, 7" LEADS, .25 [6.35] STRIPPED & TINNED	
CHECKED		SIZE	PART NO.	REV.	
APPROVED		X	MTJP-648-K4-X-A1-1		
REF:		SCALE:	NTS	SHEET	1 OF 1