

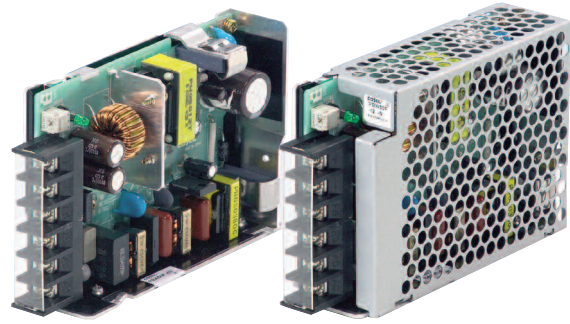
PBB20C-D Series

15-50W- AC/DC DUAL OUTPUT

OPEN FRAME & ENCLOSED

FEATURES

- Super small-size & light weight
- Universal AC input range
- High Efficiency
- DC input voltage, 120-370Vdc



SPECIFICATIONS

INPUT	
Voltage	85-264Vac or 120-370Vdc Universal mains input.
Frequency	47-440Hz or DC.
Inrush current	100Vin 15A typical; 200Vin 30A typical.
Efficiency	75%-83% typical
Isolation	In/Out 3kVac, 1min / R>50MΩ @ 500Vdc In/FG 2kVac, 1min / R>50MΩ @ 500Vdc Out/FG 500Vac, 1min / R>750MΩ @500Vdc

OUTPUT	
Voltage	See table
Voltage adjustment	5Vdc: 4.99Vdc to 6Vdc 12Vdc: 9.60Vdc to 13.2Vdc 15Vdc: 13.2Vdc to 16.5Vdc (+V and -V are simultaneously adjusted)
Output current	See table.
Ripple & noise	See table.
Line regulation	PBB20C-D12F 60mV PBB20C-D15F 60mV PBB20C-D5H 20mV PBB20C-D12H 60mV PBB20C-D15H 60mV PBB20C-D5F 20mV PBB20C-D12F 48mV PBB20C-D15F 60mV
Load regulation	PBB20C-D12F V1 600mV, V2 750mV PBB20C-D15F V1 600mV, V2 750mV PBB20C-D5H V1 250mV, V2 500mV PBB20C-D12H V1 600mV, V2 750mV PBB20C-D15H V1 600mV, V2 750mV PBB20C-D5J V1 250mV, V2 500mV PBB20C-D12J V1 600mV, V2 750mV PBB20C-D15J V1 600mV, V2 750mV

Over voltage protection	Approx. 130% of rated voltage
Over current protection	Over 105% of rated current and recovers automatically.
Startup time	200ms max.
Holdup time	20ms typical

ENVIRONMENTAL	
Operating temperature	-10°C to 70°C (Refer to derating curve, consult Powerbox sales)
Humidity	20 – 90% RH Non-Condensing
Vibration	10Hz-55Hz 19.6m/s ² (2G) 3 mins x, y and z axes
Impact	196.1m/s ² (20G), once along x, y and z axes

STANDARDS	
Safety standards	UL60950-1, C-UL(CSA60950-1), EN60950-1, EN50178, Complies with DEN-AN.
C-Tick	AS/NZS CISPR11 Group 1 Class A.
EMC standards	EN61204-3, EN61000-6-2, EN61000-4-2, -3, -4, -5, -6, -8, -11
EMI standards	Complies with FCC-B, CISPR22-B, EN55011-B, EN55022-B, VCCI-B
CE marking	Complies with LVD and EMC Directives

SELECTION TABLE

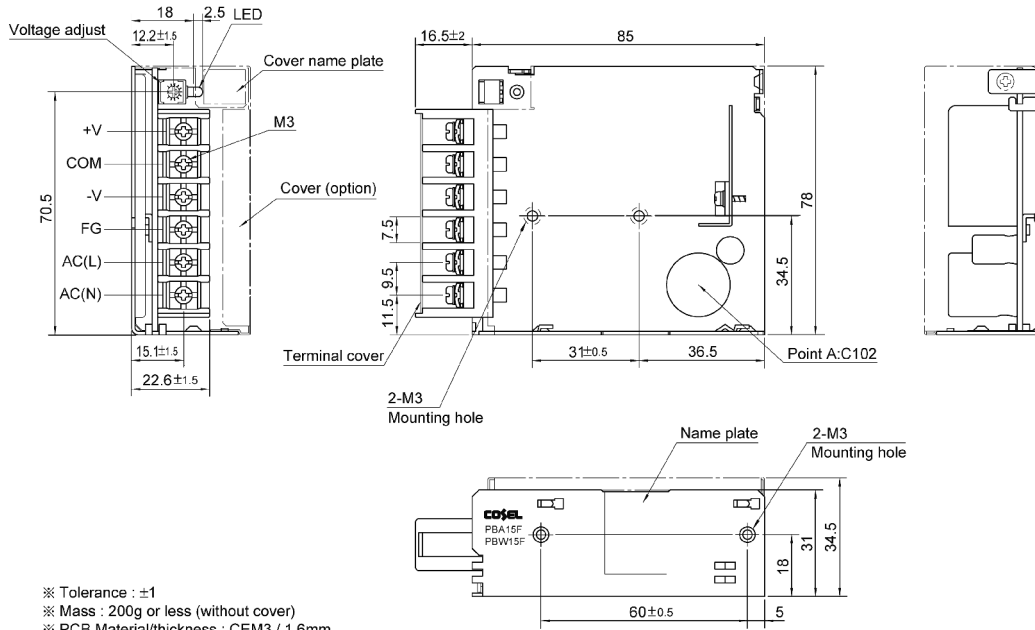
MODEL NUMBER	OUTPUT VOLTAGE	OUTPUT CURRENT	RIPPLE & NOISE	MAX POWER
PBB20C-D12F	+/-12V (+24V)	0.7A	150mVp-p	15W
PBB20C-D15F	+/-15V (+30V)	0.5A	150mVp-p	15W
PBB20C-D5H	+/-5V (+10V)	1.5A	250mVp-p	30W
PBB20C-D12H	+/-12V (+24V)	1.3A	150mVp-p	30W
PBB20C-D15H	+/-15V (+30V)	1.0A	150mVp-p	30W
PBB20C-D5J	+/-5V (+10V)	3.0A	250mVp-p	50W
PBB20C-D12J	+/-12V (+24V)	2.1A	150mVp-p	50W
PBB20C-D15J	+/-15V (+30V)	1.7A	150mVp-p	50W

PBB20C-D Series

15-50W - AC/DC DUAL OUTPUT

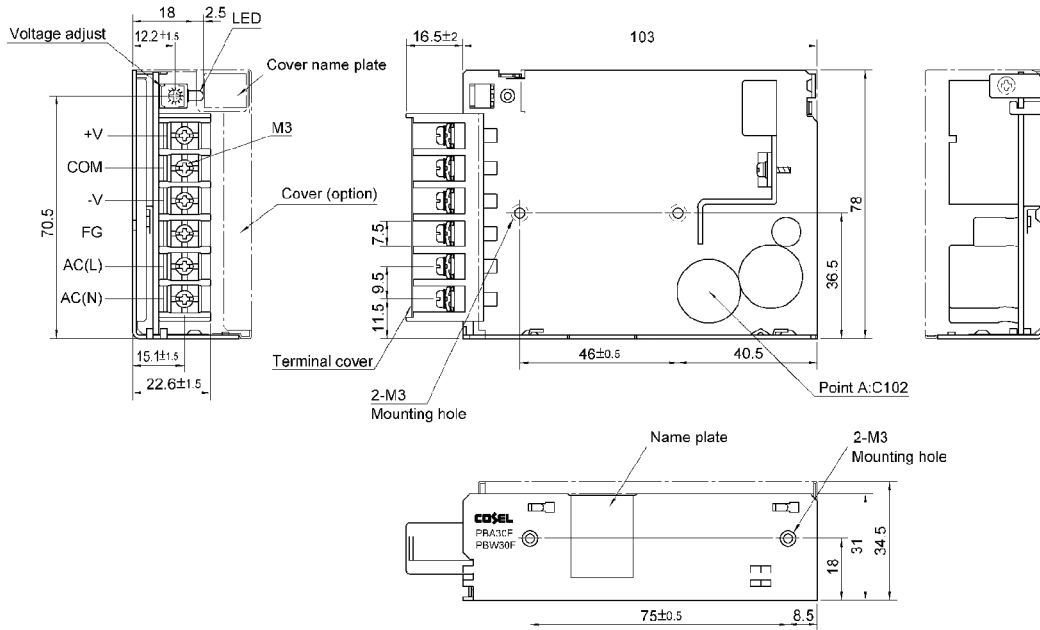
TECHNICAL ILLUSTRATIONS

PBB20C-DF



- ※ Tolerance : ±1
- ※ Mass : 200g or less (without cover)
- ※ PCB Material/thickness : CEM3 / 1.6mm
- ※ Chassis material : Electric galvanizing steel board
- ※ Dimensions in mm
- ※ Mounting torque : 0.6N · m(6.3kgf · cm)max
- ※ Screw tightening torque : M3 0.8N · m(8.5kgf · cm)max
- ※ Please connect safety ground to the unit in 2-M3 holes.

PBB20C-DH



OPEN FRAME & ENCLOSED

PBB20C-D Series

15-50W- AC/DC DUAL OUTPUT

OPEN FRAME & ENCLOSED

PBB20C-DJ

