

PLEASE CHECK WWW.MOLEX.COM FOR LATEST PART INFORMATION

Part Number: [03-12-1121](#)
Status: **Active**
Description: 3.18mm Diameter, HCS125, Pin and Socket Receptacle Housing, 12 Circuits, 3 Row, with Panel Mount Ears

Documents:

[3D Model](#) [RoHS Certificate of Compliance \(PDF\)](#)
[Drawing \(PDF\)](#)

Agency Certification

UL E29179

General

Product Family Crimp Housings
 Series [2201](#)
 Application Power, Wire-to-Wire
 Product Name HCS-125
 UPC 800754942553

Physical

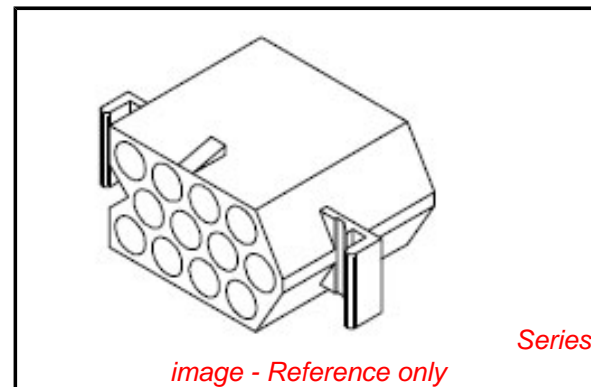
Circuits (maximum) 12
 Color - Resin Natural
 Flammability 94V-2
 Gender Dual
 Glow-Wire Compliant No
 Material - Resin Nylon
 Net Weight 7.786/g
 Number of Rows 3
 Packaging Type Bag
 Panel Mount Yes
 Pitch - Mating Interface 6.60mm
 Stackable No
 Temperature Range - Operating -40°C to +105°C

Material Info

Old Part Number 2201-R

Reference - Drawing Numbers

Sales Drawing SD-2201-*



EU RoHS

ELV and RoHS Compliant
REACH SVHC Contains SVHC: No
Low-Halogen Status Low-Halogen

China RoHS



Need more information on product environmental compliance?

Email productcompliance@molex.com
 For a multiple part number RoHS Certificate of Compliance, [click here](#)

Please visit the [Contact Us](#) section for any non-product compliance questions.

Search Parts in this Series

[2201Series](#)

Mates With

[2201p](#)

Use With

[8947](#) , [1900](#) male crimp terminals, [1901](#) , [2046](#) , [2047](#) , [42546](#) , [42547](#) , [42554](#) , [42555](#) , [8946](#)