



Data Sheet



Product Category: Filters

| Series Number | Package      | Description  | Last Modified |
|---------------|--------------|--------------|---------------|
| 753           | Ceramic Trap | For TV / VCR | Jan. 01 2007  |

## Filter FEATURES

- Wide bandwidth
- Low insertion loss ceramic trap
- Excellent spurious suppression characteristics
- TV SIF stage use
- RoHS Compliant



## OPERATING CONDITIONS / ELECTRICAL CHARACTERISTICS / PART NUMBER GUIDE

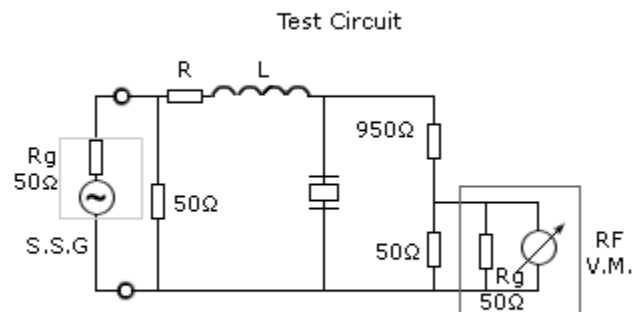
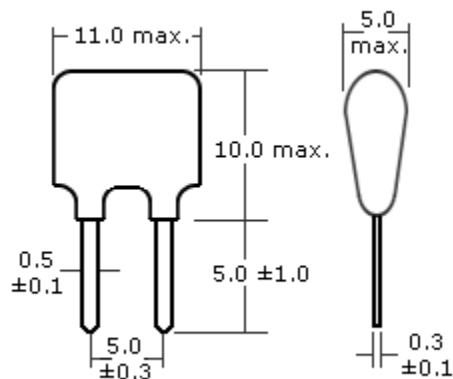
| Part Number  | Type | Frequency (fn1) | Attenuation (at fn1) | Matching Impedance (R/L) |
|--------------|------|-----------------|----------------------|--------------------------|
|              |      | MHz             | dB min.              | ohm / nH                 |
| 753-39.5M-A  | XT/A | 39.50 ±100KHz   | 130                  | 33/220                   |
| 753-39.75M-A | XT/A | 39.75 ±100KHz   | 130                  | 20/-                     |
| 753-40.4M-A  | XT/A | 40.40 ±100KHz   | 130                  | 33/220                   |
| 753-40.7M-A  | XT/A | 40.70 ±100KHz   | 130                  | 33/220                   |
| 753-41.5M-A  | XT/A | 41.50 ±100KHz   | 130                  | 33/220                   |
| 753-47.25M-A | XT/A | 47.25 ±100KHz   | 130                  | 27/180                   |

**REFERENCE:** The level at 1MHz shall be made for a reference (0dB)

**NOTE:** Deviations on all parameters available. Please consult Oscilent for details.

**DEFINITIONS:** Click on the characteristic names above, for definitions of the particular characteristic.

## PACKAGE DIMENSIONS (mm)



**Oscilent Corporation** - CALL **949.252.0522**  
 18195 East McDermott Street . Building D . Irvine . CA 92614 . USA  
 Fax: 949.252.0599 . E-Mail: Sales@Oscilent.com

Series No.: 753

