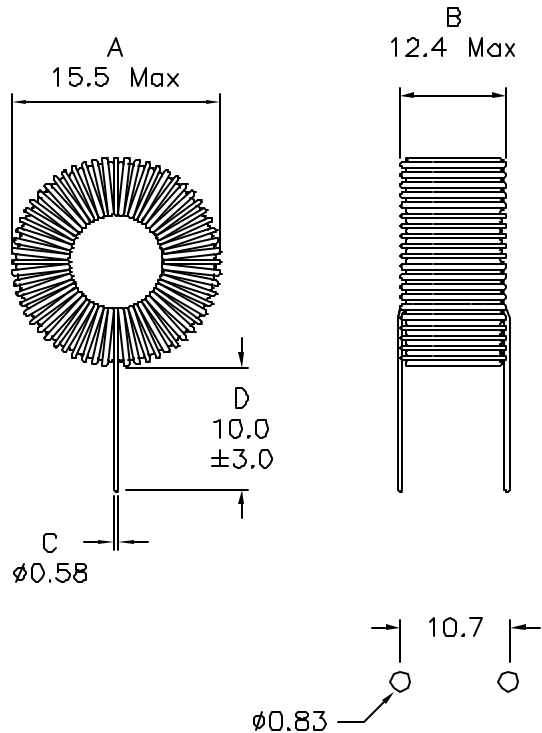
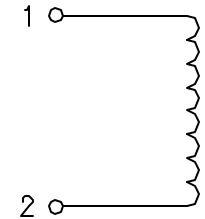


**1. Mechanical Dimensions:**



**2. Schematic:**



**3. Electrical Specifications:**

Inductance: 100uH±20% @100KHz,0.25V  
 DC Resistance: 0.106 Ohms Max  
 Isat: 2.4A<sub>dc</sub>  
 Volt-uS: 27.5  
 Energy Storage: 197uJ

**Notes:**

1. Solderability: Leads shall meet MIL-STD-202G, Method 208H for solderability.
2. Flammability: UL94V-0
3. ASTM oxygen index: > 28%
4. Insulation System: Class F 155°C. UL file E151556
5. Operating Temperature Range: All listed parameters are to be within tolerance from -40°C to +85°C
6. Storage Temperature Range: -55°C to +125°C
7. Aqueous wash compatible
8. Electrical and mechanical specifications 100% tested
9. RoHS Compliant Component
10. Operating Temperature Range: -40°C to +85°C
11. Tinned length is the same as the lead length.
12. Do not epoxy leads to core.

DOC. REV. A/2

**PROPRIETARY**

Document is the property of XFMRs Group & is not allowed to be duplicated without authorization.

<b>XFMRs Inc.</b> www.XFMRs.com		Title: TOROIDAL INDUCTOR	
UNLESS OTHERWISE SPECIFIED TOLERANCES: .xxx ±0.25 Dimensions in MM	P/N: XF1006-V052	REV. A	
	DWN.	廖玉坤	May-17-07
SHEET 1 OF 1	CHK.	李清儿	May-17-07
	APP.	BW	May-17-07