

FCI CONFIDENTIAL



This document is the property of and embodies CONFIDENTIAL and PROPRIETARY information of FCI. No part of the information shown on this document may be used in any way or disclosed to others without the written consent of FCI. Copyright FCI.

PRODUCT NUMBER
20020107-XXX1A01LF

20020107 - [] [] [] 1 A 0 1 L F

PITCH

C: 3.50 mm
D: 3.81 mm
G: 5.00 mm
H: 5.08 mm

POLES

02: 2 POLES
03: 3 POLES
04: 4 POLES
24: 24 POLES

LF: DENOTED RoHS COMPATIBLE

PROPERTY TABLE

FCI SERIES NAME	06-350	06-381	06-500	06-508
PITCH (mm)	3.50	3.81	5.00	5.08
VOLTAGE RATING (VAC)	300	300	300	300
CURRENT RATING (A)	10	10	12	12
WITHSTANDING VOLTAGE (kV)	1.6	1.6	1.6	1.6
OPERATING TEMP. (°C)	-40~+115	-40~+115	-40~+115	-40~+115
SOLDERING TEMP. (°C)	250±10 (5 sec.)	250±10 (5 sec.)	250±10 (5 sec.)	250±10 (5 sec.)
POLES AVAILABLE	02~24	02~24	02~24	02~24
SAFETY CERTIFICATE				

NOTES:

- MATERIALS**
1-1 HOUSING: THERMALPLASTIC RESIN, UL 94V-0 RATED, COLOR GREEN.
1-2 TERMINAL: COPPER, TIN PLATED.
- PRODUCT SPECIFICATION REFER TO FCI GS-12-625.
- BOXED PACKAGING,
DETAILED PRODUCT PACKING SPECIFICATION REFER TO FCI GS-14-1394.
- FCI, SAFETY CERTIFICATE LOGO AND SERIES NAME TO BE SHOWN ON PRODUCT SURFACE.
- THE PRODUCTS WHERE THE PART NUMBER END IN "LF" MEET THE EUROPEAN UNION DIRECTIVE AND OTHER COUNTRY REGULATIONS AS DESCRIBED IN GS-22-008.
- RECOMENDED SOLDERING PROCESS BY WAVE SOLDER.

		rev	ecn no	dr	date	
TOLERANCES UNLESS OTHERWISE SPECIFIED		A	DG09-0203	BF	062509	
		B	T09-1148	BF	111709	
		C	T09-1152	BF	112609	
LINEAR	X.	±0.5	D	T10-0042	WL	030310
	X.X	±0.30	-	-	-	-
	X.XX	±0.10	-	-	-	-
ANGULAR	X'	±1'	-	-	-	-

Material		Spec ref *	
Mat code		tolerance	projection
Heattreat	✓		
Plating/Finish		size	Scale
Dr	BEER FU 062509		
Eng	BEER FU 062509	Product family	
Chr	GARY HSIEH 062509	Model Name	
Appr	JOSEPH HSIA 062509	Model Revision	
		ECN T10-0042	
		REL Level RELEASED	
	title	dwg no	Rev.
	TERMINAL BLOCK	20020107	D
	Pluggable socket, straight		
Pro/E file	catalog no	CUSTOMER	sheet 1 of 5

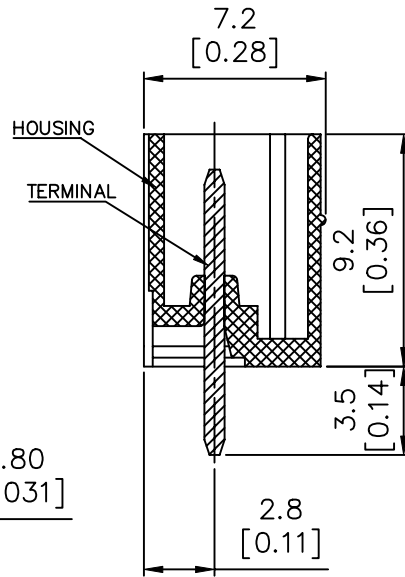
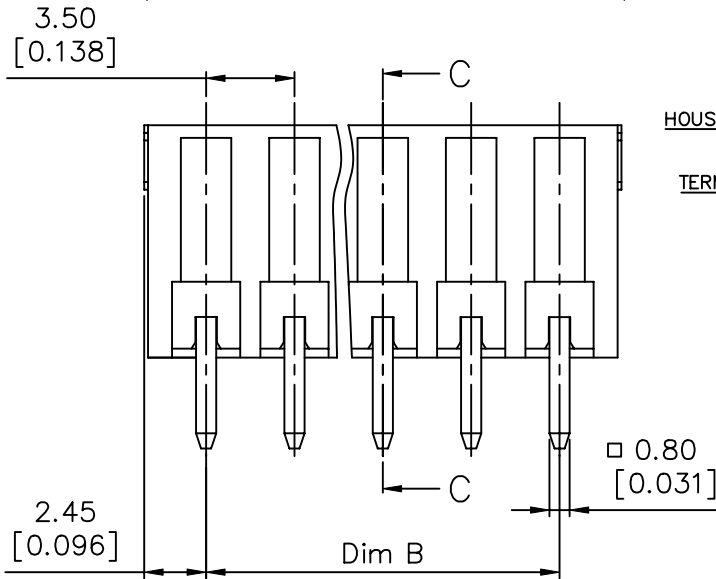
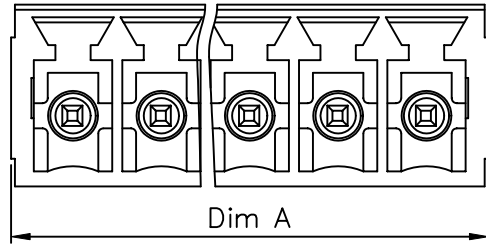
REV: 2008-04-17

FCI CONFIDENTIAL



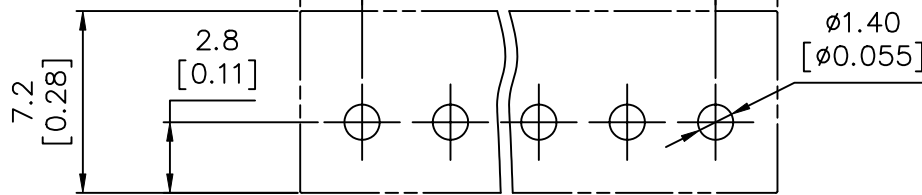
This document is the property of and embodies CONFIDENTIAL and PROPRIETARY information of FCI. No part of the information shown on this document may be used in any way or disclosed to others without the written consent of FCI. Copyright FCI.

PRODUCT NUMBER	SERIES NAME	PITCH
20020107-CXX1A01LF	06-350	3.50 mm



N = Number of poles
 Dim A = Dim B + 4.9 [0.193]
 Dim B = (N - 1) x 3.5 [0.138]

TOL.	Dim A	Dim B
2-6p	±0.15 [0.006]	
7-12p	±0.20 [0.008]	
13-18p	±0.25 [0.010]	
19-24p	±0.30 [0.012]	



RECOMMENDED PCB LAYOUT

Material		Spec ref		
Mat code		✓	tolerance	projection
Heattreat				MM
Plating/Finish			⊕	← MM →
Dr	BEER FU 062509		size	A4
Eng	BEER FU 062509	Product family		Scale
Chr	GARY HSIEH 062509	Model Name		ECN T10-0042
Appr	JOSEPH HSIA 062509	Model Revision		REL Level RELEASED
		title		dwg no
		TERMINAL BLOCK		20020107
		Pluggable socket, straight		Rev. D
Pro/E file	catalog no	CUSTOMER		sheet 2 of 5

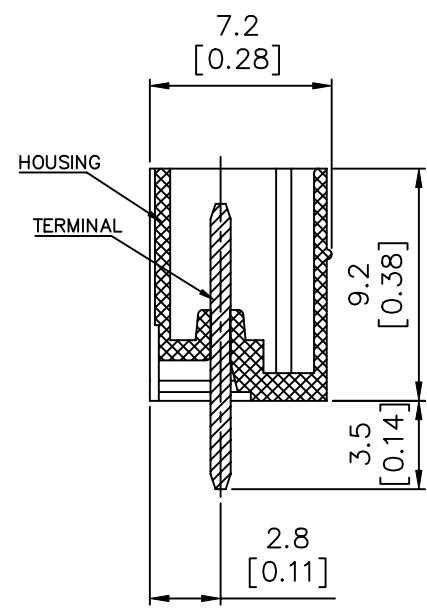
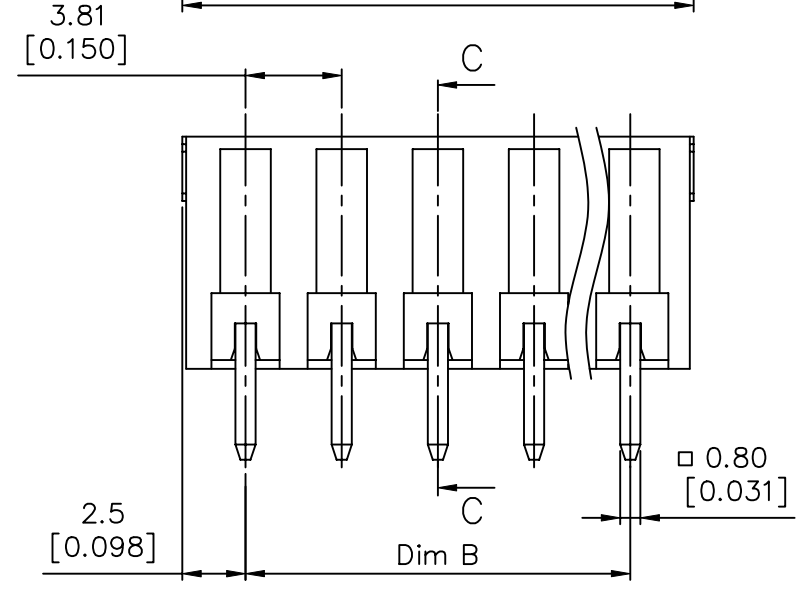
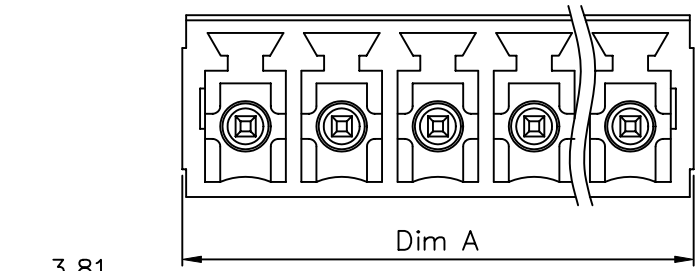
REV: 2008-04-17

FCI CONFIDENTIAL



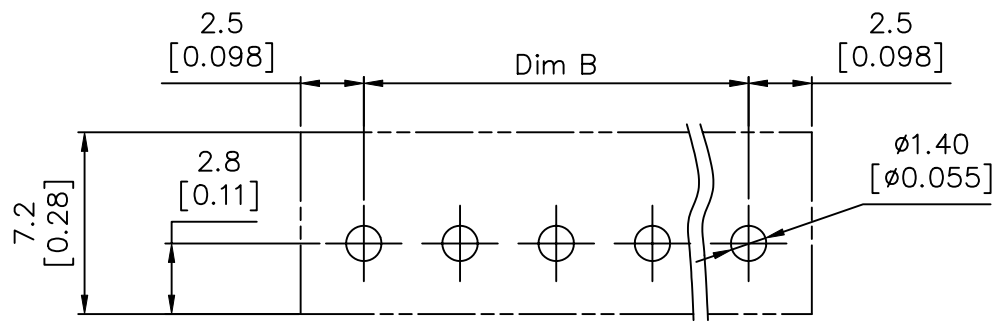
This document is the property of and embodies CONFIDENTIAL and PROPRIETARY information of FCI. No part of the information shown on this document may be used in any way or disclosed to others without the written consent of FCI. Copyright FCI.

PRODUCT NUMBER	SERIES NAME	PITCH
20020107-DXX1A01LF	06-381	3.81 mm



N = Number of poles
 Dim A = Dim B + 5.0 [0.197]
 Dim B = (N - 1) x 3.81 [0.150]

TOL.	Dim A	Dim B
2-6p	±0.15 [0.006]	
7-12p	±0.20 [0.008]	
13-16p	±0.25 [0.010]	
17-24p	±0.30 [0.012]	



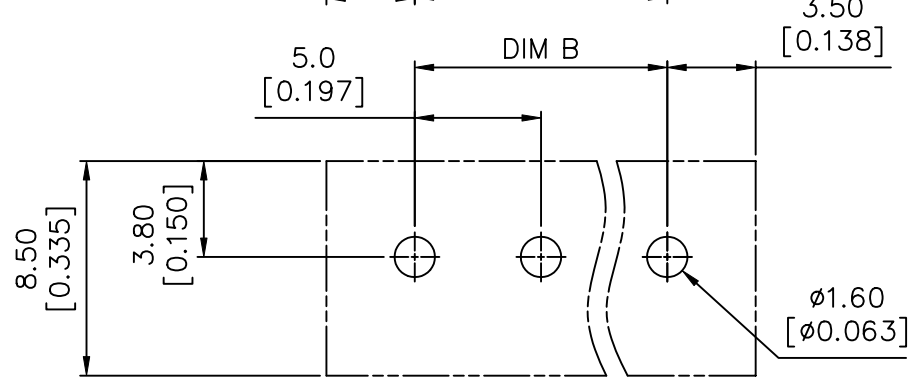
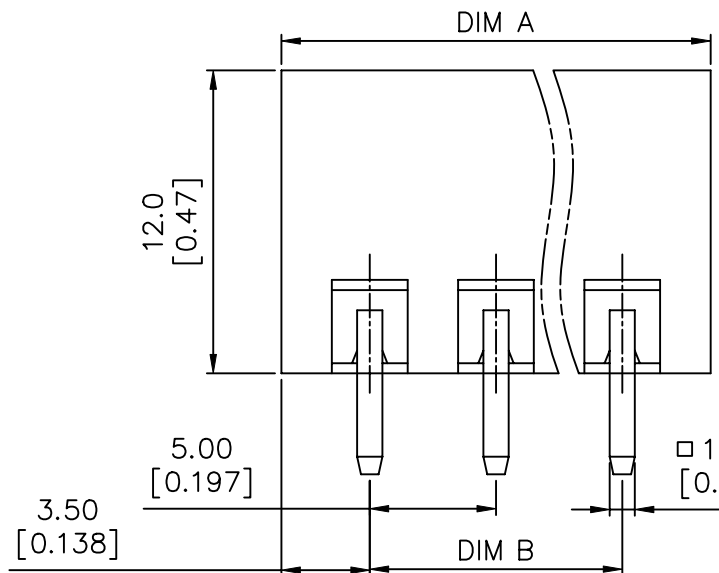
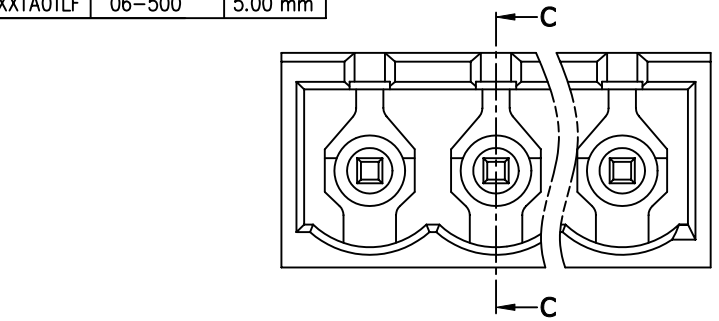
RECOMMENDED PCB LAYOUT

Material		Spec ref		
Mat code		✓	tolerance	projection
Heattreat				MM
Plating/Finish			⊕	← MM →
Dr	BEER FU 062509		size	A4
Eng	BEER FU 062509	Product family		Scale
Chr	GARY HSIEH 062509	Model Name		ECN T10-0042
Appr	JOSEPH HSIA 062509	Model Revision		REL Level RELEASED
FCI title		TERMINAL BLOCK		dwg no
		Pluggable socket, straight		
Pro/E file		catalog no		20020107
		CUSTOMER		Rev. D
		sheet 3 of 5		

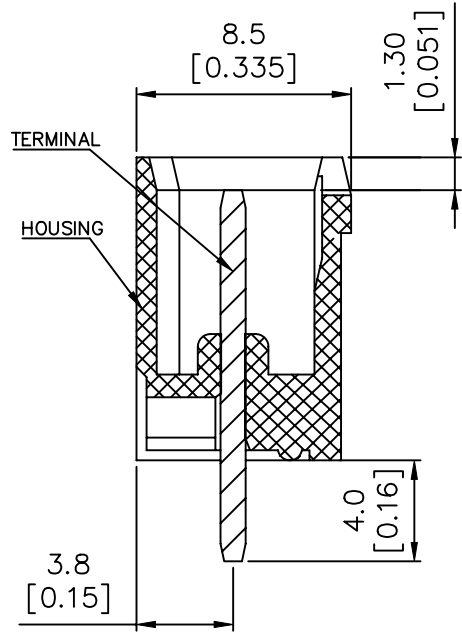
REV: 2008-04-17



PRODUCT NUMBER	SERIES NAME	PITCH
20020107-GXX1A01LF	06-500	5.00 mm



RECOMMENDED PCB LAYOUT



SECTION C-C

N = Number of poles
 Dim A = $N * 5.0 [0.197] + 2.0 [0.193]$
 Dim B = $(N - 1) * 5.0 [0.197]$

TOL.	Dim A	Dim B
2-6p	$\pm 0.15 [0.006]$	
7-12p	$\pm 0.25 [0.010]$	
13-16p	$\pm 0.35 [0.014]$	
17-24p	$\pm 0.40 [0.016]$	

Material		Spec ref		
Mat code		✓	tolerance	projection
Heattreat				MM
Plating/Finish			⊕	←
Dr	BEER FU 062509		size	A4
Eng	BEER FU 062509	Product family		Scale
Chr	GARY HSIEH 062509	Model Name		ECN T10-0042
Appr	JOSEPH HSIA 062509	Model Revision		REL Level RELEASED
		title	20020107	
		Terminal Block		Rev. D
		Pluggable socket, straight		
Pro/E file	catalog no	CUSTOMER		sheet 4 of 5

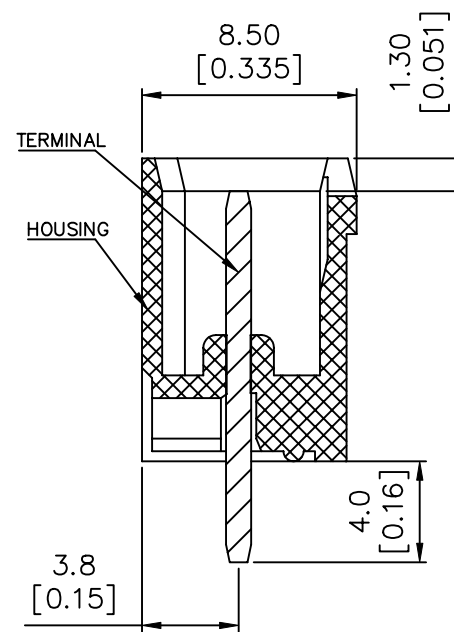
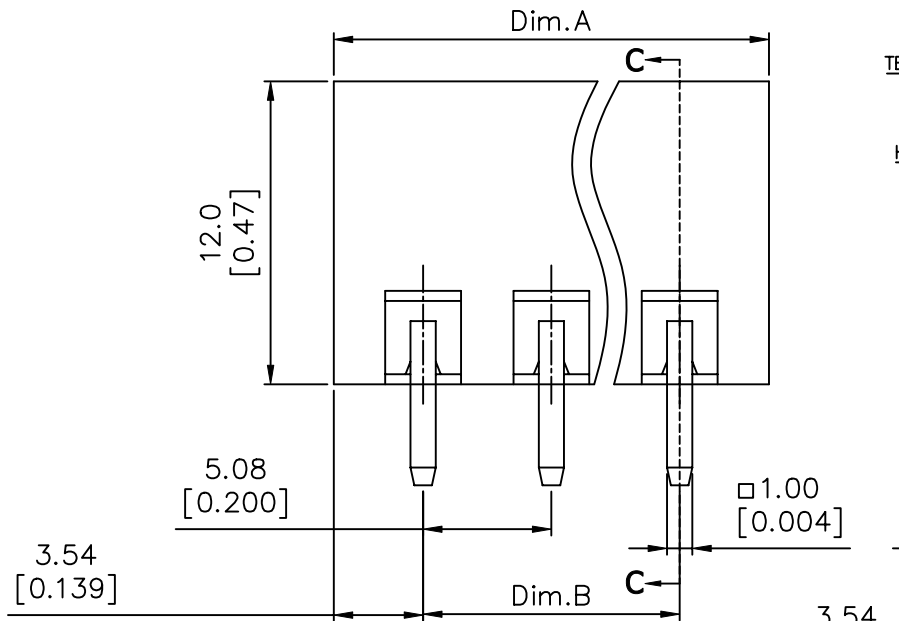
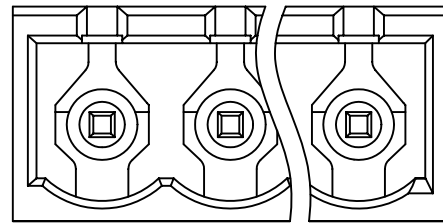
REV: 2008-04-17

FCI CONFIDENTIAL



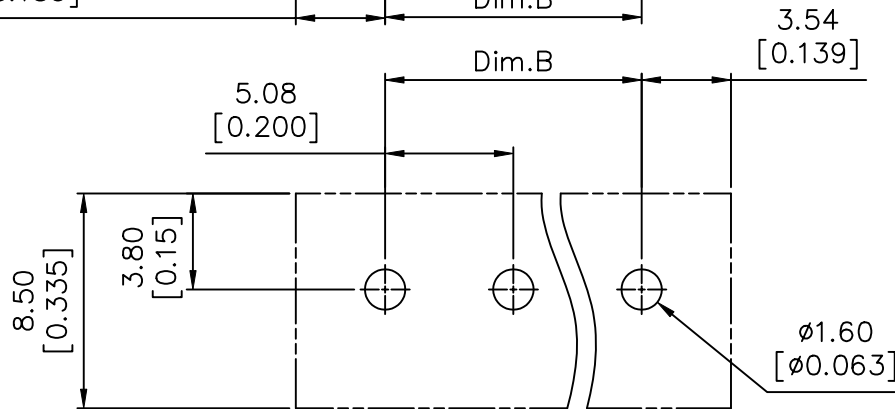
This document is the property of and embodies CONFIDENTIAL and PROPRIETARY information of FCI. No part of the information shown on this document may be used in any way or disclosed to others without the written consent of FCI. Copyright FCI.

PRODUCT NUMBER	SERIES NAME	PITCH
20020107-HXX1A01LF	06-508	5.08 mm



N = Number of poles
 Dim A = $N * 5.08 [0.200] + 2.0 [0.193]$
 Dim B = $(N - 1) * 5.08 [0.200]$

TOL.	Dim A	Dim B
2-6p	$\pm 0.15 [0.006]$	
7-12p	$\pm 0.25 [0.010]$	
13-18p	$\pm 0.35 [0.014]$	
19-24p	$\pm 0.40 [0.016]$	



RECOMMENDED PCB LAYOUT

Material		Spec ref		
Mat code		✓	tolerance	projection
Heattreat				MM
Plating/Finish				←
Dr	BEER FU 062509		size	A4
Eng	BEER FU 062509	Product family		Scale
Chr	GARY HSIEH 062509	Model Name		ECN T10-0042
Appr	JOSEPH HSIA 062509	Model Revision		REL Level RELEASED
		title		TERMINAL BLOCK
		title		Pluggable socket, straight
Pro/E file		catalog no	dwg no	20020107
		CUSTOMER		sheet 5 of 5
		Rev.		D

REV: 2008-04-17