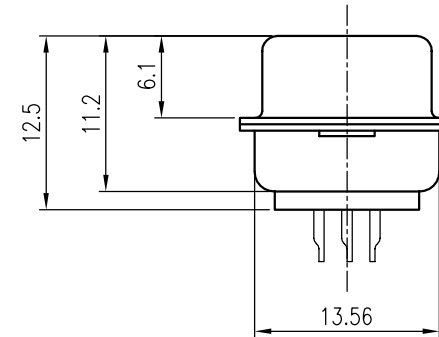
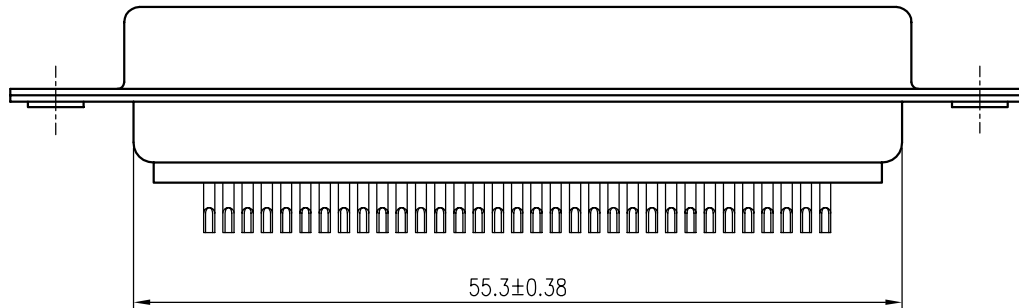
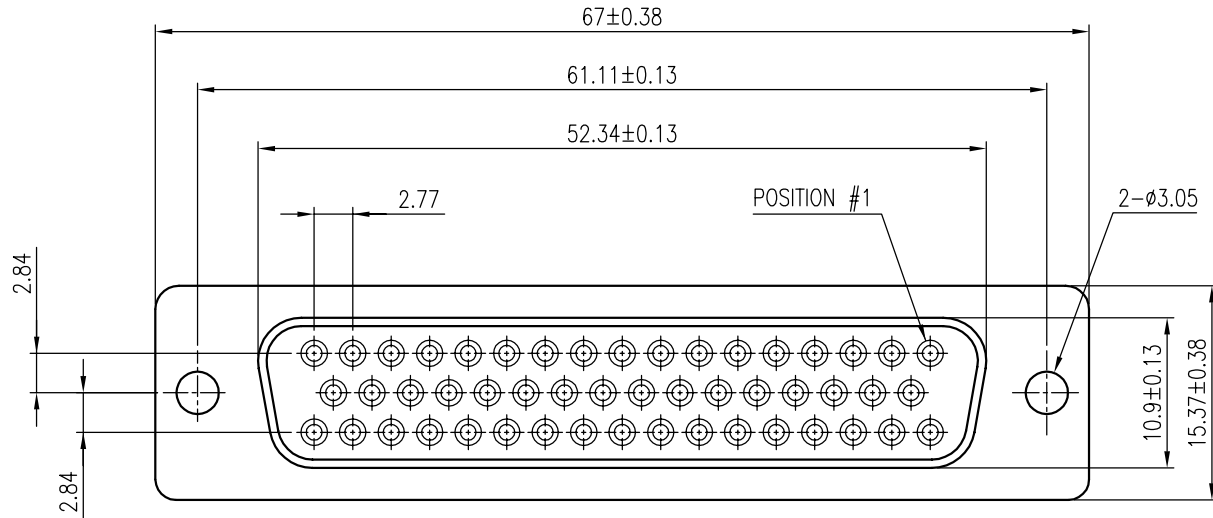


This document is the property of Amphenol Corporation and is delivered on the express condition that it is not to be disclosed, reproduced or used, in whole or in part, for manufacture or sale by anyone other than Amphenol Corporation without its prior consent, and that no right is granted to disclose or to use any information in this document.

CUSTOMER DRAWING ORIGINAL

REVISIONS				
SYM	ECN No.	DESCRIPTION	DATE	APPROVED
A		RELEASE FOR RoHS	09/09/2005	Henry Ko



NOTES:

- FRONT & REAR SHELL FINISH: SELECTIVE PLATED
- CONTACTS FINISH: SELECTIVE PLATED
- INSULATOR: PBT, GLASS FIBER FILLED, UL94 V-0, COLOR- BLACK
- THIS PRODUCT DOESN'T CONTAIN ENVIRONMENTAL HAZARDOUS MATERIALS PER DIRECTIVE 2002/95/EC FOR RoHS.

TOLERANCE m/m	APPROVALS	DATE	TITLE		Amphenol® Amphenol Corporation Amphenol East Asia Limited	
x. ± 0.30	DRAWN Sondra Sang	09/09/05 <input type="checkbox"/>	G17S SERIES D-SUB RECEPTACLE SOLDER-POT 50 POSITIONS		SCALE N.A. SHEET 1 OF 1	
x.x ± 0.25	CHECKED <input type="checkbox"/> Laura Su	09/09/05 <input type="checkbox"/>			DRAWING NO. DSUB-G17S500XXX0EU-25	
x.xx ± 0.15	APPROVED <input type="checkbox"/> Alex Lin	09/09/05 <input type="checkbox"/>			REV. A	
x.xxx ± 0.08			SIZE A4	PART NO. G17S 500X XX0 EU		
ANGULAR $\pm 2^\circ$			UNIT MM			
UNLESS OTHERWISE SPECIFIED						