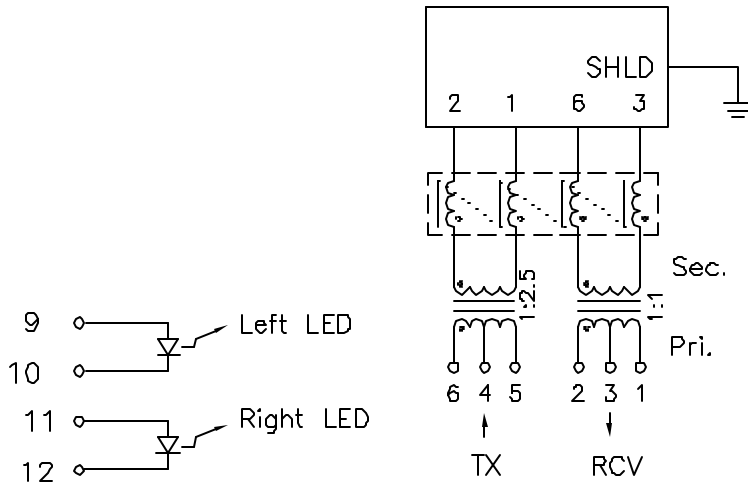


# 1. Schematic:



# 2. Electrical Specification: @25°

- Isolation: 1500 Vrms 0.5mA 2Sec (Pri to Sec)
- Isolation: 500 Vrms 0.5mA 2sec (TX to RCV)
- Turns Ratio: 1CT:2.5 ±2% (TX) 1CT:1 ±2% (RCV) (Pri : Sec)
- PRI OCL: 140uH Min @100KHz 50mV (TX&RCV)
- Cw/w: 15pF Maximum @100KHz 50mV
- PRI LL: 0.30uH Maximum @100KHz 50mV (SEC Shorted)
- PRI DCR: 0.350 Ohms Maximum
- CMR CHOKE OCL: 18uH Typical @100KHz 50mV

Complete the Combo P/N as follows:

Replace 'x' & 'u' in the part number with one of the LED color letters:

Y=Yellow  
G=Green  
A=Amber  
R=Red

'x' = Left LED Color  
'u' = Right LED Color

C=Green(1)/Amber(2) Bicolor  
D=Amber(1)/Green(2) Bicolor  
M=Green(1)/Yellow(2) Bicolor  
N=Yellow(1)/Green(2) Bicolor  
P=Red(1)/Green(2) Bicolor  
Q=Green(1)/Red(2) Bicolor  
E=Red(1)/Yellow(2) Bicolor  
F=Yellow(1)/Red(2) Bicolor  
H=Amber(1)/Yellow(2) Bicolor  
J=Green(1)/Green(2) Bicolor

Single Color LED: Bi-Color LED:

DOC. REV: A/1

Notes:

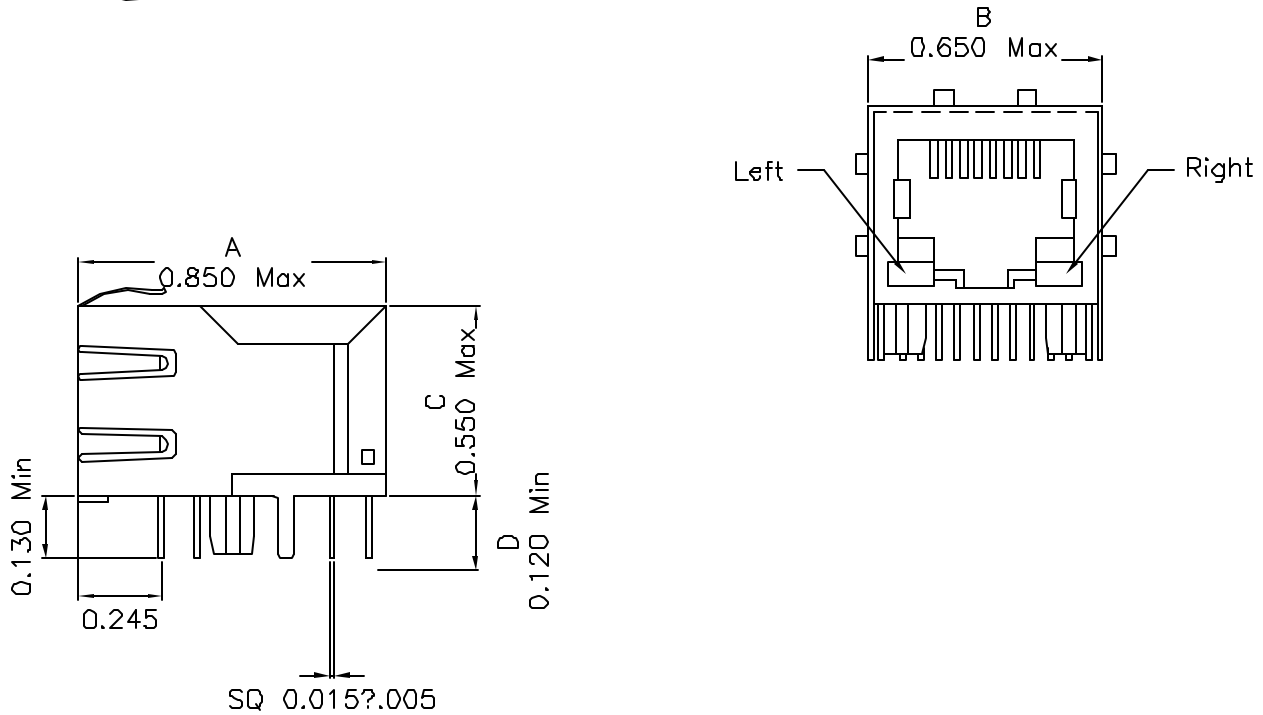
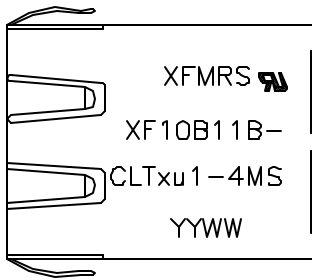
1. Solderability: Leads shall meet MIL-STD-202G, Method 208H for solderability.
2. Flammability: UL94V-0
3. ASTM oxygen index: > 28%
4. Insulation System: Class F 155°C. UL file E151556
5. Operating Temperature Range: All listed parameters are to be within tolerance from -40°C to +85°C
6. Storage Temperature Range: -55°C to +125°C
7. Aqueous wash compatible
8. Electrical and mechanical specifications 100% tested
9. RoHS Compliant Component

<b>XFMRS Inc</b> www.XFMRS.com	Title: SINGLE PORT COMBO w LEDs		
	UNLESS OTHERWISE SPECIFIED	P/N: XF10B11B-CLTxu1-4MS	REV. A
TOLERANCES: .xxx ±0.010	DWN.	廖玉坤	Aug-17-06
Dimensions in Inch	CHK.	李清儿	Aug-17-06
SCALE 1.5:1 SHT 1 OF 1	APP.	MS	Aug-17-06

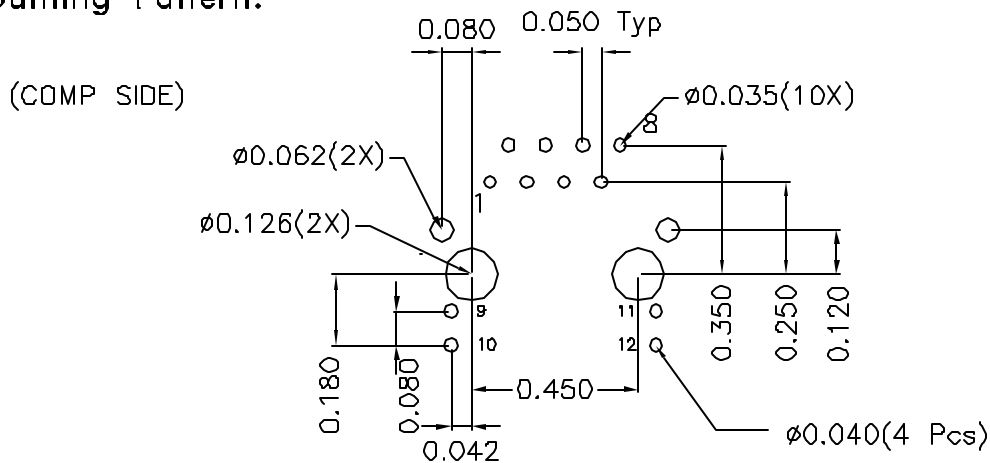
## PROPRIETARY:

Document is the property of XFMRS Group & is not allowed to be duplicated without authorization.

### 3. Mechanical Dimensions:



### Mounting Pattern:



<b>XFMR5 Inc</b> www.XFMR5.com	Title: Mechanical Dimensions		
	UNLESS OTHERWISE SPECIFIED	P/N: XF10B11B-CLTxu1-4MS	REV. A
TOLERANCES:	DWN.	Juan Mao	Aug-17-06
.xxx ±0.010	CHK.	YK Liao	Aug-17-06
Dimensions in Inch	APP.	MS	Aug-17-06
SHEET 2 OF 2			

DOC. REV: A/1

**PROPRIETARY:**

Document is the property of XFMR5 Group & is not allowed to be duplicated without authorization.