

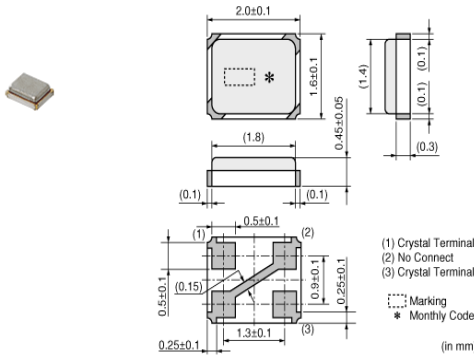
XRCPB27M120FAN00R0

In Production RoHS REACH

< List of part numbers with package codes >

XRCPB27M120FAN00R0

Appearance & Shape



Features

The crystal unit that realized small package and highly accurate frequency.
Based on Murata's excellent package technology and high grade quartz crystal elements, achieving small size and high accuracy resonators.

Features

1. The series is available in the applications to be necessary for high accuracy resonator. Especially, it is the best for the communication clocks such as S-ATA and USB2.0.
2. The resonator is extremely small size (2.0 x 1.6 x 0.7 (mm)), and contribute to reduction in mounting area.
3. The series complies to RoHS directive, being lead-free (phase 3).

Applications

Other Usage	Consumer
-------------	----------

Packaging Information

Packaging	Specifications	Minimum Order Quantity
R0	180mm Plastic Tape	3000

Attention

1. This datasheet is downloaded from the website of Murata Manufacturing Co., Ltd. Therefore, its specifications are subject to change or our products may be discontinued without advance notice. Please check with our sales representatives or product engineers before ordering.
2. This datasheet has only typical specifications because there is no space for detailed specifications.
Therefore, please review our product specifications or consult the approval sheet for product specifications before ordering.

XRCPB27M120FAN00R0

Specifications

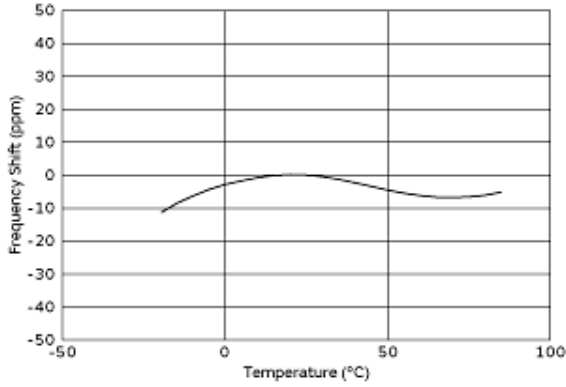
Shape	SMD
Frequency	27.1200MHz
Frequency Tolerance	±25ppmmax. (25±3°C)
Operating Temperature Range	-10°C to 70°C
Frequency Shift by Temperature	±25ppmmax.
Frequency Aging	±5ppmmax./year
Wash	Not available
Load Capacitance	6pF
Equivalent Series Resistance(Max.)	150Ω
Drive Level(Max.)	300μW

Attention

1.This datasheet is downloaded from the website of Murata Manufacturing Co., Ltd. Therefore, it's specifications are subject to change or our products may be discontinued without advance notice. Please check with our sales representatives or product engineers before ordering.
2.This datasheet has only typical specifications because there is no space for detailed specifications.
Therefore, please review our product specifications or consult the approval sheet for product specifications before ordering.

XRCPB27M120FAN00R0

Product Data



Temperature Characteristics

Attention

1. This datasheet is downloaded from the website of Murata Manufacturing Co., Ltd. Therefore, its specifications are subject to change or our products may be discontinued without advance notice. Please check with our sales representatives or product engineers before ordering.
2. This datasheet has only typical specifications because there is no space for detailed specifications.
Therefore, please review our product specifications or consult the approval sheet for product specifications before ordering.