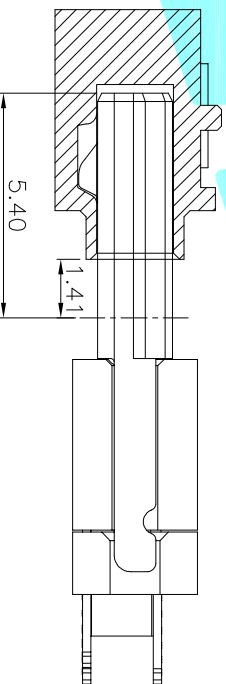
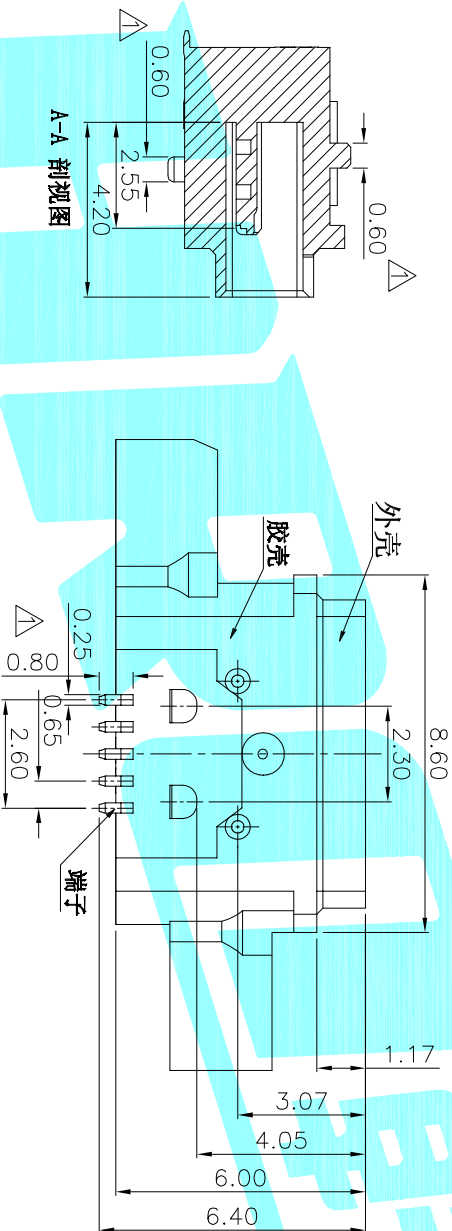
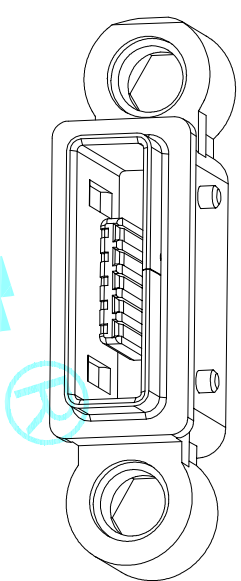
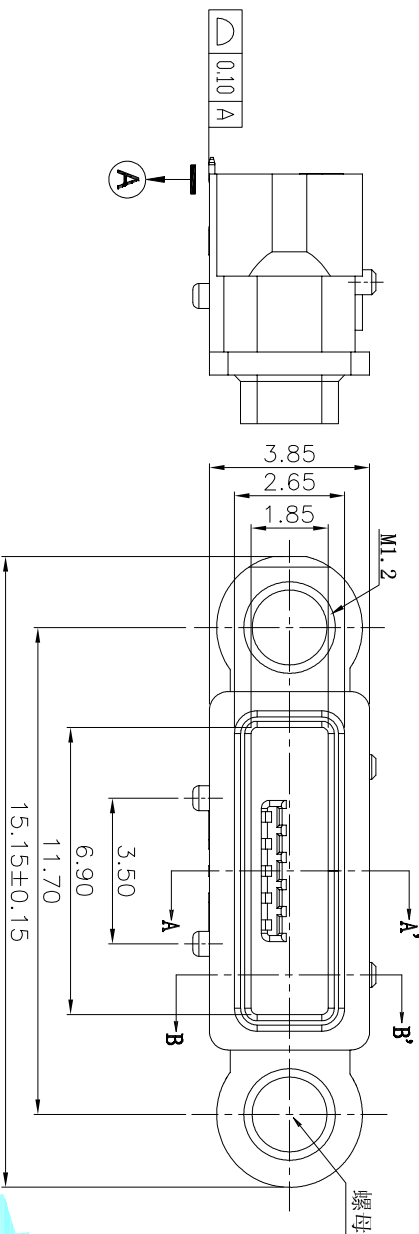
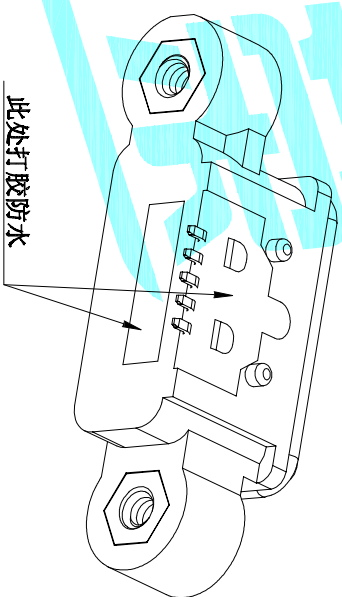


防水等级: IPX7



B-B 剖视图

配合示意图



3D示意图

- Specifications
1. Rating : DC 30V 0.5A
 2. Dielectric withstanding:100V(AC) for 1min
 3. Contact Resistance : 50mΩMax
 4. Insulation Resistance: 100MΩ Min
 5. Operating Temperature Range: -25°C+80°C
 6. Operating Force : 8-30N
 7. Operating Life : 5,000Cycles

③	Shell	—	1	SUS	Natural	—
②	Contact	—	5	Copper Alloy	Au Plated	—
①	Housing	—	1	LCP	Black	—
ITEM	PART NAME	TER'NO.	QTY.	MATERIAL	FINISHING	REMARK

APPROVALS		DATE	ELECTRONICS CO.,LTD			
DRAWN	JKUN.LU	2014/9/29				

CHECKED		TITLE:		防水USB CONNECTOR		
APPROVALS		PART NO.	U-E-MSSS-Y-1			
TOLERANCES ARE		30~以上 ±0.30	ANGLE	UNIT: mm	SCALE: 1:1	PROJ: ①
		10~30 ±0.25				
		5~10 ±0.20	±2'	DRAWING NO.		SHEET 1 OF 1
		~5 ±0.15				
ECN NO.	REV.	DATE.	DESCRIPTION.	CHANGE.	CHECK.	APPRO.
	B		NEW			
	A					