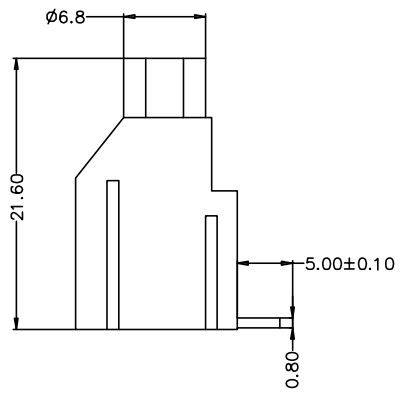
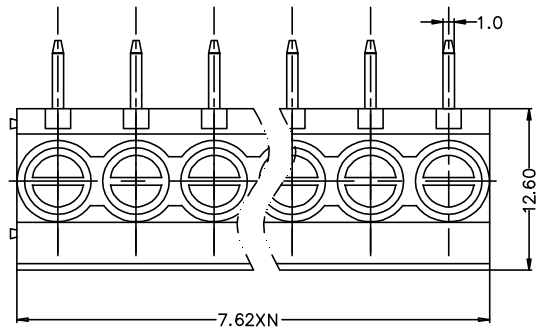
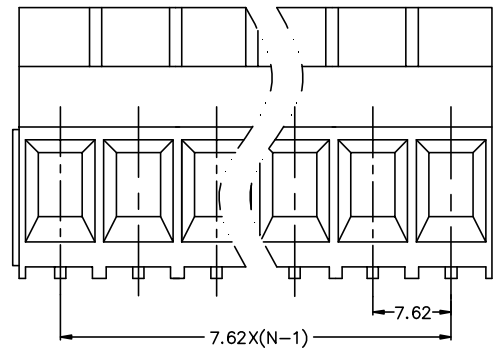
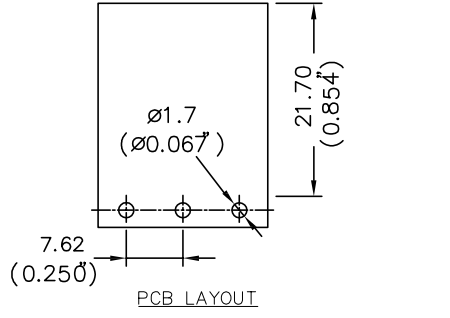


| linear dimension(Tolerances Standard GB/T 14486-2008) |       |              |               |               |                |                 |             | —     |                |             |
|---|-------|--------------|---------------|---------------|----------------|-----------------|-------------|-------|----------------|-------------|
| variable range  | to 6  | over 6 to 10 | over 10 to 30 | over 30 to 60 | over 60 to 100 | over 100 to 160 | over 160 to | to 10 | over 10 to 100 | over 100 to |
| tolerance   | ±0.20 | ±0.30        | ±0.50         | ±0.70         | ±1.00          | ±1.30           | ±1.60       | 0.10  | 0.30           | 0.60        |



| UL/CUL 技术参数           |                                 |                  |     |      |
|-----------------------|---------------------------------|------------------|-----|------|
| UL/CUL Technical Data |                                 |                  |     |      |
| 等级                    | Use Group                       | B                | C   | D    |
| 额定电压                  | Rated Voltage [V]               | 300              | -   | 300  |
| 额定电流                  | Rated Current [A]               | 30               | -   | 10   |
| 接线范围                  | Wire Range                      | 22-10            |     |      |
| 单/多芯线                 | Solid/Stranded [AWG]            |                  |     |      |
| 耐电压                   | Withstanding Voltage            | 1600V/1Min       |     |      |
| IEC 技术参数              |                                 |                  |     |      |
| IEC Technical Data    |                                 |                  |     |      |
| 过电压类别                 | Overvoltage Category            | III              | III | II   |
| 污染等级                  | Contamination Class             | 3                | 2   | 2    |
| 额定电压                  | Rated Voltage [V]               | 450              | 630 | 1000 |
| 额定电流                  | Rated Current [A]               | 32               | 32  | 32   |
| 额定冲击电压                | Impulse withstand voltagea [KV] | 6                | 6   | 6    |
| 导线截面积                 | Conductor cross section         | 4.0              |     |      |
| 硬质/柔性导线               | Solid/flexible [mm²]            |                  |     |      |
| 材料                    |                                 |                  |     |      |
| 绝缘材料                  | Insulation Material             | PA66             |     |      |
| 阻燃等级                  | Imflamability                   | UL94V-0          |     |      |
| 导体材料                  | Contacto Material               | 铜合金 Copper alloy |     |      |
| 导体表面镀层                | Contactive Coating              | 镀锡 Sn Plated     |     |      |
| 一般参数                  |                                 |                  |     |      |
| 间距                    | Pitch [mm]                      | 7.62             |     |      |
| 极数                    | Poles [P]                       | 02-24            |     |      |
| 剥线长度                  | Stripping Length [mm]           | 6-7              |     |      |
| 螺丝                    | Screw/扭矩 Torque(Max) [N.m]      | M3/0.5           |     |      |
| 工作温度                  | Operating temperatur [°C]       | -40~+105         |     |      |
| 引针尺寸                  | Pin Dimensions [mm]             | 5.0              |     |      |
| PCB板孔径                | PCB Hole Diameter [mm]          | 1.7              |     |      |

DB910R — 7.62 — XXP — C — S/P

(Series No.) (Pitch) (Poles) Slotted/Phillips

(Color) : GN:(Green) , BK:(Black) , BU:(Blue) , RD:(Red) , GY:(Gray)  
OG:(Orange) , WT:(White) , YL:(Yellow) , CR:(Clear)

APPD: JTING Chen 2022.4.6  
CHKD: Duck Mao 2022.4.6  
DRFT: Steven Lu 2022.4.6

**DORABO** 宁波地博电气有限公司  
Ningbo Dorabo Electric CO., Ltd

NAME: DB910R-7.62-XXP-C-S

TYPE: CUSTOMER\_DRAWING

SIZE: A4

SCALE: 1:1

REV: T0-1

SHEET: 1/1