




- Relays **DP6-OC** - with transistor output, rated load up to 0.5 A / 70 V DC
- 35 mm DIN rail mount, EN 50022, wires connection with screw terminals - 0.2...4 mm²
- Adapted for the co-operation with interconnection strip type **ZG20**
- Equipped in LED green
- Recognitions, certificates, directives: 



Transistor - output

Max. switching voltage	DC	70 V
Min. switching voltage	DC	5 V
Rated load	DC1	0.5 A / 70 V DC
Min. switching current		1 mA

Input control circuit

Rated voltage	DC	5...32 V
	AC/DC	24-230 V AC: 50/60 Hz
Turn-off voltage		AC: $\geq 0.2 U_n$ DC: $\geq 0.1 U_n$
Rated power consumption		0.3 W
		0.3 VA / 0.3 W 24 V AC/DC
		1.0 VA / 1.0 W 230 V AC/DC

Insulation

Insulation category	C250
Insulation rated voltage	600 V AC
Rated insulation voltage I/O	3 000 V AC
Insulation pollution degree	2

General data

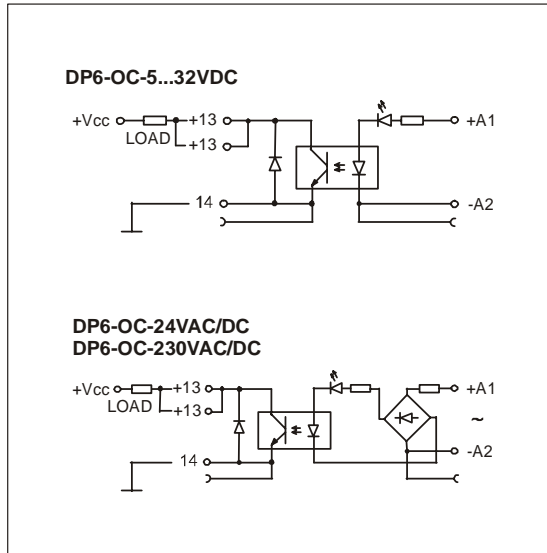
Max. switching frequency	10 kHz	5...32 V DC (for load up to 24 V DC - 15 KHz)
	----	24 V AC/DC
	----	230 V AC/DC
Dimensions (L x W x H)	80 x 6.2 x 93.8 mm	
Weight	40 g	
Ambient temperature		
• storage	-40...+70 °C	
• operating	-40...+55 °C	
Protection category	IP 20	
Environmental protection	RTI IEC 61810-7	

Input data

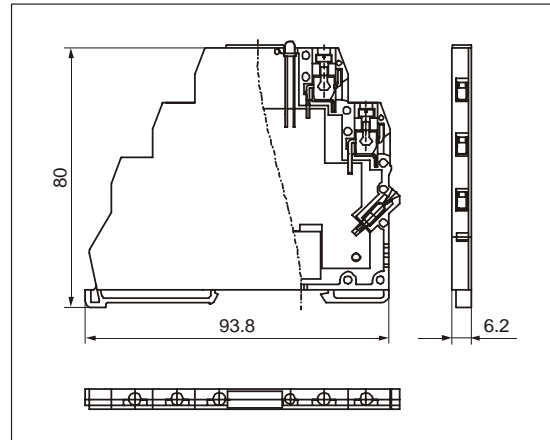
Table 1

Relay code	Nominal input voltage U_n	Power of input - control circuit
DP6-OC-5...32VDC	5...32 V DC	0.3 W at 24 V
DP6-OC-24VAC/DC	24 V AC/DC	0.3 VA / 0.3 W
DP6-OC-230VAC/DC	230 V AC/DC	1.0 VA / 1.0 W

Connection diagrams



Dimensions



Mounting

Relays **DP6-OC** are designed for 35 mm DIN rail mount, EN 50022.

DP6-OC are adapted for the co-operation with interconnection strip type **DG20**. Interconnection strip **DG20** allows to common bridging outputs or inputs. Colours of strips: **DG20-1** red, **DG20-2** black, **DG20-3** blue.

Ordering codes

Ordering codes **DP6-OC** are specified in Table 1, "Relay code" column.

