

**PLEASE CHECK WWW.MOLEX.COM FOR LATEST PART INFORMATION**

**Part Number:** [5601230204](#)  
**Status:** **Active**  
**Overview:** [DuraClik™ Connector System](#)  
**Description:** [DuraClik ISL Wire-to-Board Receptacle Housing, Single Row, Blue, 2 Circuits](#)

**Documents:**

<a href="#">3D Model</a>	<a href="#">Product Specification PS-560123-003-001 (PDF)</a>
<a href="#">Drawing (PDF)</a>	<a href="#">Application Specification AS-560123-001-001 (PDF)</a>
<a href="#">Product Specification 5601230900- PS (PDF)</a>	<a href="#">Packaging Specification 5601230900-PK (PDF)</a>
<a href="#">Product Specification PS-560123-002-001 (PDF)</a>	<a href="#">RoHS Certificate of Compliance (PDF)</a>

**General**

Product Family	Crimp Housings
Series	<a href="#">560123</a>
Application	Signal, Wire-to-Board
Overview	<a href="#">DuraClik™ Connector System</a>
Product Name	DuraClik
UPC	889056616911

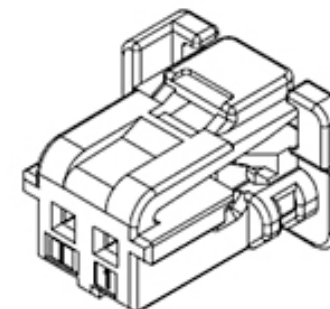
**Physical**

Circuits (maximum)	2
Color - Resin	Blue
Gender	Receptacle
Glow-Wire Compliant	No
Keying to Mating Part	None
Lock to Mating Part	Yes
Material - Resin	PBT
Net Weight	0.186/g
Number of Rows	1
Packaging Type	Tray
Panel Mount	No
Pitch - Mating Interface	2.00mm
Polarized to Mating Part	Yes
Stackable	No
Temperature Range - Operating	-40°C to +125°C

**Material Info**

**Reference - Drawing Numbers**

Application Specification	<a href="#">AS-560123-001-001</a>
Packaging Specification	<a href="#">5601230900-_PK</a>
Product Specification	<a href="#">5601230900-_PS</a> , <a href="#">PS-560123-002-001</a> , <a href="#">PS-560123-003-001</a>
Sales Drawing	<a href="#">SD-560123-001</a>



*Series image - Reference only*

**EU ELV**

**Not Reviewed**

**EU RoHS**

**Compliant**

**REACH SVHC**

Not Contained Per -  
ED/30/2017 (7 July  
2017)

**Halogen-Free**

**Status**

**Not Low-Halogen**

**Need more information on product environmental compliance?**

Email [productcompliance@molex.com](mailto:productcompliance@molex.com)  
Please visit the [Contact Us](#) section for any non-product compliance questions.

China ROHS

ELV

RoHS Phthalates

Green Image

Not Reviewed

Not Contained

**Search Parts in this Series**

[560123](#) Series

**Mates With**

[DuraClik Right-Angle Header 502352](#) <br>  
[DuraClik Vertical Header 560020](#)

**Use With**

[DuraClik ISL Terminal 560124](#) <br>  
[DuraClik ISL Retainer 560125](#)