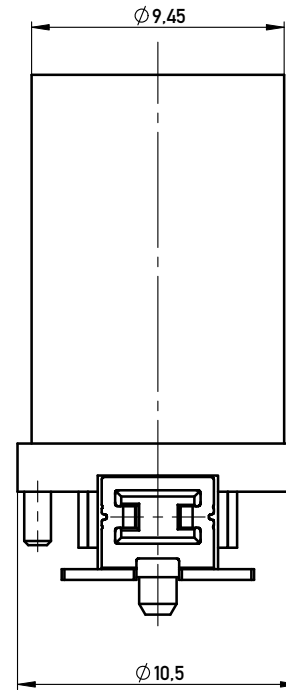
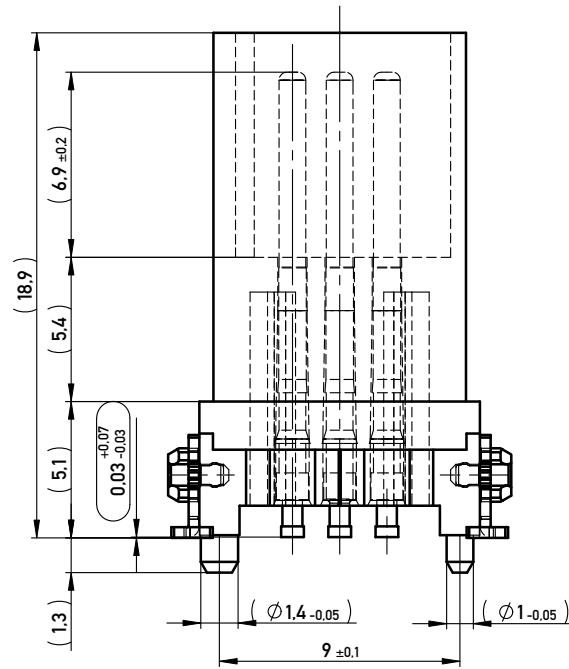
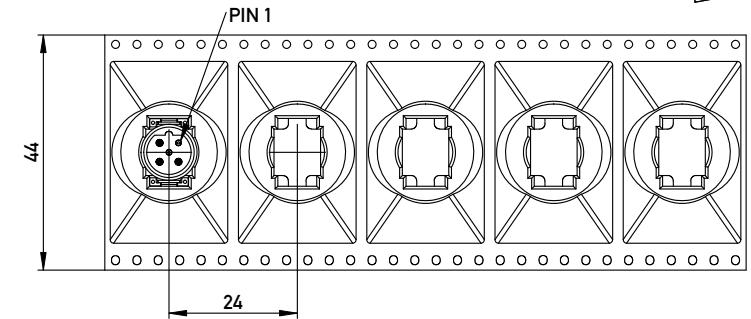
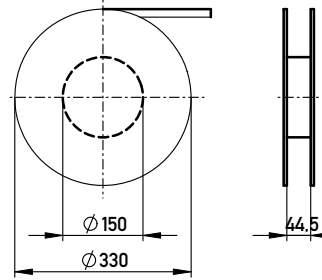
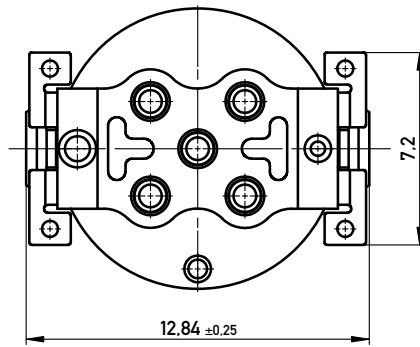
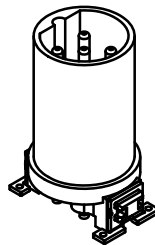
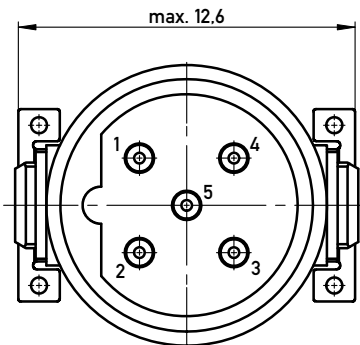
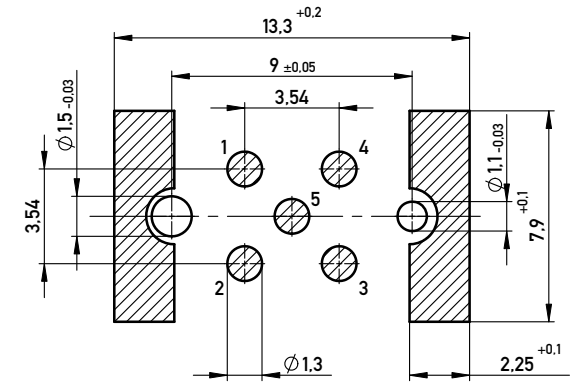


Verpackt in Gurtverpackung - *Tape on Reel Packaging*
 Verpackungseinheit: 75 Stück - *Packaging unit: 75 pcs*

Abspulrichtung - *Reel off Direction*



Layout - Vorschlag
PCB - Layout proposal



Koplanarität aller Kontakte und Clip $\leq 0.1\text{mm}$
coplanarity of all contacts and clips $\leq 0.1\text{mm}$

354130	5 Pol. B Cod.	Gurtverpackung / tape on reel
254319	5 Pol. B Cod.	Schüttgut 100 Stck./ bulk 100 pcs.
Ident-Nr.	Typ	Bemerkung

Information:		Tolerances	Scale 5:1	
All rights reserved. Only for Information. To ensure that this is the latest version of this drawing, please contact one of the ERNI companies before using.		Subject to modification without prior notice. Drawing will not be updated.	Designation	
			Messerleiste M12 5pol. B Cod.10,5mm o.Dichtung	
Copyright by ERNI GmbH. Proprietary notice pursuant to ISO 16016 to be observed.		ERNI www.ERNI.com	254318	
c	18.01.2011		I A3	
Index	Date	Class M12		