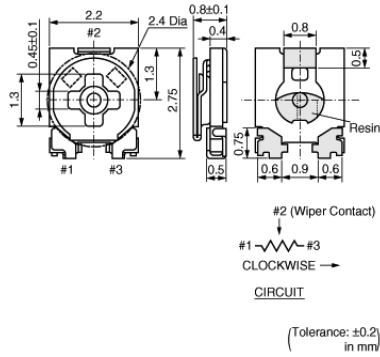


PVA2A473A01R00



Appearance & Shape



Features

1. Ultra-small and thin external dimensions of 2.2(W)x2.75(L)x0.90 max.(T)mm.
2. For the terminal attachment method of construction that uses neither solder nor adhesives, good solderability and terminal attachment intensity are realized.
3. Because of multi-contact wiper structure, PVA2 has a stable characteristics (low noise).
4. PVA2 series does not use a solder, flux or cleaning solvent, so they are environmentally friendly products.
5. Heat resistance performance enables high temperature peak reflow soldering.


Packaging Information

Packaging	Specifications	Minimum Order Quantity
R00	180mm Embossed Tape	3000

Attention

1.This datasheet is downloaded from the website of Murata Manufacturing Co., Ltd. Therefore, it's specifications are subject to change or our products n it may be discontinued without advance notice. Please check with our sales representatives or product engineers before ordering.
2.This datasheet has only typical specifications because there is no space for detailed specifications.
Therefore, please review our product specifications or consult the approval sheet for product specifications before ordering.

PVA2A473A01R00



Specifications

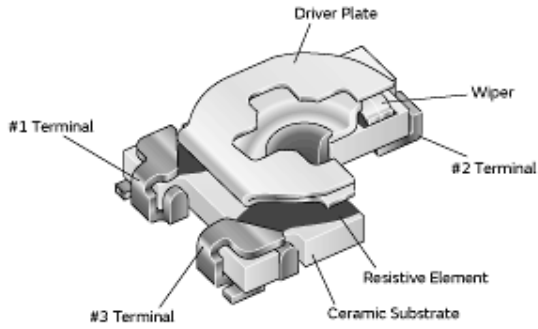
Power Rating	0.1W	Torque	0.5 to 9.8mN m
Shape	SMD	Measure Condition of RatedPower	70°C
Maximum Working Voltage	50Vdc	Operating Temperature Range	-55°C to 125°C
Adjustment Direction	Top	Mass	0.01g
Size	2mm		
Auto Adjustment	Yes		
Number of Turns (Effective Rotation Angle)	1(260°±10°)		
Mechanical Rotation Angle	Endless		
Total Resistance Value	47kΩ		
Total Resistance Value Tolerance	±25%		
Temperature Coefficient of Resistance	±250ppm/°C		
Resistance Taper	B (Linear)		
Contact Resistance Variation	3% max. of nominal total resistance value		
Residual Resistance	4% max. of nominal total resistance value		
Soldering Method	Reflow Soldering Iron		

Attention

1.This datasheet is downloaded from the website of Murata Manufacturing Co., Ltd. Therefore, it's specifications are subject to change or our products in it may be discontinued without advance notice. Please check with our sales representatives or product engineers before ordering.
 2.This datasheet has only typical specifications because there is no space for detailed specifications.
 Therefore, please review our product specifications or consult the approval sheet for product specifications before ordering.

PVA2A473A01R00

Product Data



Constructions

Attention

1.This datasheet is downloaded from the website of Murata Manufacturing Co., Ltd. Therefore, it's specifications are subject to change or our products may be discontinued without advance notice. Please check with our sales representatives or product engineers before ordering.
2.This datasheet has only typical specifications because there is no space for detailed specifications.
Therefore, please review our product specifications or consult the approval sheet for product specifications before ordering.