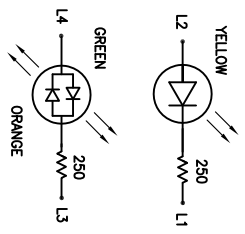
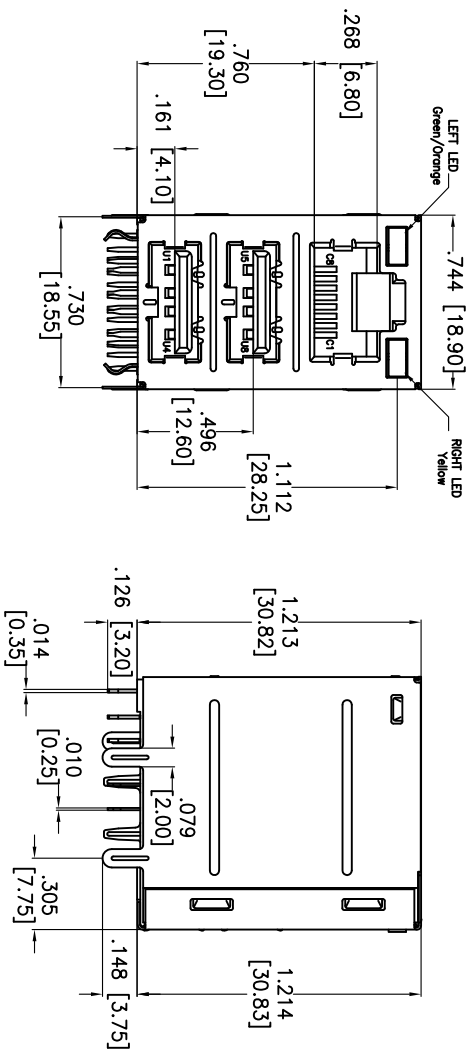
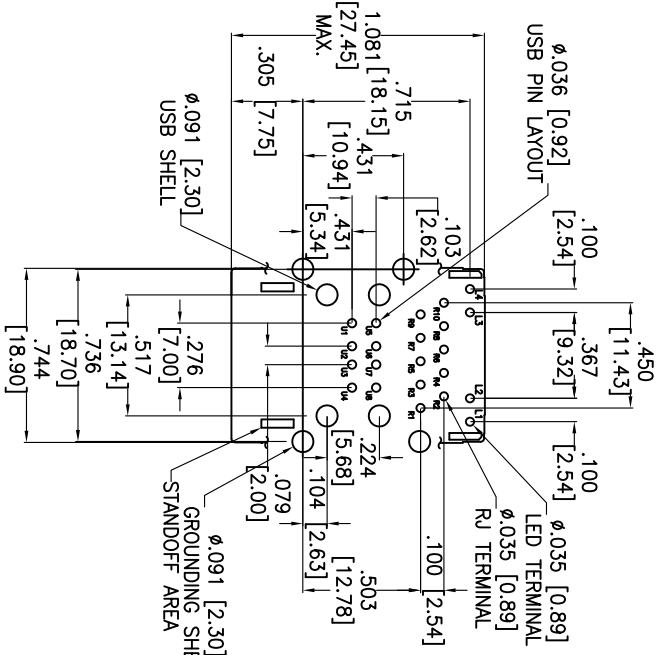


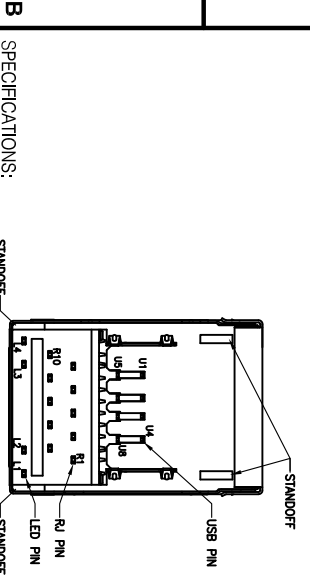
| | | | | |
|-----------------|-------------|--------------|----------|------|
| APPROVED: _____ | DATE: _____ | TITLE: _____ | | |
| 6 | 5 | 4 | | |
| 3 | 2 | 1 | | |
| Rev | AWO # | Description | Date | Appr |
| - | 9832 | RELEASED | 11/02/09 | |



| X | PLATING |
|---|-------------|
| 0 | 15 μin Gold |
| 1 | 30 μin Gold |
| 2 | 50 μin Gold |



RECOMMENDED PCB LAYOUT



SPECIFICATIONS:
Material:
 Insulator: PBT, glass reinforced, rated UL 94V-0
 Insulator color: Black
 Contacts: Phosphor Bronze
 Shield: Copper Alloy, Nickel plated
Contact Plating:
 Gold Flash over Nickel underplate on contact area,
 Tin over Copper underplate on tails
 (See chart for thickness).
Electrical:
 RJ45:
 Insulation Resistance: 500M ohm Min
 Dielectric Withstanding Voltage: 1000VAC Min
 USB:
 Contact Current Rating: 1.5A Max
 Contact Resistance: 30m ohm Max
 Insulation Resistance: 1000M ohm Min
 Dielectric Withstanding Voltage: 500VAC Min
 Temperature Rating:
 Operating Temperature: 0°C to +70°C
 Environmental:
 Lead free, RoHS compliant.
 Recommended soldering temp: 235°C for 5 sec.

A

B

C

D

ADAM TECH
 909 Rahway Avenue, Union, NJ 07083
 Phone: 908-687-5000 Fax: 908-687-5710

TITLE: MODULAR JACK OVER DUAL USB,
 W/LED1 GREEN / ORANGE, LED2 YELLOW

SIZE PART NO. MT-JD-USB-88JX1-FS-L23-M80

REF: S000731 SCALE: NTS SHEET 1 OF 2



UNLESS OTHERWISE SPECIFIED
 ALL DIMENSIONS ARE INCHES [MM]
 TOLERANCES: EXCEPT AS NOTED
 INCHES HOLES
 .X ± .10 Ø.X ± .10
 .XX ± .020 Ø.XXX ± .015
 .XXX ± .015 Ø.XXXX ± .010

APPROVALS
 DRAWN DY 11/02/09
 CHECKED
 APPROVED

DATE
 APPROVED

A

B

C

D