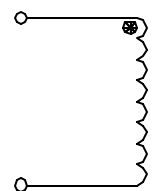
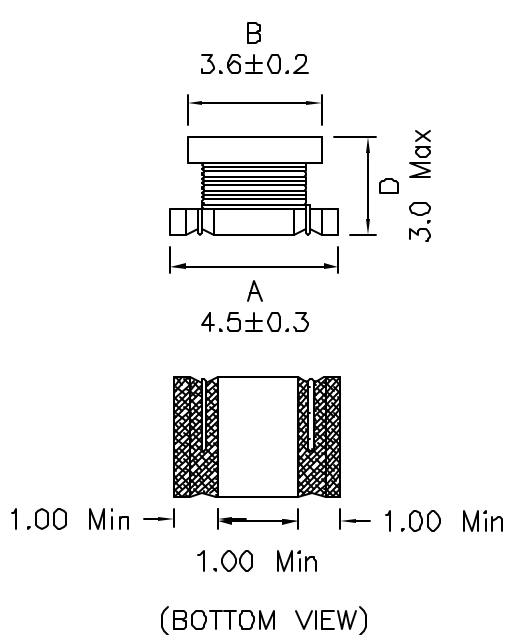


## XFWI453630-xxx SERIES INDUCTORS

- \* True Surface Mount Design
- \* Low Cost, Extremely High Quality Product
- \* Tape & Reel Packaging Standard, 2500 Pcs per 13" Reel
- \* High Inductance, High Power Ratings For Your Laptop, Palmtop, Point of Power Application
- \* Custom Versions Available At No Extra Charge

### Dimensions:

### Schematic:



UNLESS OTHERWISE SPECIFIED  
 TOLERANCES:  
 N/A  
 Dimensions in MM

Part Number	Inductance (uH)	Q Min	Q MEASURED AT MHz	DCR Max (OHM)	SRF MHz Min.	I RATED (mA)
XFWI453630-1R0_	1.0	20	1	0.2	120	500
XFWI453630-1R2_	1.2	20	1	0.2	100	500
XFWI453630-1R5_	1.5	20	1	0.3	85	500
XFWI453630-1R8_	1.8	20	1	0.3	75	500
XFWI453630-2R2_	2.2	20	1	0.3	62	500
XFWI453630-2R7_	2.7	20	1	0.32	53	500
XFWI453630-3R3_	3.3	20	1	0.35	47	500

OCL TEST: 500KHz, 0.1V  
 M=±20%    K=±10%    J=±5%

## XFWI453630-xxx SERIES INDUCTORS

Part Number	Inductance (uH)	Q Min	Q MEASURED AT MHz	DCR Max (OHM)	SRF MHz Min.	I RATED (mA)
XFWI453630-3R9_	3.9	20	1	0.38	41	500
XFWI453630-4R7_	4.7	30	1	0.40	38	500
XFWI453630-5R6_	5.6	30	1	0.47	33	500
XFWI453630-6R8_	6.8	30	1	0.50	31	450
XFWI453630-8R2_	8.2	30	1	0.56	27	450
XFWI453630-100_	10.0	35	1	0.56	23	400
XFWI453630-120_	12.0	35	1	0.62	21	380
XFWI453630-150_	15.0	35	1	0.73	19	360
XFWI453630-180_	18.0	35	1	0.82	17	340
XFWI453630-220_	22.0	35	1	0.94	15	320
XFWI453630-270_	27.0	35	1	1.10	14	300
XFWI453630-330_	33.0	35	1	1.20	12	270
XFWI453630-390_	39.0	35	1	1.40	11	240
XFWI453630-470_	47.0	35	1	1.50	10	220
XFWI453630-560_	56.0	35	1	1.70	9.3	200
XFWI453630-680_	68.0	35	1	1.90	8.4	180
XFWI453630-820_	82.0	35	1	2.20	7.5	170
XFWI453630-101_	100	35	1	2.50	6.8	160
XFWI453630-121_	120	35	1	3.00	6.2	150
XFWI453630-151_	150	40	1	3.70	5.5	130
XFWI453630-181_	180	40	1	4.5	5.0	120
XFWI453630-221_	220	40	1	5.4	4.5	110
XFWI453630-271_	270	40	1	6.8	4.0	100
XFWI453630-331_	330	40	0.796	8.2	3.6	95
XFWI453630-391_	390	40	0.796	9.7	3.3	90
XFWI453630-471_	470	40	0.796	11.8	3.0	80
XFWI453630-561_	560	40	0.796	14.5	2.7	70
XFWI453630-681_	680	40	0.796	17.0	2.5	65
XFWI453630-821_	820	40	0.796	20.5	2.2	60
XFWI453630-102_	1000	40	0.252	25	2.0	50
XFWI453630-122_	1200	40	0.252	30	1.8	45
XFWI453630-152_	1500	40	0.252	37	1.6	40

OCL TEST: 500KHz, 0.1V  
 M=±20%    K=±10%    J=±10%