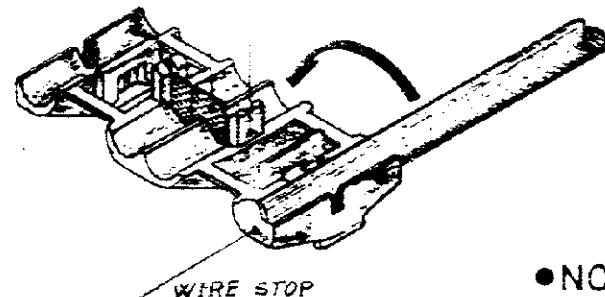


DIBUJADO EN PROYECCIONES AMERICANAS EUROPEAS

		REVISIONS				
P	F	ZONE	LTR	DESCRIPTION	DATE	APPROVED
			A1	REVISED PER ECO-11-005294	13APR11	HMR

Fig.1 Positive lock for secure tap



1st STEP

LAY THE CONDUCTOR IN THE HOUSING AS SHOWN

2nd STEP

FOLD UP THE HOUSING ACCORDING THE ARROW TILL LEAN THE CONDUCTOR AGAINST THE CONTACT

- NO SPECIAL TOOLS
- NO WIRE STRIPPING
- FOR SOLID OR STRANDED WIRE OF SECTION 4 TO 6 mm
- EASY ASSEMBLY

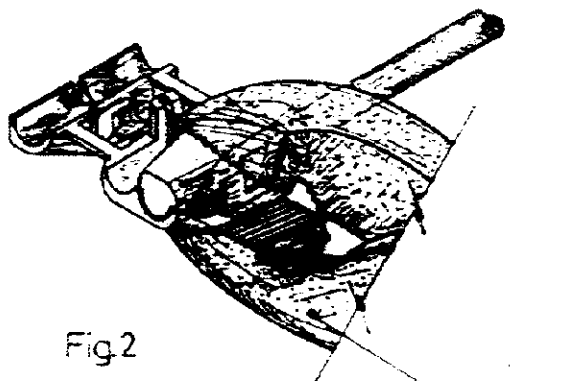


Fig.2

3rd STEP

SQUEEZE WITH TOOLING (PLIERS FIG 2) TILL POSITIVE LOCK IS LATCHED

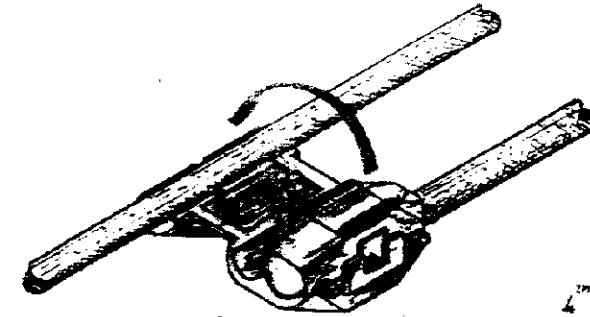
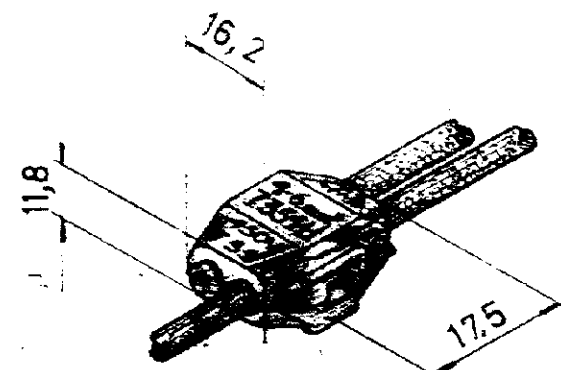


Fig.3

4th STEP

FOLD UP ACCORDING THE ARROW (FIG.3) TILL LEAN THE CONTACT AGAINST THE CONDUCTOR



5th STEP

SQUEEZE TILL LATCH THE POSITIVE LOCK
FINISHED ASSEMBLY

735411	LATON NYLON	ESLOR VERDOR	TIN PLATED
P.N.	MATERIAL	ACABADO	

PLANO DE CLIENTE SOLO PARA REFERENCIA

PN-735411

FECHA: 3.9.92

FECHA: 3.9.92

SECCION: 4-6 mm

SECCION: 5 mm

USO: General

ESCALA: 1:1

LOC: AL

B

PN-735411

A1

NOMBRE: ELECTRO TAP CONNECTOR

DIMENSIONES EN M.M.

8 7 6 5 4 3 2 1