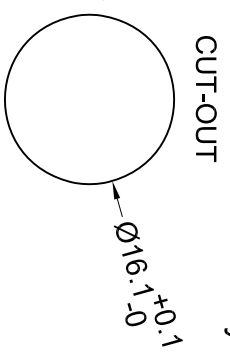
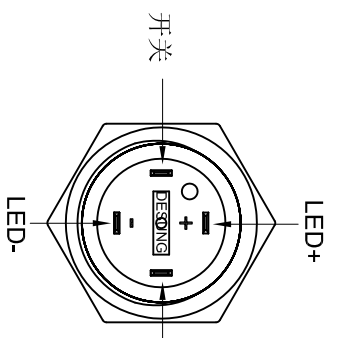
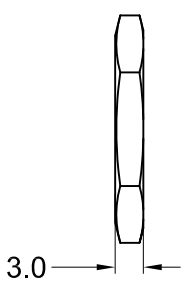
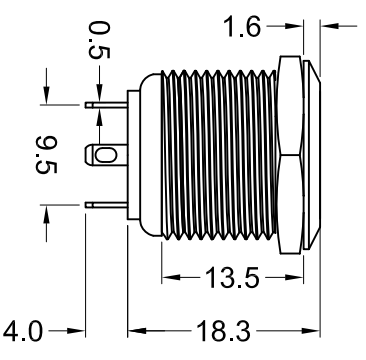
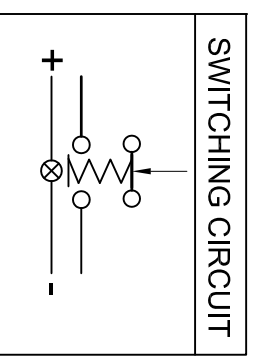


外壳镭雕D-SWITCH,  
背面相对位置镭雕PBM



Nut Torque: 5 ~ 14Nm  
 Operating Pressure: 500gf ±200gf  
 Operating Stroke: 1.9mm ±0.5mm  
 Protection Grade: IP65 IK08  
 Function: (ON)-OFF  
 Contact: Silver Alloy  
 Base: PBT  
 Shell: Brass, Ni Plating  
 Button: SUS  
 Terminal: Brass, silver  
 Lamp Type: LED  
 Lamp Life: 50000H  
 Rating (Resistive load): 3A 250V AC  
 Contact Resistance: 50mΩ Max  
 Insulation Resistance: 100MΩ Min  
 Dielectric Strength: 1500V AC 1 minute  
 Electrical life: 50,000 cycles  
 Mechanical life: 200,000 cycles  
 Operating Temperature: -20°C~80°C  
 Relative Air Humidity: 45%~85%  
 Safety Approval:



公差 TOLERANCES .X±0.5 .XX±0.3 角度 ANGLE ±1° 单位 DIMENSION UNIT mm.

版本 VER	变更说明 CHANGE DESCRIPTION	日期 DATE	ECN NO.	核准 APPROVED BY	核对 CHECKED BY	绘图 DRAWN BY	品名 TITLE	图号 DRAWING NO
							PBM-16M12-FT-U1-Q3-B85-A3	PBM-16M12-FT-U1-Q3-B85-A3_A0