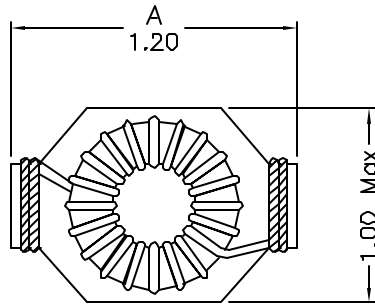
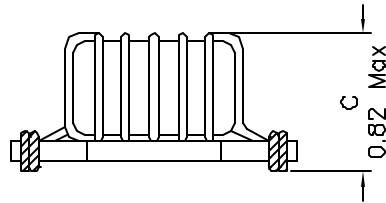


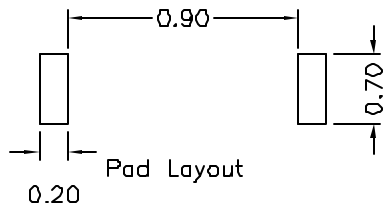
**Dimensions:**



Top View

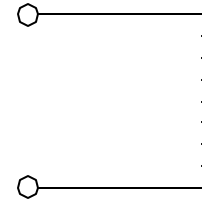


Bottom View



Pad Layout

**Schematic:**



**Electrical Specifications: @25°C**

OCL: 39uH ±10% @1.0KHz 0.1V  
 OCL: 23.3uH±10% @1.0KHz 0.1V With 9.6Adc  
 DCR: 0.014 Ohms Max

**Notes:**

1. Solderability: Leads shall meet MIL-STD-202G, Method 208H for solderability.
2. Flammability: UL94V-0
3. ASTM oxygen index: > 28%
4. Insulation System: Class F 155°C. UL file E151556
5. Operating Temperature Range: All listed parameters are to be within tolerance from -40°C to +85°C
6. Storage Temperature Range: -55°C to +125°C
7. Aqueous wash compatible
8. SMD Lead Coplanarity: ±0.004"(0.102mm)
9. Electrical and mechanical specifications 100% tested
10. RoHS Compliant Component

DOC. REV. A/1

**PROPRIETARY** Document is the property of XFMRS Group & is not allowed to be duplicated without authorization.

<b>XFMRS Inc</b> www.XFMRS.com	Title: SMT High Current Toroid Inductor		
	UNLESS OTHERWISE SPECIFIED TOLERANCES: x.xx ±0.01 Dimensions in Inch	P/N: XF2120-390K	REV. A
	DWN.	Xianyì	Aug-14-09
	CHK.	YK Liao	Aug-14-09
SHEET 1 OF 1	APP.	Joe Huff	Aug-14-09