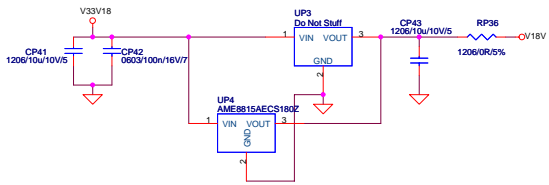


$$V_{A1} = 1.146 * (1 + RP3 / (RP5 + RP4))$$



V12V (TP)

VD33V (TP)

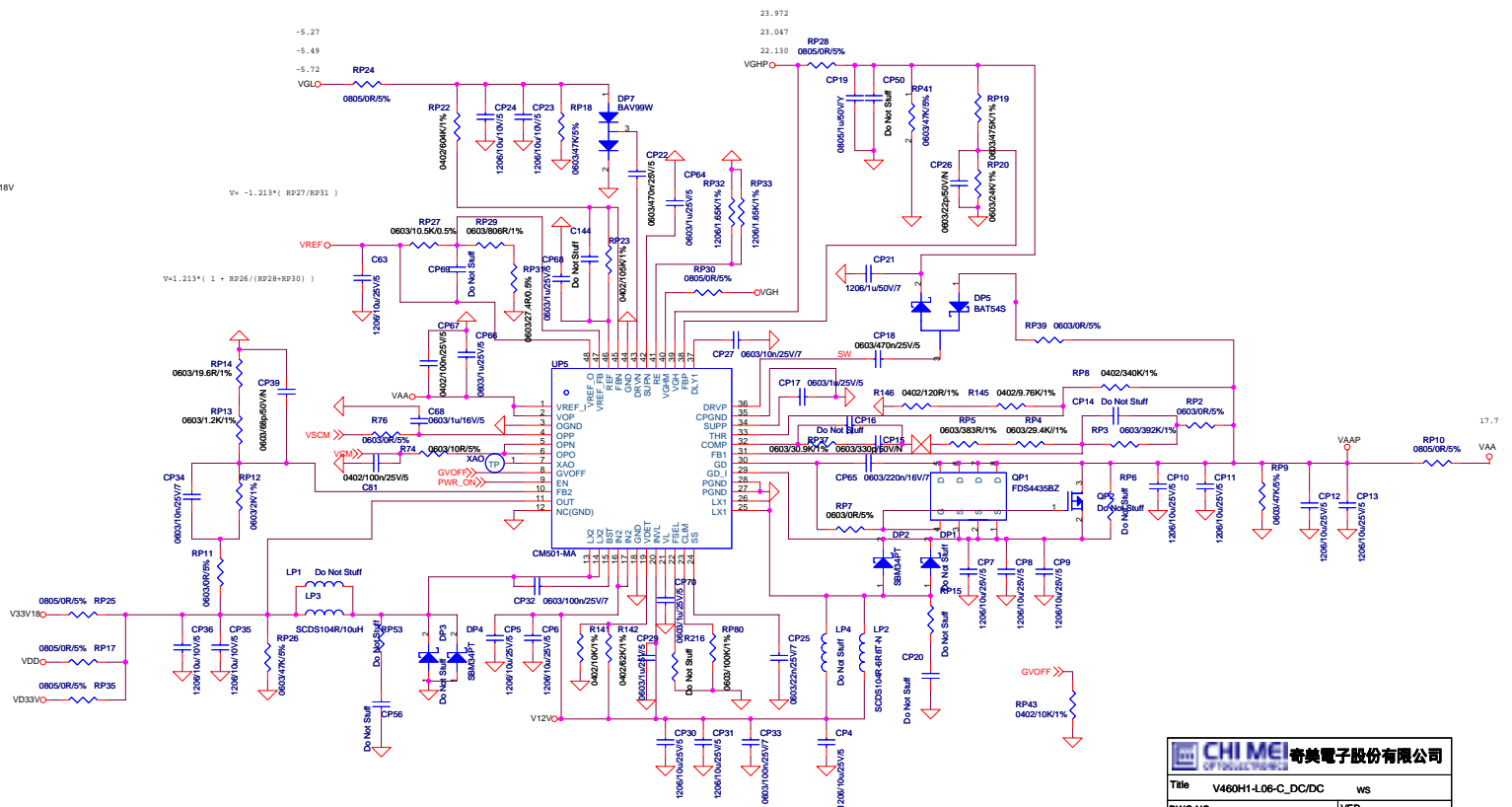
V18V (TP)

VAA (TP)

VGHP (TP)

VGL (TP)

VDD (TP)



$$V = -1.213 * (RP27 / RP31)$$

$$V = 1.213 * (1 + RP26 / (RP28 + RP30))$$



Title	V460H1-L06-DC/DC	ws
DWG NO.	T460C200401	VER. 01
DATE	Wednesday, March 18, 2009	SHEET 5/6
Remark		
CHI MEI COPYRIGHT 2002. ALL RIGHTS RESERVED. COPYING FORBIDDEN		

APPROVED	CHECKED	DESIGNER