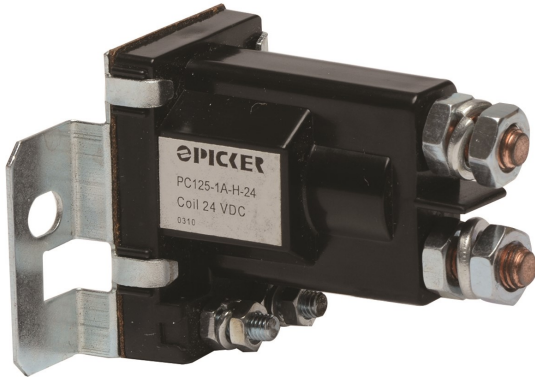


100 Amp D.C. Power Contactor **PC120**



FEATURES

- Direct Insert Mounting
- Contact Switching Capacity up to 40 Amps
- Internal Resistors Available
- RoHS Compliant
- Compatible with White Rogers/Stancor 120-9xx Series

Part Number	Duty Cycle	Terminal Type	Pole Form	Bracket Style	Coil Voltage D.C.*	Coil Resistance (Ohms) @ 25° C	Contact Material	Contact Rating (Amps) Inductive Load			Dimensions Inches			Weight (oz)
								Volt D.C.	Normally Open		Case			
									Continuous	Inrush	L	W	H	
PC120-901	Continuous	4	SPNO	Standard	12	16.0	Silver Alloy	12	100	400	2.125	2.875	3.253	6.0
PC120-902	Continuous	4	SPNO	Standard	15	20.8	Silver Alloy	15	100	400	2.125	2.875	3.253	6.0
PC120-903	Continuous	4	SPNO	Standard	18	37.0	Silver Alloy	18	100	400	2.125	2.875	3.253	6.0
PC120-904	Continuous	4	SPNO	Standard	24	64.0	Silver Alloy	24	100	400	2.125	2.875	3.253	6.0
PC120-905	Continuous	4	SPNO	Standard	36	160.0	Silver Alloy	36	100	400	2.125	2.875	3.253	6.0

*Coil Voltages 6, 14, 48 are available as special order.

CONTACT DATA

Volts (VDC)	Continuous (A)	Inrush (A)	Electric Life	Contact Material
12	80	400	1 X 10 ⁴	Copper
12	100	400	5 X 10 ⁴	Silver Alloy
36	100	400	2.5 X 10 ⁴	Silver Alloy

ORDERING INFORMATION

Example:	PC120	-901	-Z	H	-22	-C	388
Model:	PC120-9xx						
Coil Voltage:	01: 12; 02: 15; 03: 18; 04: 24; 05: 36 VDC						
Mounting Bracket Plating:	Nil: Bare Metal; Z: Zinc Plater						
Hardware:	Nil: None; H: Hardware Included						
Coil Terminal Length:	Nil: .451"; 22: .22"						
Contact Material:	Nil: AgCdO; C: Copper						
Contact Termination:	Nil: .495"; 388: .388"						

DESIGN DATA

D.C. Type	Coil Rating	Operation in % of Nominal Coil Rating		Breakdown Voltages All Terminals—60 Hz RMS			Contact Material	Electrical Life		Mechanical life		Max Ambient °F
	Nominal Magnetic Coil Rating (Watts)	Pick-up	Max. State Operate	Opposite Polarity	Open Contacts Same Polarity	To Ground	Power	Operations at Rated Load	Operations per Minute	Operations at No Load	Operations per Minute	
120	8.1	75%	110%	500	500	500	Copper	10,000	2	100,000	30	150
							Silver Alloy	50,000	2	100,000	30	

Power (approximate)

— Continuous 8.1 Watts

TerminationsStandard:

- Contacts: 5/16 - 24 studs, 495" min Length
- Coil: #10-32, 451" Min Length

Optional:

- Contacts: 5/16 - 24 studs, 495" min Length
- Coil: #10-32, 451" Min Length

Hardware Torque Specifications

- Contact Terminal*: 45 - 55 inch-lbs
- Coil Terminal*: 12 - 18 inch-lbs

* Note: a back up wrench must be used to hold the bottom nut stationary

Temperature Range

- Continuous Duty: -20°F to 120°F

Recommended Mounting

- Coil Terminals Up or Horizontal

COIL DATA

Coil Voltage (VDC)		Coil Power (mW)	Operate Voltage (VDC)	
Rated	Max	Resistance (Ohms ± 10%)	Intermittent	Continuous
		8.1 W Continuous		
6	6.9	4.0	4.02	4.5
12	13.2	16.0	8.04	9.0
14	15.4	23.0	9.38	10.5
15	16.5	26.0	10.05	11.25
24	26.4	64.0	16.08	18.0
36	39.6	160.0	24.12	27.0
48	52.8	256.0	32.16	36.0

*Special coils available upon request



3220 Commander Drive, Suite 102 Carrollton, TX 75006
 Sales: (972) 713-6272 (888) 997-3933 Fax: (972)735-0964

www.PickerComponents.com

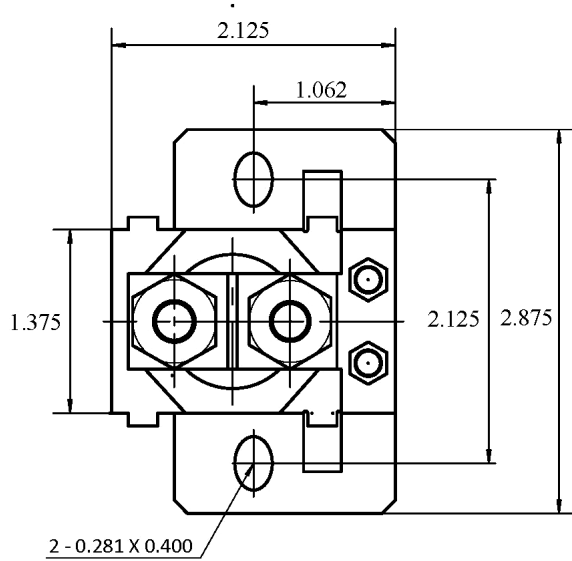
e-mail: sales@pickercomponents.com

Dimensions are listed for reference purposes only.

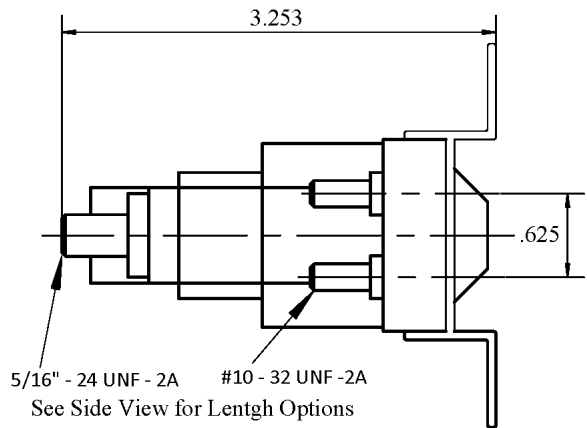
Specifications and Availability subject to change without notice.

DIMENSIONS inches (mm)

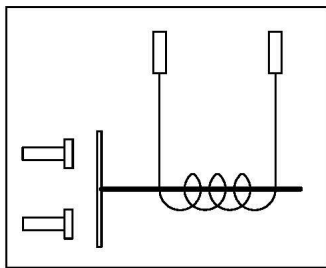
TERMINAL TYPE 4



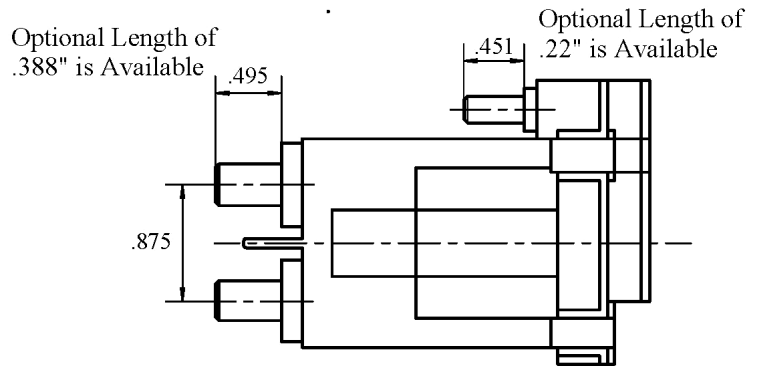
Relay (Top View)



Relay (Front View)



Wire Diagram 1A



Relay (Side View)