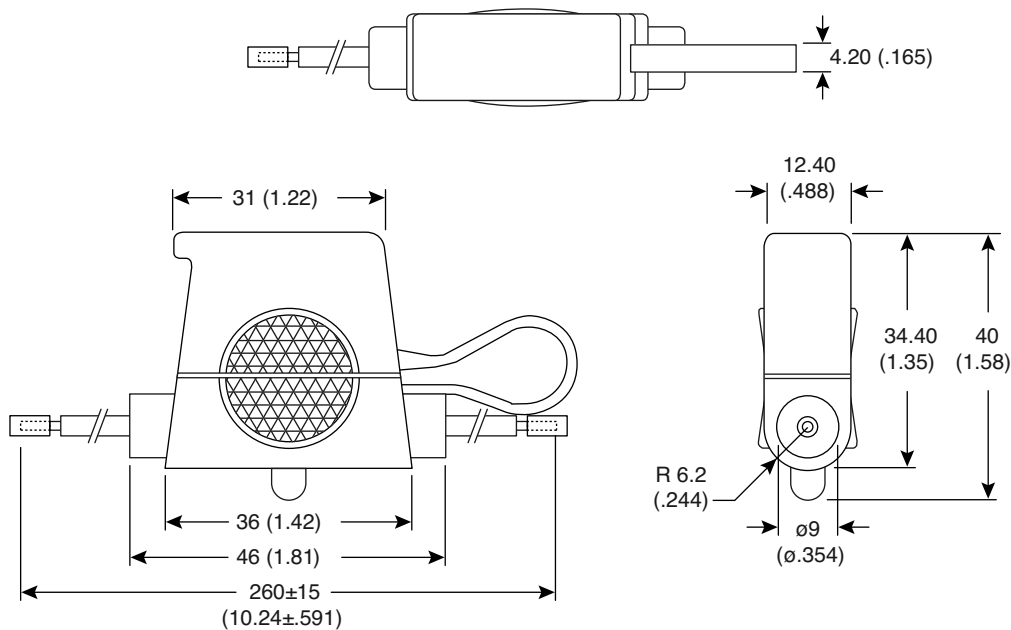
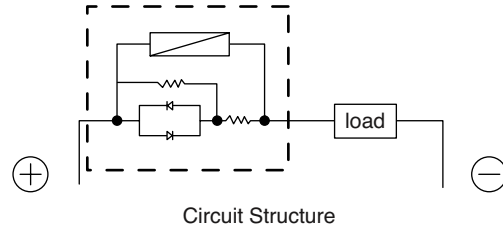
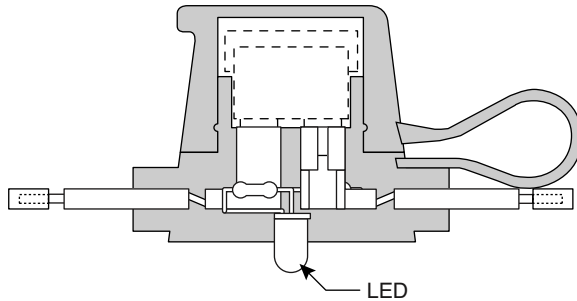


Date Last Revised: 01-11-08



Dimensions: mm (in.)

Type	Wire	Rating	Wire Color
441-R359A-GR	12AWG	30A 12-24 VDC	Red
441-R359B-GR	14AWG	20A 12-24 VDC	Red
441-R359C-GR	16AWG	15A 12-24 VDC	Red
441-R359D-GR	18AWG	10A 12-24 VDC	Red

SPECIFICATIONS	
Rating:	12 - 24 VDC
Contact Resistance	50m Ω max.
Insulation Resistance:	500VDC 100M Ω min.
Dielectric Strength:	1000VAC, 1 minute
Body:	PVC
RoHS Compliant	

Available from Mouser Electronics
1-800-346-6873 / www.mouser.com

EPD-200531

Mouser Electronics

Authorized Distributor

Click to View Pricing, Inventory, Delivery & Lifecycle Information:

[Eagle Plastic Devices:](#)

[441-R359A-GR](#) [441-R359B-GR](#) [441-R359D-GR](#) [441-R359C-GR](#)