

PLEASE CHECK WWW.MOLEX.COM FOR LATEST PART INFORMATION

Part Number: [0082226104](#)
Status: **Active**
Description: 2.54mm (.100") Pitch Round Conductor Flat Cable - 22 AWG (7 x 30) Stranded, Tinned, 4 Circuits, Reel 30.48m (100.0') Length

Documents:

[Drawing \(PDF\)](#) [RoHS Certificate of Compliance \(PDF\)](#)

Agency Certification

CSA LR61126
 UL E61522

General

Product Family Cable
 Series [7560](#)
 Crimp Quality Equipment Yes
 Geographic Area Asia
 Product Name Ribbon

Physical

Cable Length 30.48m (100.0')
 Circuits (Loaded) 4
 Insulation PVC
 Packaging Type Reel
 Pitch - Term. Interface (in) 0.100 In
 Pitch - Term. Interface (mm) 2.54 mm
 Temperature Range - Operating -20°C to +105°C
 Wire Size AWG 22
 Wire/Cable Type (7x30) Stranded, Tinned

Electrical

Current - Maximum per Contact N/A
 Voltage - Maximum 300V

Material Info

Old Part Number 7560-04-100B

Reference - Drawing Numbers

Sales Drawing SD-7560-001



EU RoHS

ELV and RoHS Compliant
REACH SVHC
 Not Reviewed
Halogen-Free Status
 Not Reviewed

China RoHS



Need more information on product environmental compliance?

Email productcompliance@molex.com
 For a multiple part number RoHS Certificate of Compliance, [click here](#)

Please visit the [Contact Us](#) section for any non-product compliance questions.

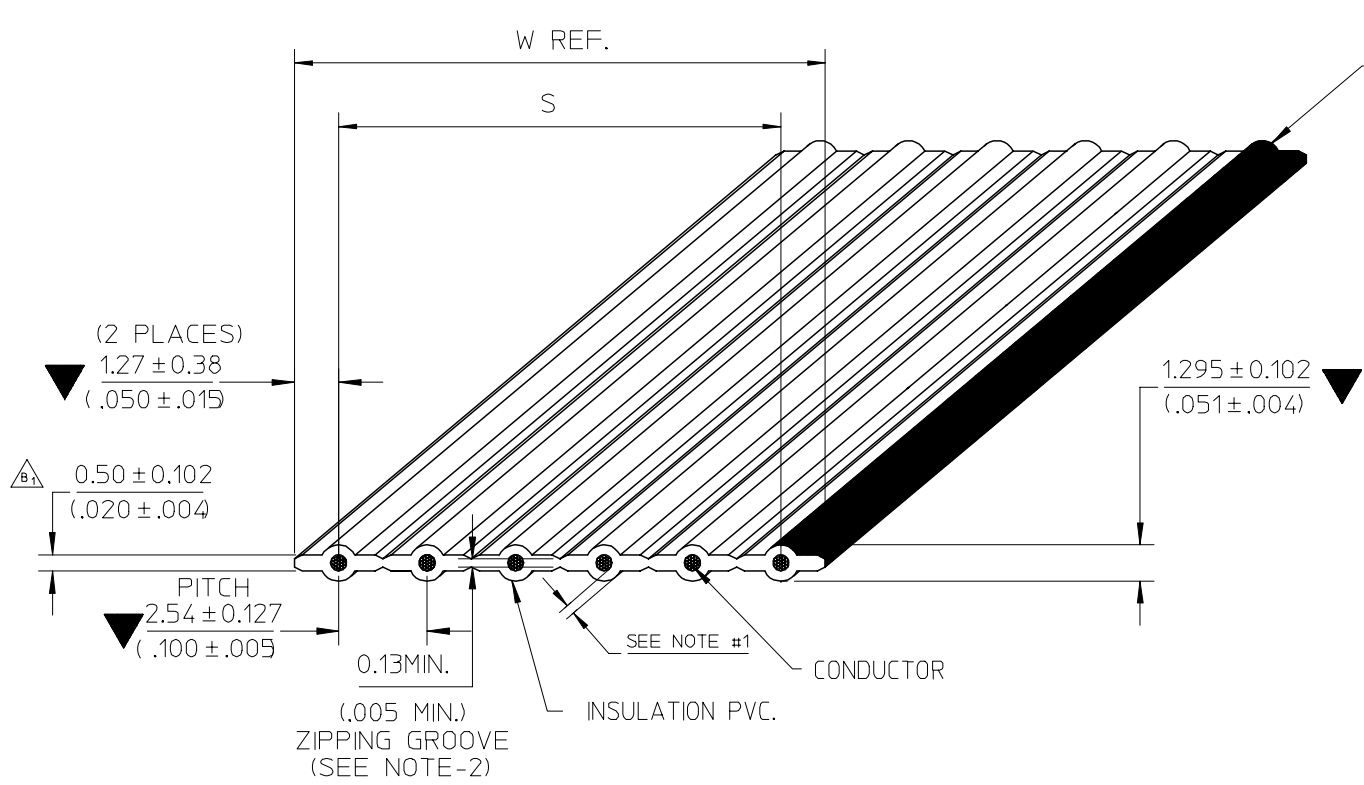
Search Parts in this Series

[7560Series](#)

Use With

[70400](#) C-Grid SL™ IDT Connector Assembly.
[70475](#) SL™ IDT Connector Assembly.
[7720](#) KK® IDT Double Cantilever Contact

7 6 5 4 3 2 1



- NOTE :
1. THE CABLE SHALL HAVE A MINIMUM OF 0.178mm. (.007") THICKNESS INSULATION AT ANY POINT
 2. RIP TEST:
 - THE 0.13mm. (.005") ZIPPING GROOVE SHALL BE CAPABLE OF BEING RIPPED BY HAND WITHIN THE RECESS, WITHOUT EXPOSING THE ADJACENT CONDUCTORS
 3. RoHS AND LEAD FREE COMPLIANT
 4. SPECIAL REQUIREMENT: N/A

B	E-07-0748	B ₂ : ADD NON-OPERATING TEMP. B ₁ : CHANGE WEB THICKNESS	07/09/26
A	N/A	NEW RELEASE	06/07/18
REV. HISTORY	EC NO.	DETAIL	DATE

SEE CHANGE DETAIL
EC NO: THL2008-0015
DRWN: CPANSAKHOM 2007/11/28
CHKD: DNARINTARA 2007/11/29
APPR: SVIRATJAPOL 2007/12/04

QUALITY SYMBOLS	DESCRIPTION
$\nabla = 3$	
$\nabla = 0$	

GENERAL TOLERANCES (UNLESS SPECIFIED)	
	mm INCH
4 PLACES	± --- ± ---
3 PLACES	± --- ± ---
2 PLACES	± --- ± ---
1 PLACE	± --- ± ---
ANGULAR ± --- °	
DRAFT WHERE APPLICABLE MUST REMAIN WITHIN DIMENSIONS	

DIMENSION STYLE	
MM/IN	
DRAWN BY	DATE
CPANSAKHOM	2006/07/18
CHECKED BY	DATE
PMEECHAI	2006/07/18
APPROVED BY	DATE
SVIRATJAPOL	2006/07/18
MATERIAL NO.	
SEE CHART	
SIZE	
A 4	

SCALE	DESIGN UNITS	THIRD ANGLE PROJECTION
NTS	INCH	
TITLE		MOLEX INCORPORATED
FCB ROUND CONDUCTOR 2.54MM(.100)CENTER PVC. 22AWG STRANDED TINNED		
DOCUMENT NO.		SHEET NO.
SD-7560-001		1 OF 3
THIS DRAWING CONTAINS INFORMATION THAT IS PROPRIETARY TO MOLEX INCORPORATED AND SHOULD NOT BE USED WITHOUT WRITTEN PERMISSION		

6 5 4 3 2 1

E

E

SPECIFICATIONS

PHYSICAL

CONDUCTOR SPACING 2.54(.100") \bar{C} TO \bar{C}
 WIRE GAUGE 22 AWG(7/30) STRANDED TINNED
 INSULATION P.V.C GRAY (LEAD FREE)

AGENCY

U.L. STYLE NO. 2651
 TEMPERATURE RATING -20°C TO 105°C
 VOLTAGE RATING 300V.MAX.
 FLAMMABILITY RATING VW-1

ELECTRICAL

CONDUCTOR RESISTANCE (D.C.) 17 m OHMS/FT. MAX.
 CHARACTERISTIC IMPEDANCE 128 OHMS NOM. (GS)
 104 OHMS NOM. (GSG)
 CAPACITANCE 7.2 pF/FT. NOM. (GS)
 13.4 pF/FT. NOM. (GSG)
 PROPAGATION DELAY 1.4 ns/FT. NOM.
 INSULATION RESISTANCE 10 M OHMS (10FT. SAMPLE)
 DIELECTRIC WITHSTAND VOLTAGE 2000 VRMS/MINUTE

GENERAL

\triangle_{B_2} NON-OPERATING TEMPERATURE -20°C TO 105°C
 FAULTS AND/OR SPLICES 1/REEL MAX. 100 $^{+3}_0$ FT. (30.48 $^{+0.914}_0$ M.)/REEL
 20FT. (6.096M.) MIN. LENGTH

D

D

C

C

B

B

A

A

SEE CHANGE DETAIL EC NO: THL2008-0015 DRWN: CPANSAKHOM 2007/11/28 CHKD: DNARINTARA 2007/11/29 APPR: SVIRATJAPOL 2007/12/04	DESCRIPTION REV	QUALITY SYMBOLS	GENERAL TOLERANCES (UNLESS SPECIFIED)		DIMENSION STYLE	SCALE	DESIGN UNITS	THIRD ANGLE PROJECTION			
			mm	INCH	MM/IN	NTS	INCH				
		$\blacktriangledown =$	4 PLACES \pm ----	\pm ----		DRAWN BY	DATE	TITLE			
		$\triangle =$	3 PLACES \pm ----	\pm ----		CPANSAKHOM	2006/07/18	FCB ROUND CONDUCTOR 2.54MM(.100)CENTER PVC. 22AWG STRANDED TINNED			
			2 PLACES \pm ----	\pm ----		CHECKED BY	DATE	MOLEX INCORPORATED			
	1 PLACE \pm ----	\pm ----		PMEECHAI	2006/07/18						
	ANGULAR \pm ----	\pm ----		APPROVED BY	DATE						
				SVIRATJAPOL	2006/07/18						
				MATERIAL NO.	DOCUMENT NO.	SHEET NO.					
				SEE CHART	SD-7560-001	2 OF 3					
				SIZE	THIS DRAWING CONTAINS INFORMATION THAT IS PROPRIETARY TO MOLEX INCORPORATED AND SHOULD NOT BE USED WITHOUT WRITTEN PERMISSION						
				\triangle_{A_4}							

E

D

C

B

A

E

D

C

B

A

CHART A DIMENSIONS MM. (INCHES)				SHIPPED ON 100FT. REELS	
ENG. NO.	NO.OF COND.	DIMENSION S	DIM. W (REF)	ENGINEERING NO.	ORDER NO.
7560-02	2	2.54±0.127 (.100±.005)	5.08 (.200)	7560-02-100B	82-22-6102
7560-03	3	5.08±0.20 (.200±.008)	7.62 (.300)	7560-03-100B	82-22-6103
7560-04	4	7.62±0.30 (.300±.012)	10.16 (.400)	7560-04-100B	82-22-6104
7560-05	5	10.16±0.33 (.400±.013)	12.70 (.500)	7560-05-100B	82-22-6105
7560-06	6	12.70±0.33 (.500±.013)	15.24 (.600)	7560-06-100B	82-22-6106
7560-07	7	15.24±0.33 (.600±.013)	17.78 (.700)	7560-07-100B	82-22-6107
7560-08	8	17.78±0.33 (.700±.013)	20.32 (.800)	7560-08-100B	82-22-6108
7560-09	9	20.32±0.33 (.800±.013)	22.86 (.900)	7560-09-100B	82-22-6109
7560-10	10	22.86±0.33 (.900±.013)	25.40 (1.000)	7560-10-100B	82-22-6110
7560-11	11	25.40±0.33 (1.000±.013)	27.94 (1.100)	7560-11-100B	82-22-6111
7560-12	12	27.94±0.33 (1.100±.013)	30.48 (1.200)	7560-12-100B	82-22-6112
7560-13	13	30.48±0.33 (1.200±.013)	33.02 (1.300)	7560-13-100B	82-22-6113
7560-14	14	33.02±0.33 (1.300±.013)	35.56 (1.400)	7560-14-100B	82-22-6114
7560-15	15	35.56±0.33 (1.400±.013)	38.10 (1.500)	7560-15-100B	82-22-6115
7560-16	16	38.10±0.33 (1.500±.013)	40.64 (1.600)	7560-16-100B	82-22-6116
7560-17	17	40.64±0.33 (1.600±.013)	43.18 (1.700)	7560-17-100B	82-22-6117
7560-18	18	43.18±0.33 (1.700±.013)	45.72 (1.800)	7560-18-100B	82-22-6118
7560-19	19	45.72±0.33 (1.800±.013)	48.26 (1.900)	7560-19-100B	82-22-6119
7560-20	20	48.26±0.33 (1.900±.013)	50.80 (2.000)	7560-20-100B	82-22-6120

ENGINEERING NO.

7560-XX-XXXX

A B C D

A : CABLE 2.54mm. (.100") CENTERS 22 AWG STRANDED TINNED

B : CONDUCTOR SIZE (AVAILABILITY 2 THROUGH 20)

C : CABLE LENGTH 100FT. (30.48M.)

D : A= INCHES

B = FEET

SEE CHANGE DETAIL EC NO: THL2008-0015 DRWN:CPANSAKHOM 2007/11/28 CHKD:DNARINTARA 2007/11/29 APPR:SVIRATJAPOL 2007/12/04	DESCRIPTION REV	QUALITY SYMBOLS	GENERAL TOLERANCES (UNLESS SPECIFIED)		DIMENSION STYLE MM/IN		SCALE NTS	DESIGN UNITS INCH	THIRD ANGLE PROJECTION																																
		▼ = ▽ =	<table border="1"> <tr><th></th><th>mm</th><th>INCH</th></tr> <tr><td>4 PLACES</td><td>± ---</td><td>± ---</td></tr> <tr><td>3 PLACES</td><td>± ---</td><td>± ---</td></tr> <tr><td>2 PLACES</td><td>± ---</td><td>± ---</td></tr> <tr><td>1 PLACE</td><td>± ---</td><td>± ---</td></tr> </table>		mm	INCH	4 PLACES	± ---	± ---	3 PLACES	± ---	± ---	2 PLACES	± ---	± ---	1 PLACE	± ---	± ---	<table border="1"> <tr><th colspan="2">DRAWN BY</th><th>DATE</th></tr> <tr><td>CPANSAKHOM</td><td></td><td>2006/07/18</td></tr> <tr><th colspan="2">CHECKED BY</th><th>DATE</th></tr> <tr><td>PMEECHA I</td><td></td><td>2006/07/18</td></tr> <tr><th colspan="2">APPROVED BY</th><th>DATE</th></tr> <tr><td>SVIRATJAPOL</td><td></td><td>2006/07/18</td></tr> </table>	DRAWN BY		DATE	CPANSAKHOM		2006/07/18	CHECKED BY		DATE	PMEECHA I		2006/07/18	APPROVED BY		DATE	SVIRATJAPOL		2006/07/18	TITLE		FCB ROUND CONDUCTOR 2.54MM(.100)CENTER PVC. 22AWG STRANDED TINNED	
			mm	INCH																																					
		4 PLACES	± ---	± ---																																					
		3 PLACES	± ---	± ---																																					
2 PLACES	± ---	± ---																																							
1 PLACE	± ---	± ---																																							
DRAWN BY		DATE																																							
CPANSAKHOM		2006/07/18																																							
CHECKED BY		DATE																																							
PMEECHA I		2006/07/18																																							
APPROVED BY		DATE																																							
SVIRATJAPOL		2006/07/18																																							
ANGULAR ±---°			MATERIAL NO.		DOCUMENT NO.		SHEET NO.																																		
DRAFT WHERE APPLICABLE MUST REMAIN WITHIN DIMENSIONS			SEE CHART		SD-7560-001		3 OF 3																																		