

**Small Outline Package  
SOIC, SOJ and PLCC DIP Adapters  
IC's with leads on 0.050" Centers**

**SSOP DIP ADAPTER  
MODULES  
ELIMINATE THE  
NEED TO  
REDESIGN  
MOTHERBOARDS  
OR MAY BE USED  
FOR  
BREADBOARD  
PROTOTYPING**

**DESCRIPTION**

This new family of Accutek DIP Adapter Modules converts surface mount IC's to pin compatible DIP packages for creating drop-in replacements for end-of-life DIP IC's. Package types supported are: SOIC (Small Outline Package), SOJ and PLCC.

These DIP Adapters were developed for users with motherboard designs that require DIP's, now obsolete by manufacturers. These adapter modules save costly motherboard redesigns.

Available with machined or flat contact pins. Accutek DIP Adapter Modules feature 8 to 84 pins, are fully assembled and tested and may include a decoupling capacitor. These DIP Adapters can be manufactured turnkey or from customer supplied surface mount IC's. Modules range in length from 0.400" to 4.200" depending on number of pins and incorporate 0.300", 0.400", 0.600", 0.900", 1.200" and 1.400" row-to-row spacing with 0.100" lead spacing.

Custom configurations up to 200 pins, multi-chip and double sided modules are also available for special functions. A variety of pin lengths with varying diameters as well as custom sizes and spacing can be specified with different materials and finishes. All modules are designed in-house using PCB CAD workstations. Automated assembly and 100% testing are also performed in-house.

**FEATURES**

- Saves costly redesign of current motherboards
- Fully tested with lifetime limited warranty
- May include an on board decoupling capacitor
- IC assembly and testing available
- EPROM and Flash programming available
- Custom lead lengths available
- Custom multi-chip and double-sided modules available

**ORDERING OPTIONS**

- Adapter only
- Customer supplies chips - Accutek assembles on Accutek adapters, tests and delivers finished product in antistatic tubes.
- Complete turnkey - Accutek purchases IC's and passives. Then assembles, tests and delivers finished product in antistatic tubes.



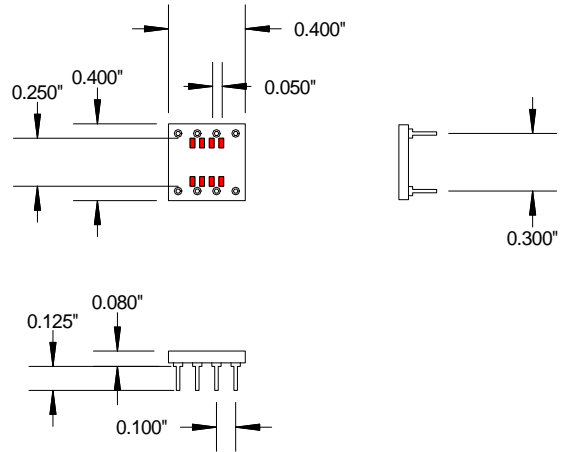
5 NEW PASTURE ROAD  
NEWBURYPORT, MA 01950-4040  
PHONE: 978-465-5200 FAX: 978-462-3396  
Email: sales@accutekmicro.com  
Internet: www.accutekmicro.com

We can assemble your chips on to our adapter boards. Fully automated assembly and test at our Newburyport, Massachusetts facility.

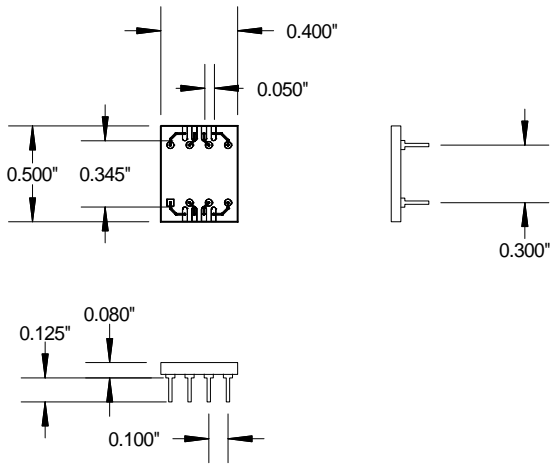


No job to large or small.

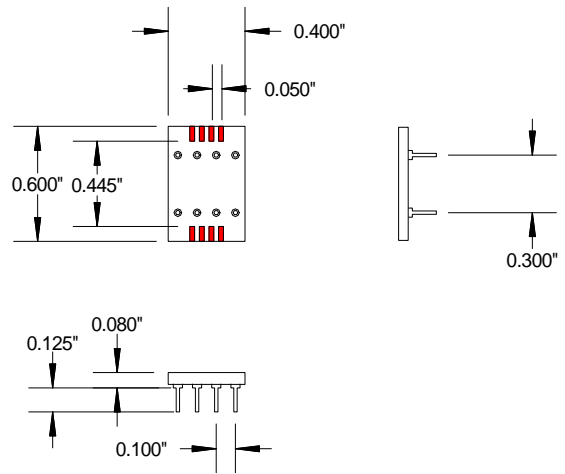
**AK08D300-NSO**  
8 PIN SOIC TO DIP



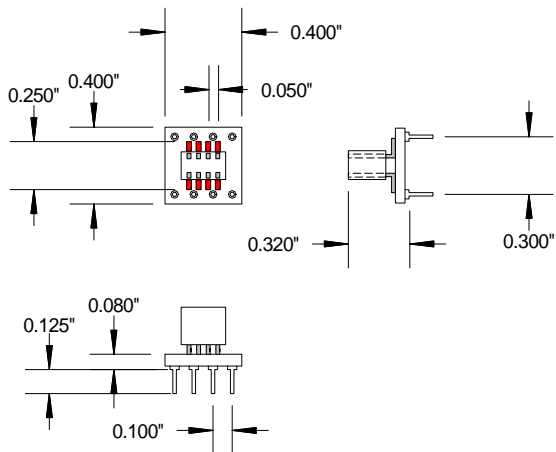
**AK08D300-WSO**  
8 PIN WIDE SOIC TO DIP



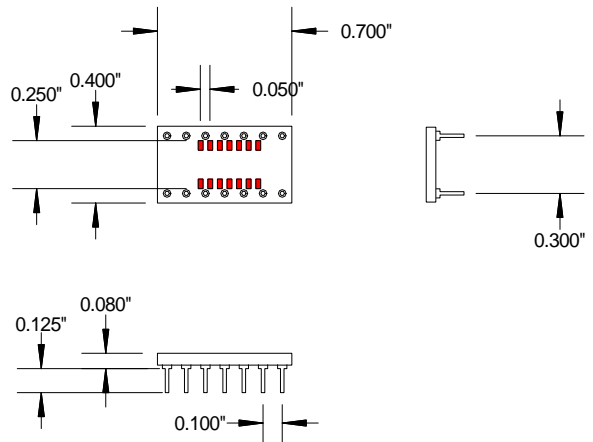
**AK08D300-HSOP**  
8 PIN HSOP TO DIP



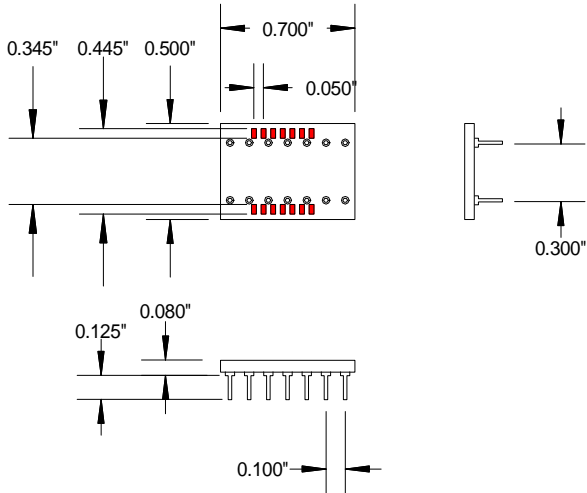
**AK08DS300-SOSPA**  
8 PIN PROGRAMMING ADAPTER  
FOR EEPROM SOIC ADAPTER  
SOCKET AK08SOIC-ST



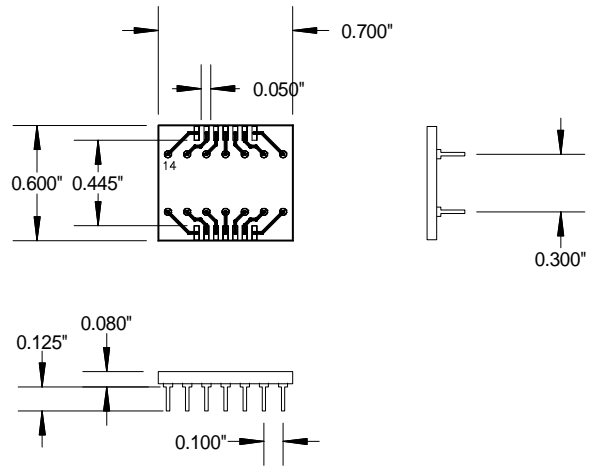
**AK14D300-NSO**  
14 PIN SOIC TO DIP



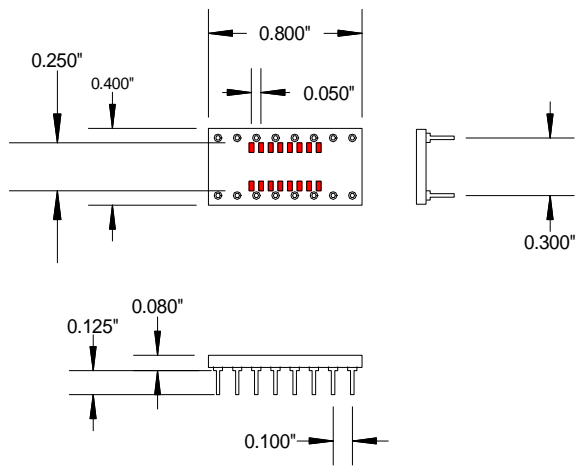
**AK14D300-WSO**  
14 PIN WIDE SOIC TO DIP



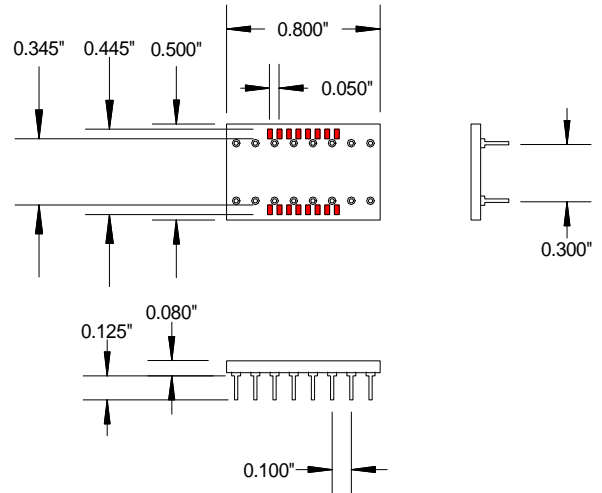
**AK14D300-HSOP**  
14 PIN HSOP TO DIP



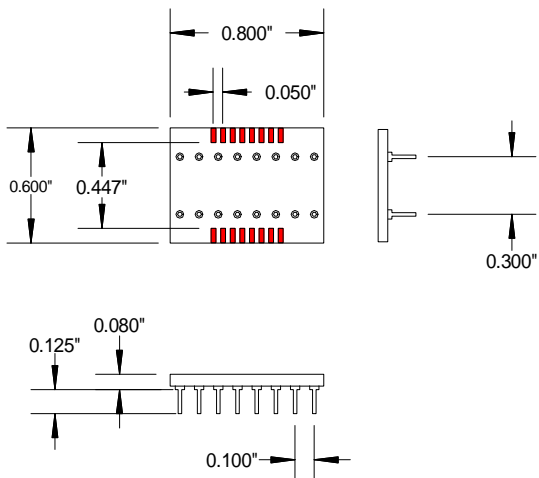
**AK16D300-NSO**  
16 PIN SOIC TO DIP



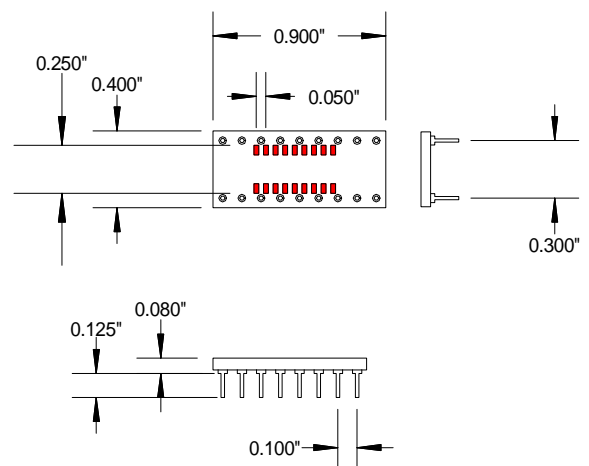
**AK16D300-WSO**  
16 PIN WIDE SOIC TO DIP



**AK16D300-HSOP**  
16 PIN HSOP TO DIP

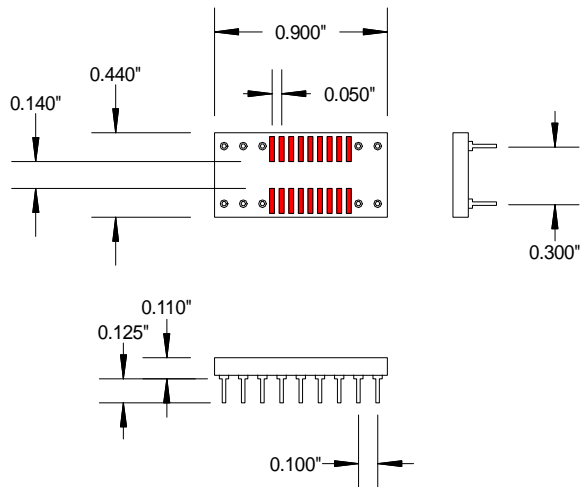


**AK18D300-NSO**  
18 PIN NARROW SOIC TO DIP



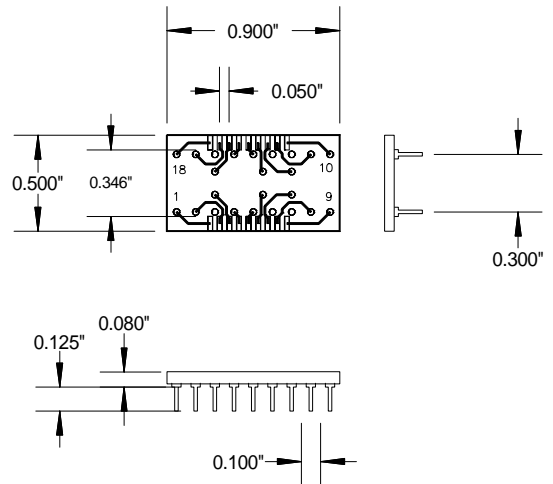
### AK18D300-NWSO

18 PIN WIDE OR NARROW SOIC TO DIP



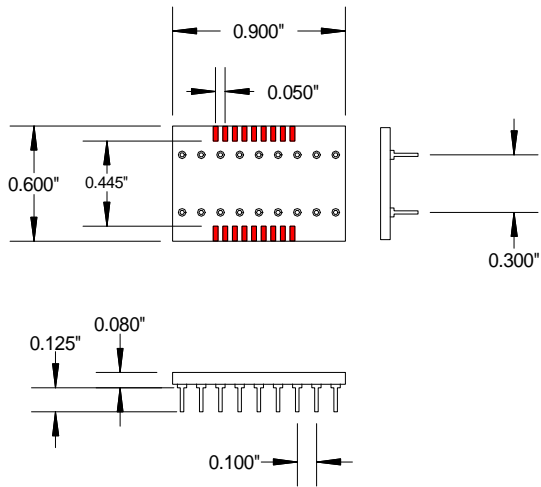
### AK18D300-WSO

18 PIN WIDE SOIC TO DIP

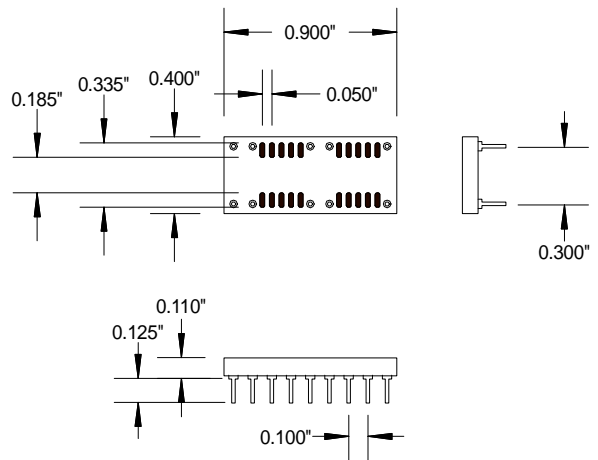


### AK18D300-HSOP

18 PIN HSOP TO DIP

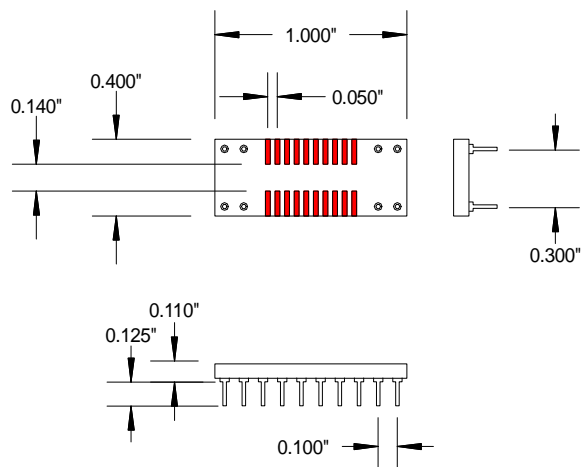


### AK18D300-SOJ-64KX4 (for 64K X 4 DRAMs)



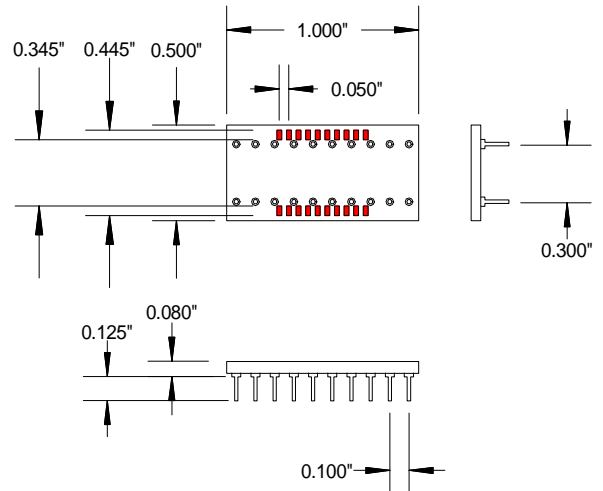
### AK20D300-NWSO

20 PIN NARROW OR WIDE SOIC TO DIP

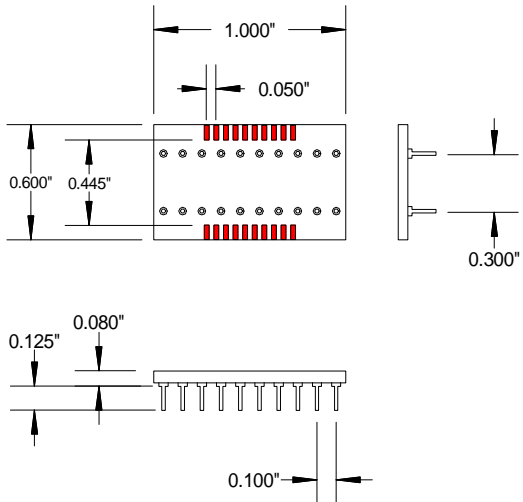


### AK20D300-WSO

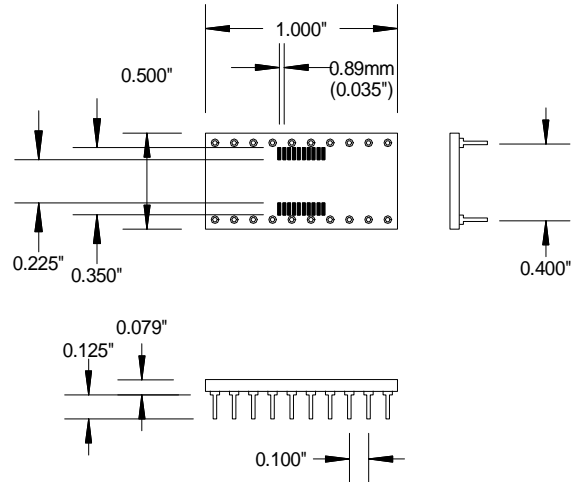
20 PIN WIDE SOIC TO DIP



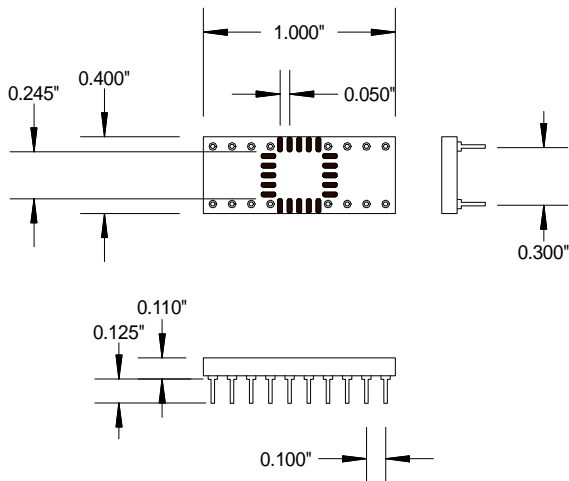
**AK20D300-HSOP**  
20 PIN HSOP TO DIP



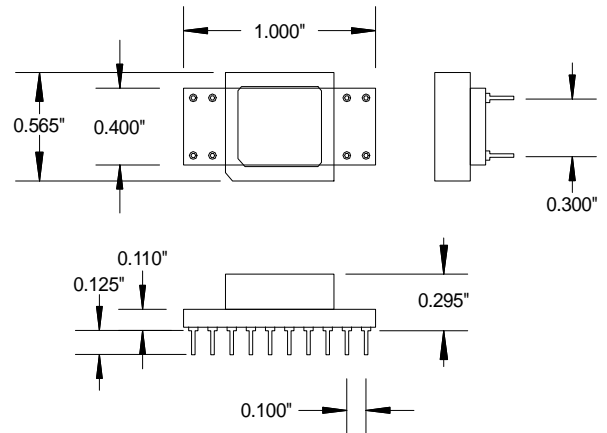
**AK20D400-SOIC .89mm**  
20 PIN .89mm PITCH SOIC TO DIP



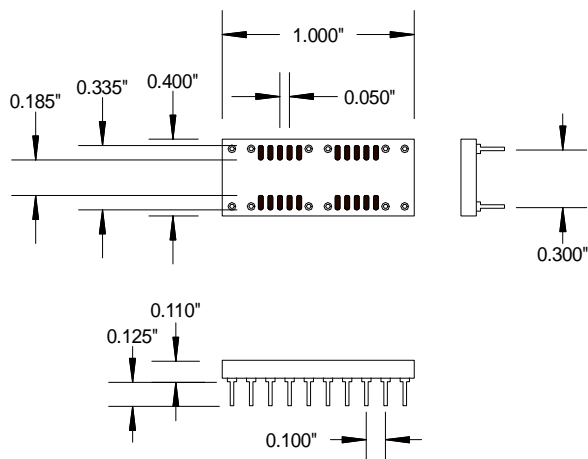
**AK20D300-PLCC**  
20 PIN PLCC TO DIP



**AK20DS300-PLCC**  
(with PLCC Socket included)  
20 PIN PLCC SOCKET TO DIP

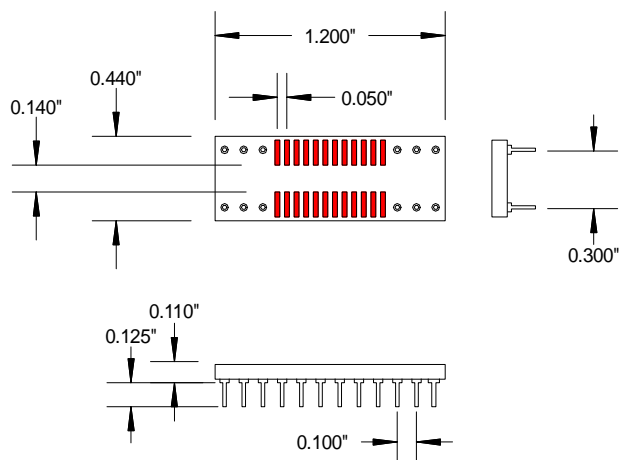


**AK20D300-SOJ**  
(for 1Meg & 4 Meg DRAMs)



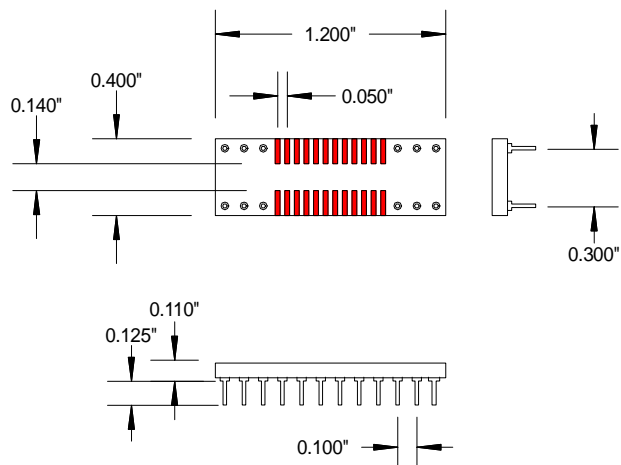
### AK24D300-SOIC

24 PIN SOIC TO DIP



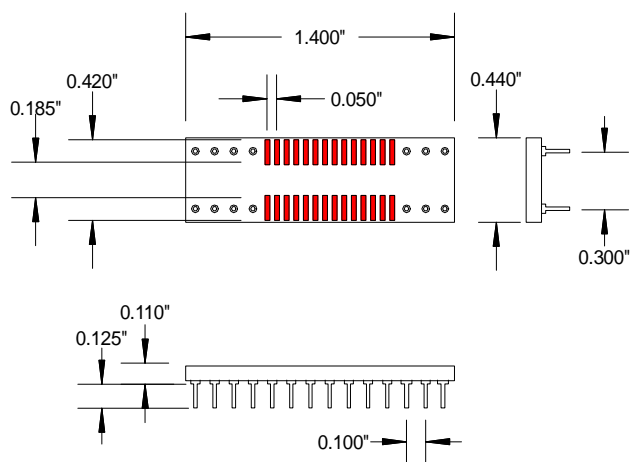
### AK24D300-SOJ

24 PIN SOJ TO DIP



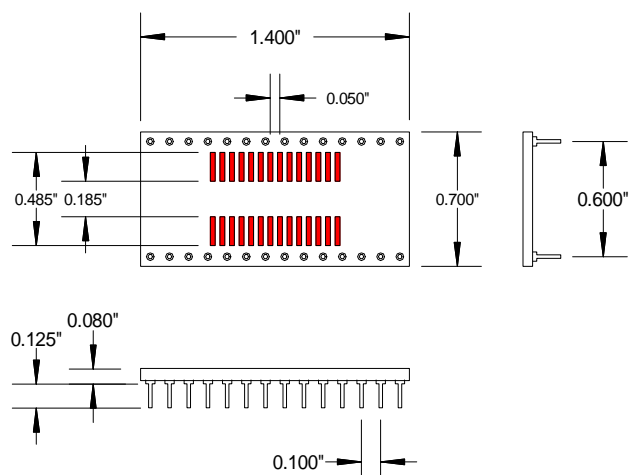
### AK28D300-SOIC

28 PIN SOIC TO DIP



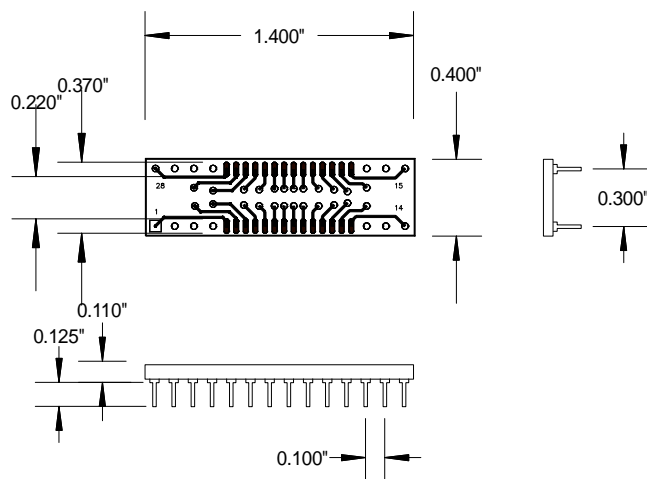
### AK28D600-SOIC/SOJ

28 PIN SOIC OR SOJ TO DIP



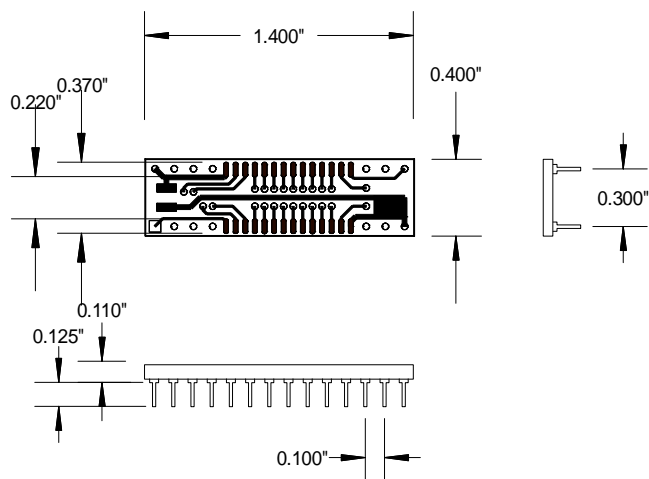
### AK28D300-SOJ

28 PIN SOJ TO .300" DIP

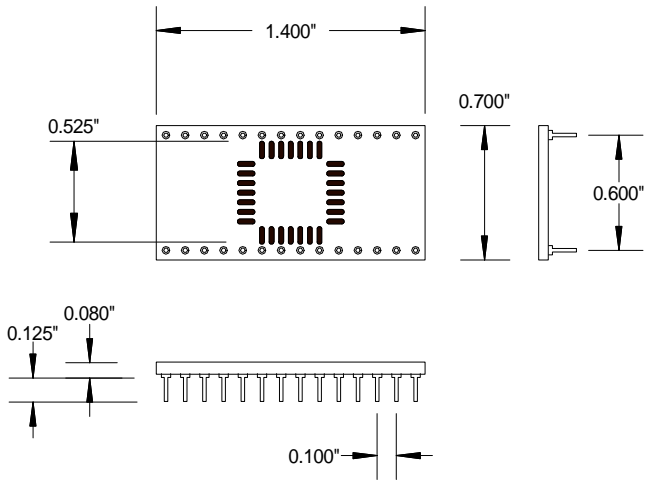


### AK28D300-SRAM

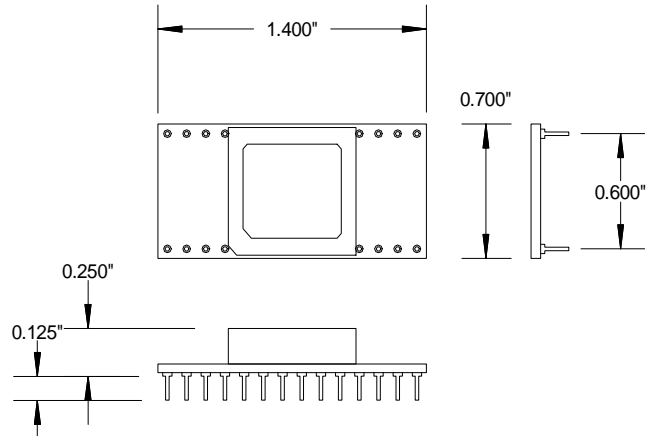
28 PIN SRAM-SOJ TO .300" DIP



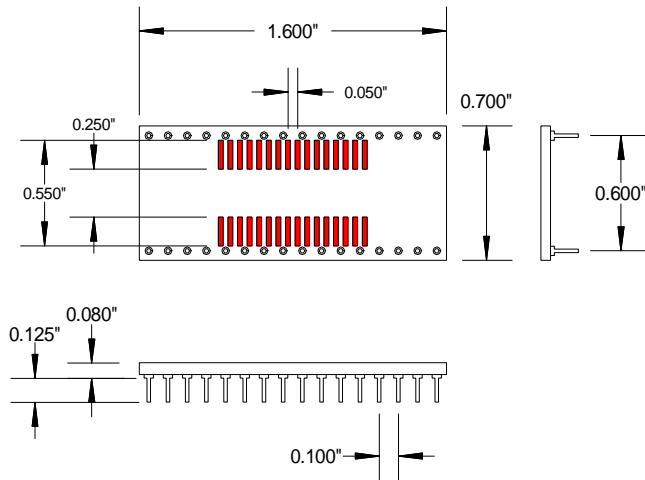
**AK28DW600-PLCC**  
28 PIN PLCC TO DIP (MACHINED PINS)



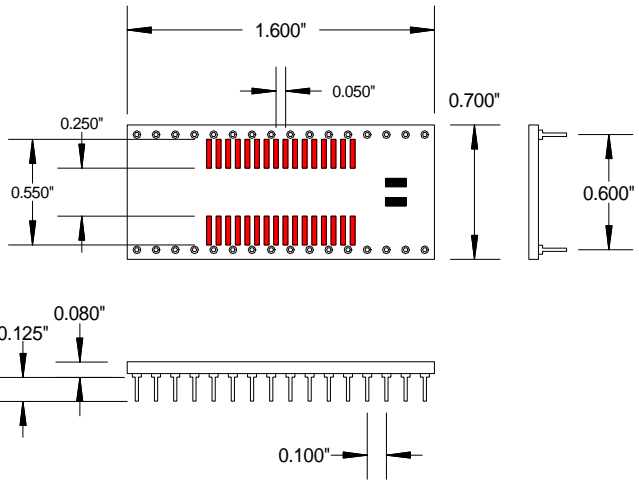
**AK28DS600-PLCC**  
(with PLCC Socket included)  
28 PIN SOJ SOCKET TO DIP



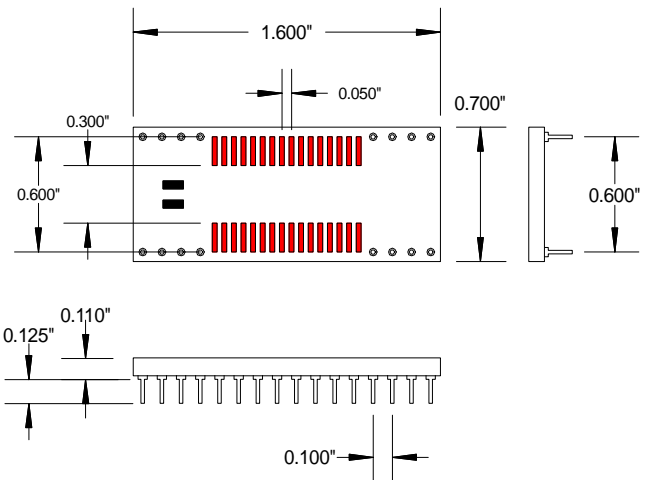
**AK32D600-SOIC-G**  
32 PIN SOIC TO DIP



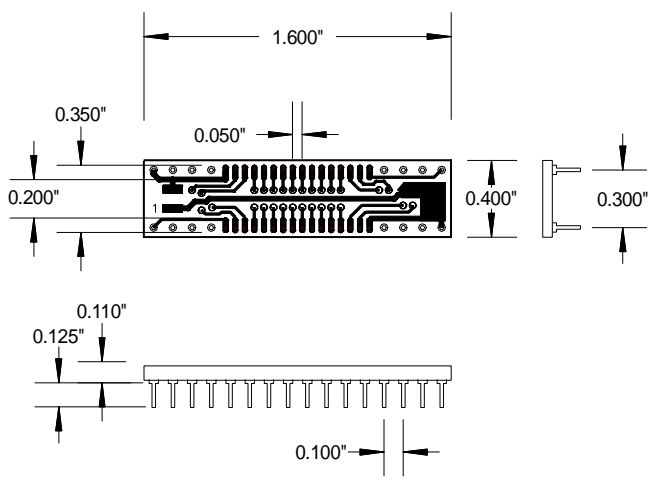
**AK32D600-SOIC**  
32 PIN SOIC OR TSOP2 TO DIP  
FOR 512K x 8 SRAM



**AK68128-512-D32**  
32 PIN SOIC TO DIP  
FOR 128K x 8 SRAM

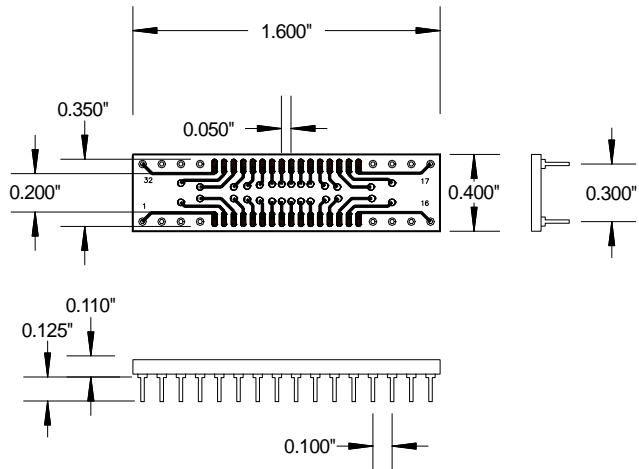


**AK32D300-SRAM**  
32 PIN SRAM-SOJ TO .300" DIP



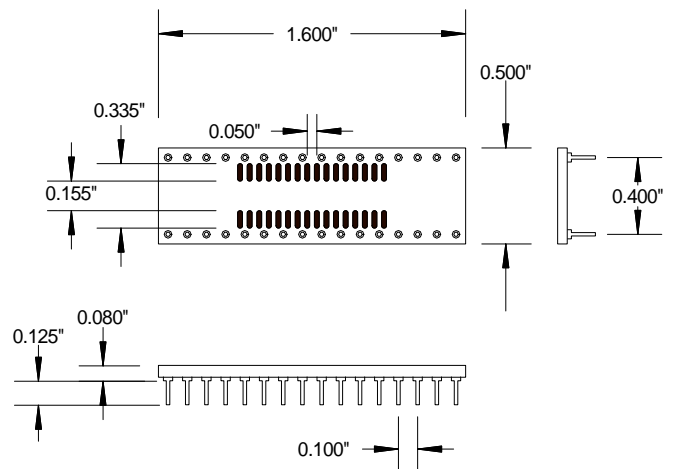
### AK32D300-S0J

32 PIN SOJ TO .300" DIP



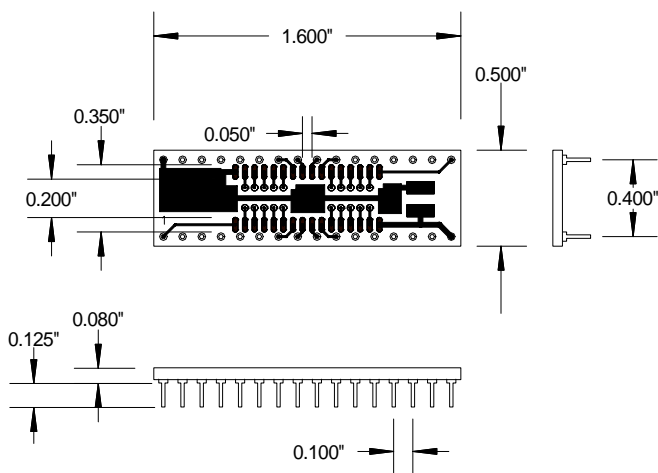
### AK32D400-SOJ

32 PIN SOJ TO .400" DIP



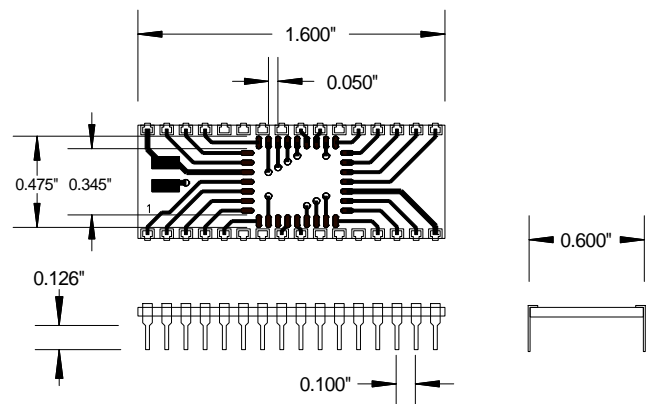
### AK32D400-SRAM

32 PIN SRAM-SOJ TO 0.400" DIP



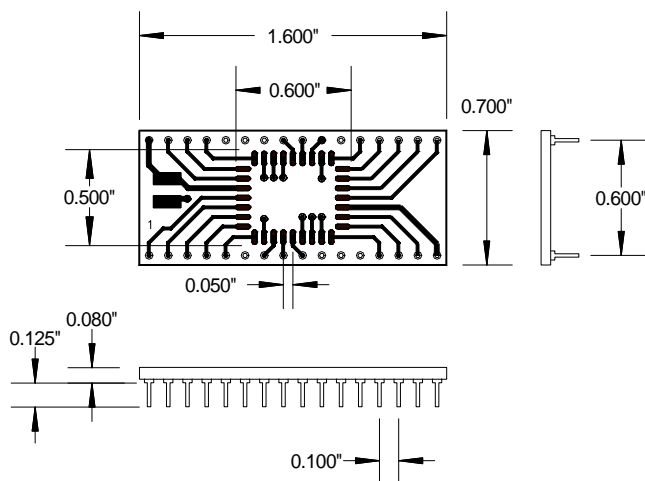
### AK32D600-PLCC

32 PIN PLCC TO DIP (FLAT PINS)



### AK32DW600-PLCC

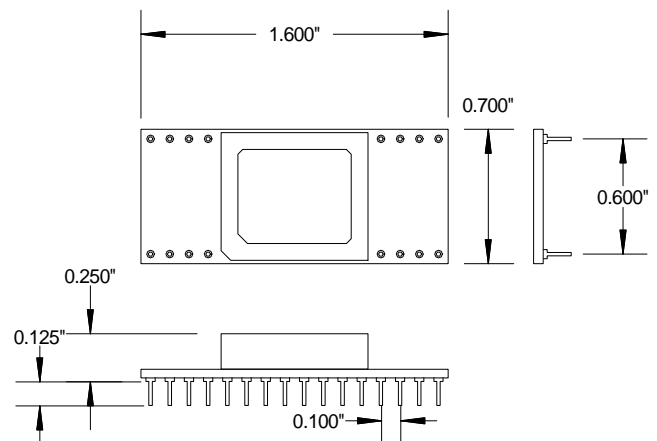
32 PIN PLCC TO DIP (MACHINED PINS)



### AK32DS600-PLCC

(with PLCC Socket included)

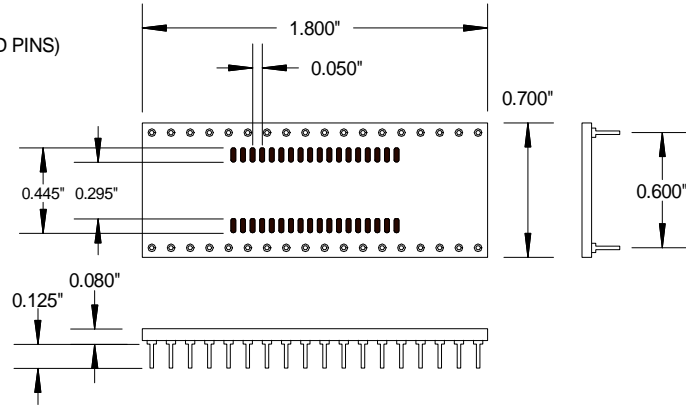
32 PIN PLCC SOCKET TO DIP





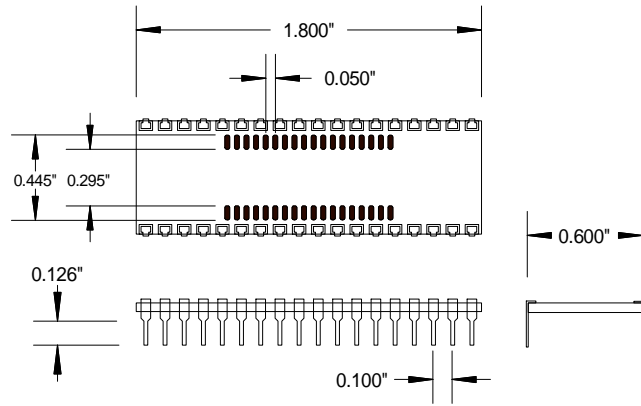
### AK36D600M-SOJ4

36 PIN 400MIL SOJ TO DIP (MACHINED PINS)



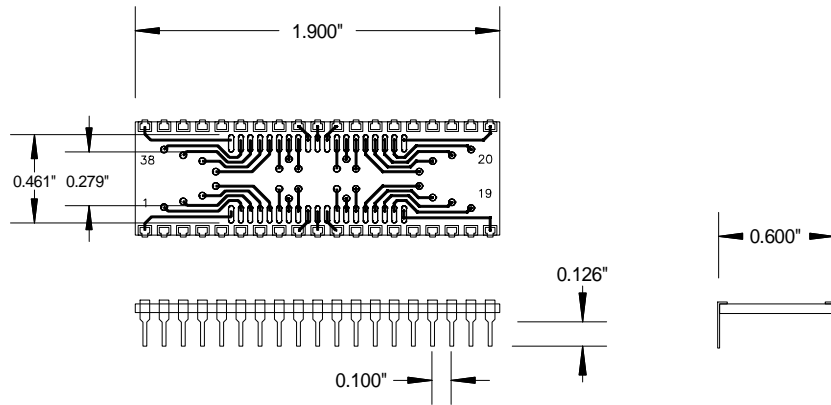
### AK36D600F-SOJ4

400 MIL SOJ  
TO 36 PIN DIP



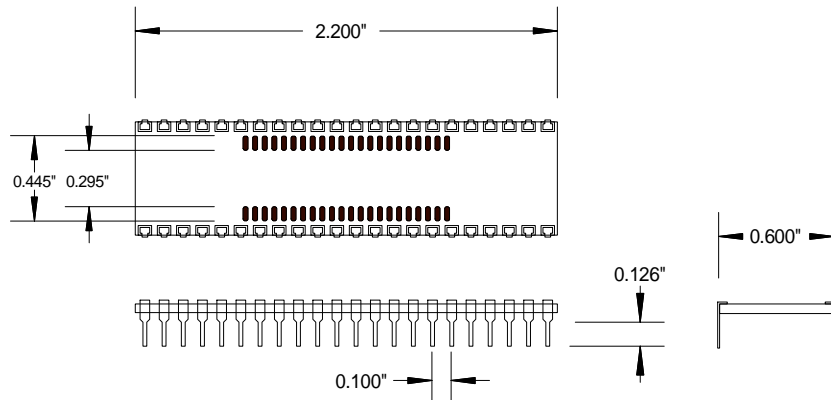
### AK38D600-SOJ4

400 MIL SOJ  
TO 38 PIN DIP



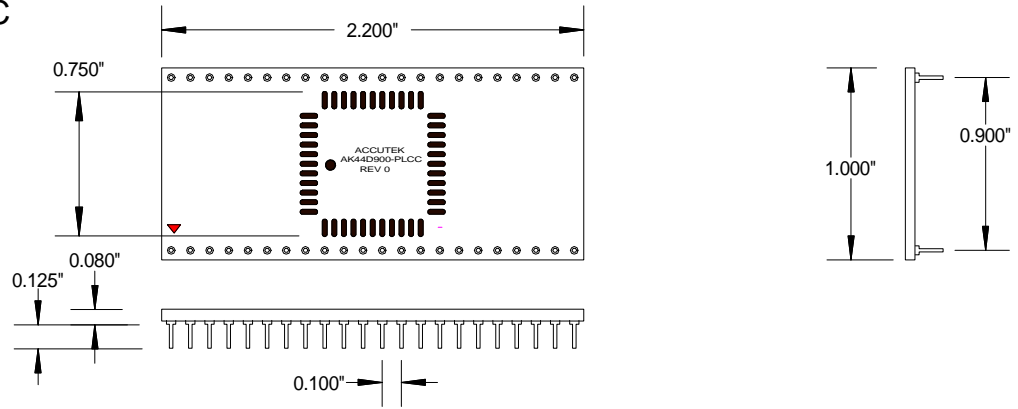
### AK44D600-SOJ

400 MIL SOJ  
TO 44 PIN DIP



### AK44D900-PLCC

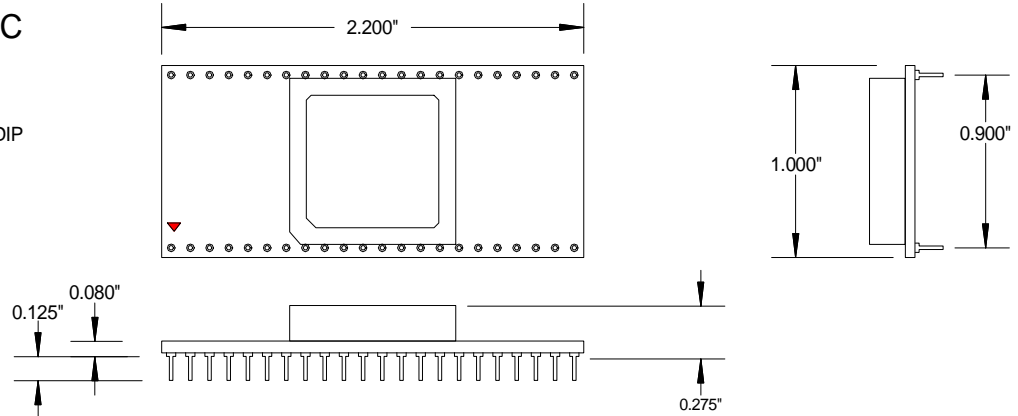
44 PIN PLCC TO DIP



### AK44DS900-PLCC

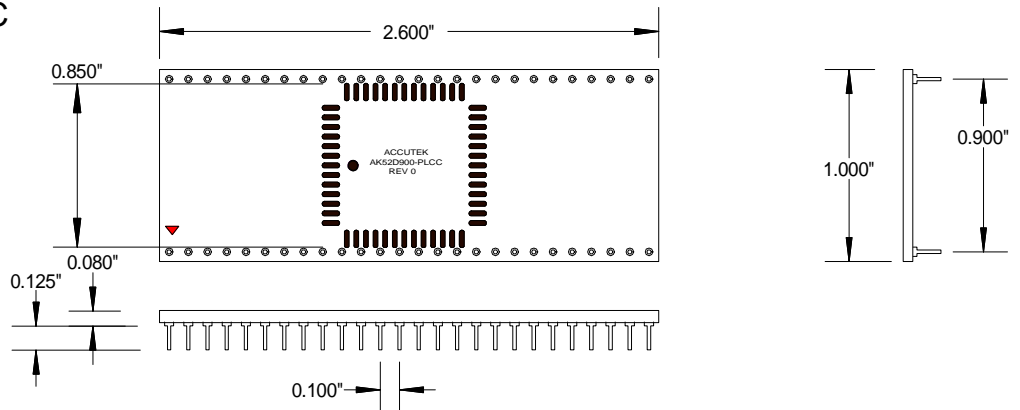
(with PLCC Socket included)

44 PIN PLCC SOCKET TO DIP



### AK52D900-PLCC

52 PIN PLCC TO DIP



### AK52DS900-PLCC

(with PLCC Socket included)

52 PIN PLCC SOCKET TO DIP

