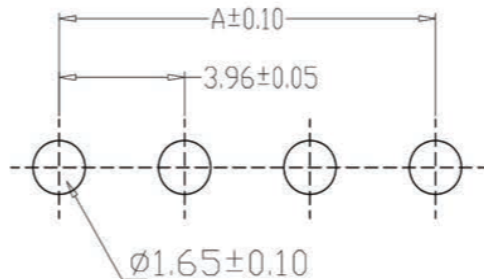
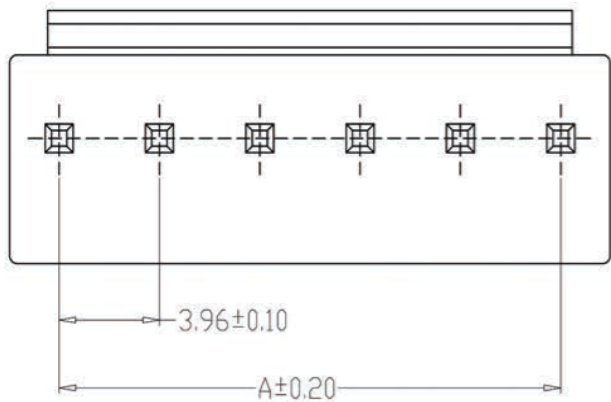


**SPECIFICATIONS**

- 1、Current Rating: 7A AC, DC
- 2、Voltage Rating: 250V AC, DC
- 3、Temperatuer Range: -25℃~+85℃
- 4、Contact Resistance: 20mΩ Max
- 5、Insulation Resistance: 1000MΩ Min
- 6、Withstanding Voltang: 1500V AC/minute
- 7、Material: Wafer Nylon66, UL94V-0  
PIN Brass Tin-plated



**PCB LAYOUT**

| 编号        | 尺寸 (mm) |       |
|-----------|---------|-------|
|           | A       | B     |
| A3961-02A | 3.96    | 7.92  |
| A3961-03A | 7.92    | 11.88 |
| A3961-04A | 11.88   | 15.84 |
| A3961-05A | 15.84   | 19.80 |
| A3961-06A | 19.80   | 23.76 |
| A3961-07A | 23.76   | 27.72 |
| A3961-08A | 27.72   | 31.68 |
| A3961-09A | 31.68   | 35.64 |
| A3961-10A | 35.64   | 39.60 |
| A3961-11A | 39.60   | 43.56 |
| A3961-12A | 43.56   | 47.52 |

| 制图<br>DRAWN | 变更内容<br>DESCRIPTION | 日期<br>DATE | GENEAL TOLERANCE |            | 制图<br>DRAWING  | 钱岳生<br>2013、07、01 | 料号<br>PART NO.    | A3961-NA               | 版本<br>REV.   | A                |
|-------------|---------------------|------------|------------------|------------|----------------|-------------------|-------------------|------------------------|--------------|------------------|
|             |                     |            | X.±0.25          | X.±2'      | 审核<br>CHECK    | 张名<br>2013、07、03  | 品名<br>TITLE       | VH直针<br>WAFER DIP TYPE | 页次<br>SHEET  | 1/1              |
|             |                     |            | .X±0.20          | .X'±1'     | 核准<br>APPROVAL | 张名<br>2013、07、05  | 客户料号<br>CUTM. NO. |                        |              |                  |
|             |                     |            | .XX±0.15         | .XX'±0.5'  | 单位<br>UNITS    | MM                | 比例<br>SCALE       | 1:1                    | 深圳市金航标电子有限公司 | WWW. BDS666. COM |
|             |                     |            | .XXX±0.10        | .XXX'±0.5' |                |                   |                   |                        | KH-VH-8P-Z   | 0755-83044319    |