

10BASE-T LAN MAGNETICS

Dual Transformer Modules

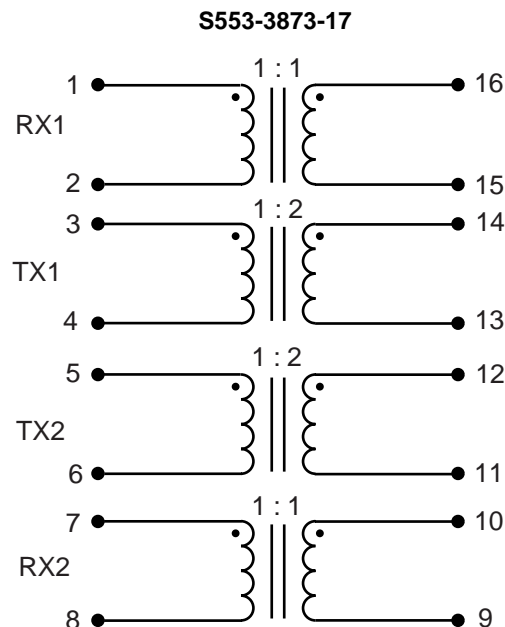
LM00503

- Dual designs for two-port configurations maximize space and cost efficiencies
- S556-5999-30 includes inductors for use with additional differential filtering
- Low profile, surface mount packaging rated to 225° C peak IR reflow temperature
- Operating temperature 0° to 70° C
- Minimum interwinding breakdown voltage of 1500 Vrms

ELECTRICAL SPECIFICATIONS AT 25° C

Part Number	Turns Ratio ±2%		Insertion Loss dB max	Return Loss dB min	Common to Common Mode Rejection dB min		Crosstalk dB min
	TX	RX			1MHz to 10MHz	30MHz to 100MHz	
S553-3873-17	1 : 2	1 : 1	-0.8	-20	---	---	-40
S553-5841-14	1CT : 1.41	1 : 1	-1.0	-15	-40	-30	-35
S556-5841-09	1CT : 1	1CT : 1	-1.0	-20	-40	-30	-40
S556-5999-30	1 : 2	1 : 1	-0.5	-20	---	---	-40

SCHEMATICS

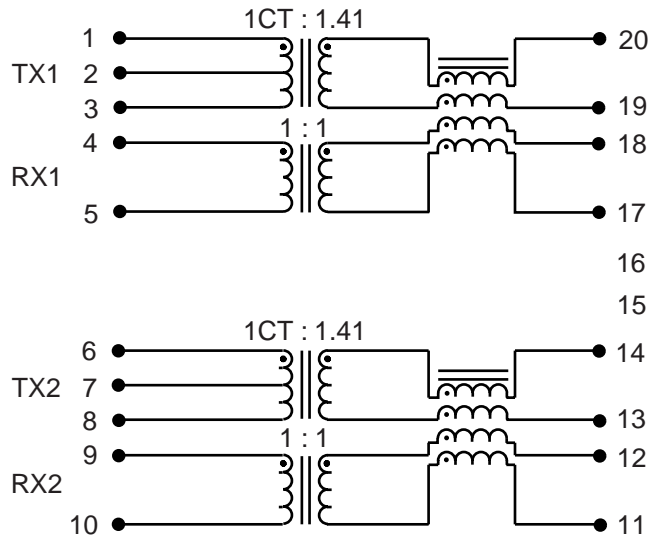


©2001 Bel Fuse Inc. Specifications subject to change without notice. 09.01

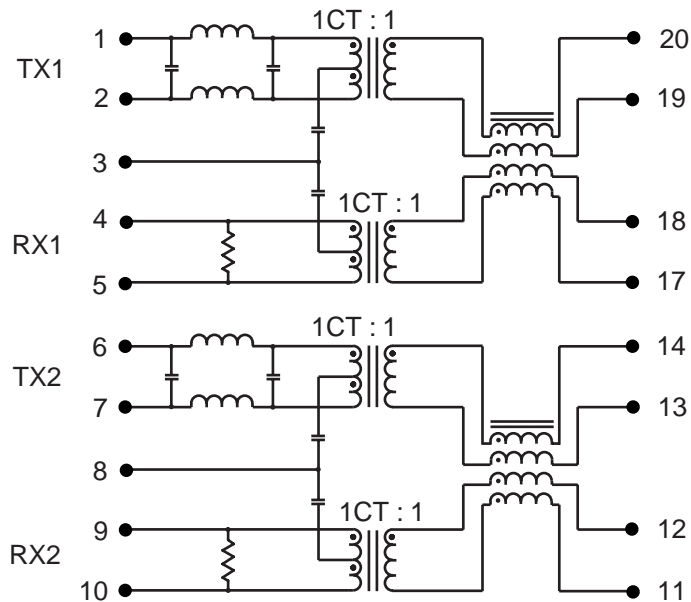
10BASE-T LAN MAGNETICS Dual Transformer Modules

SCHEMATICS

S553-5841-14



S556-5841-09



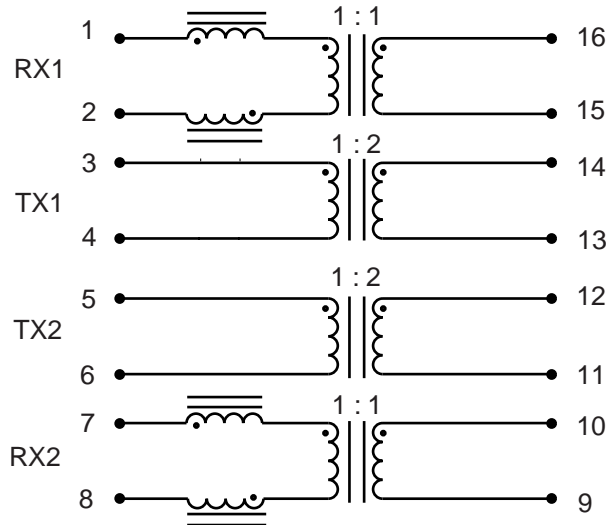
10BASE-T LAN MAGNETICS

Dual Transformer Modules

LM00503

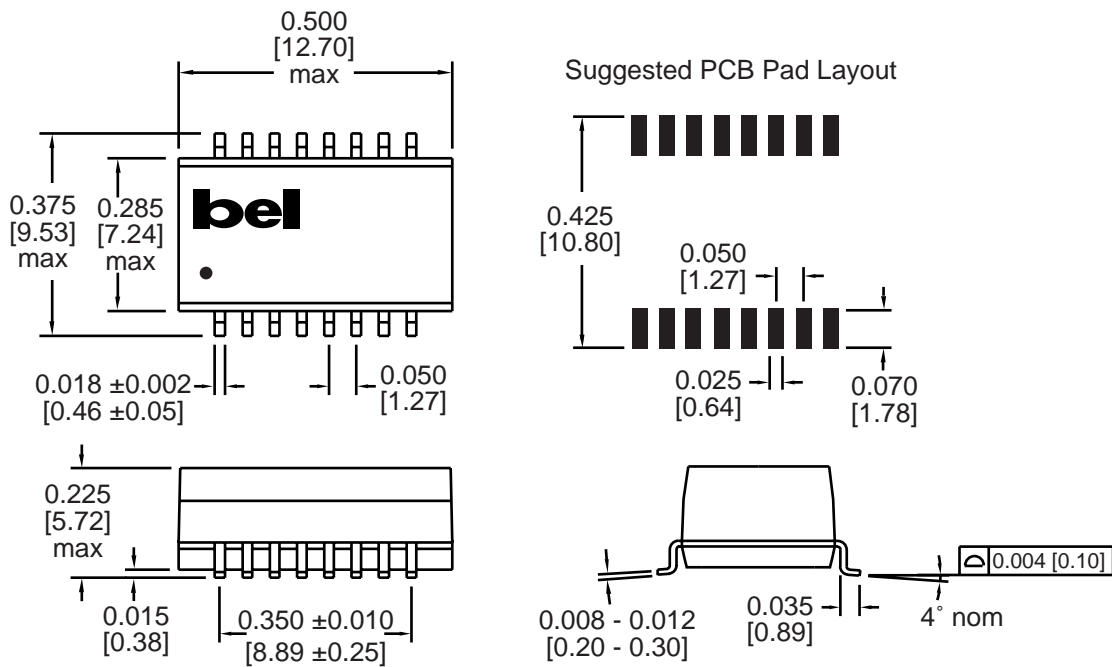
SCHEMATICS

S556-5999-30



MECHANICALS

S553-3873-17
S556-5999-30

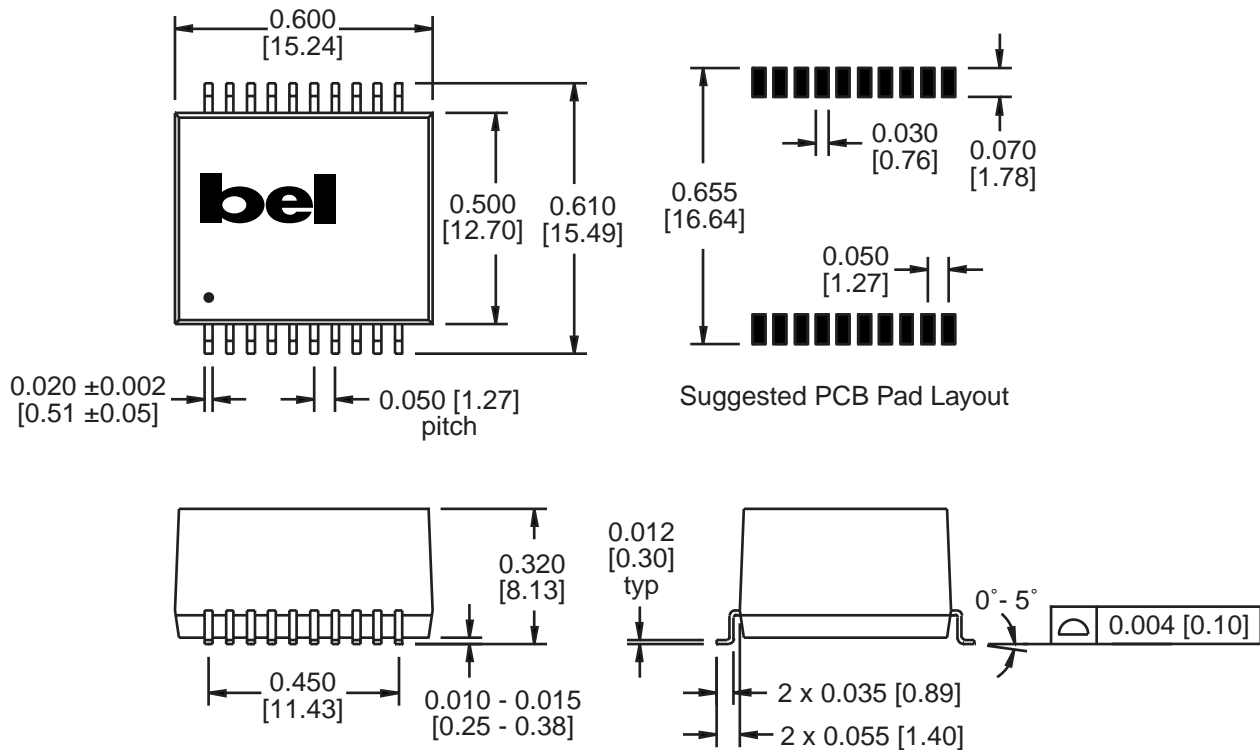


Dimensions are in inches [millimeters].

Standard dimension tolerance is ± 0.005 [0.13] unless otherwise noted.

MECHANICALS

S553-5841-14
S556-5841-09



Dimensions are in inches [millimeters].
Standard dimension tolerance is ± 0.010 [0.25] unless otherwise noted.

CORPORATE

Bel Fuse Inc.
206 Van Vorst Street
Jersey City, NJ 07302
Tel 201-432-0463
Fax 201-432-9542
www.belfuse.com

FAR EAST

Bel Fuse Ltd.
8F / 8 Luk Hop Street
San Po Kong
Kowloon, Hong Kong
Tel 852-2328-5515
Fax 852-2352-3706
www.belfuse.com

EUROPE

Bel Fuse Europe Ltd.
Preston Technology Management Centre
Marsh Lane, Suite G7, Preston
Lancashire, PR1 8UD, U.K.
Tel 44-1772-556601
Fax 44-1772-888366
www.belfuse.com